



PATENT PRODUCT

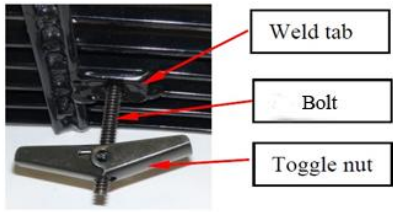
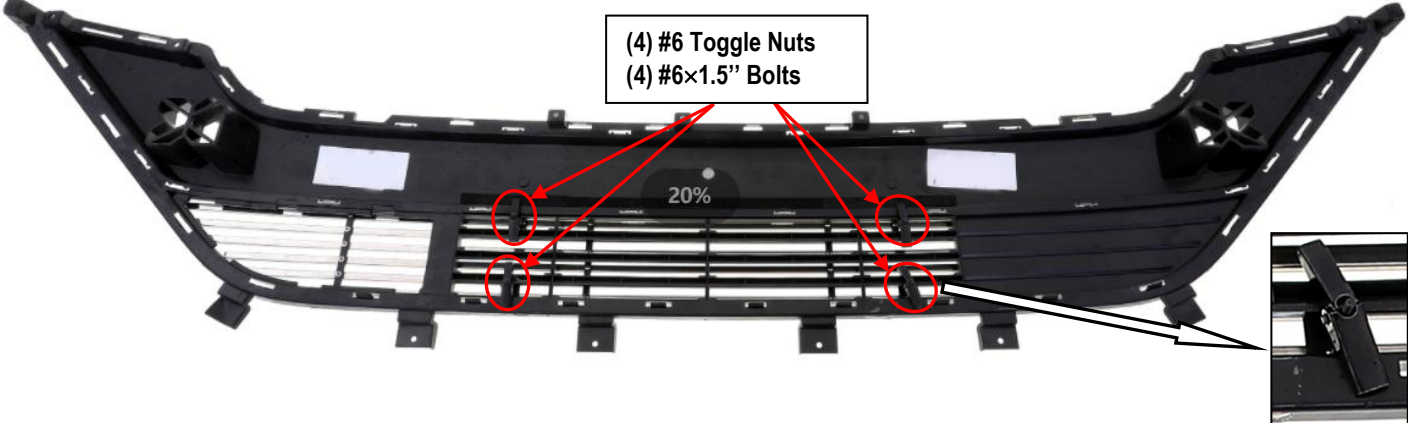

Grille Installation Instruction

Rev. 20230201

Part#	F65299C&J&S	Application	For 2018-UP Ford Expedition
--------------	-------------	--------------------	-----------------------------

Parts List	Item	Part Name	QTY	Description	Item	Part Name	QTY	Description
	#1	Billet Grille	1	Stainless Steel	#3	Toggle Nuts	4	#6
	#2	Bolts	4	#6x1.5"				

Install Notes: Overlay Replacement Drill Cut

Step	Description	illustration
1	Identify the grille & hardware with parts list.	
2	Optional: pop hood, remove the black plastic cover (on top of OEM grille) from vehicle. If you are still unable to access the rear, remove the grille shell according to factory manual.	
3	Insert the Bolt into the weld tab hole from front side of the billet grille.	<div style="display: flex; align-items: center;"> <div style="border: 1px solid black; padding: 5px; margin-right: 10px;"> picture for reference only; this is not actual grille </div>  </div>
4	Center the billet grille onto the OEM grille. Press & insert the toggle nuts on to the rear of the OEM grille through the gap.	
5	Make sure the insert is centered and tighten the hardware.	
6	Reinstall the plastic shroud with the fasteners removed in Step 2.	
7	Installation completed.	

The instruction here is for your reference only. We strongly recommend the professional installer for best result. We are not responsible for any damage caused by the installation. Thank you for choosing our product!