

iArmor[®]

iArmor[®] by APS

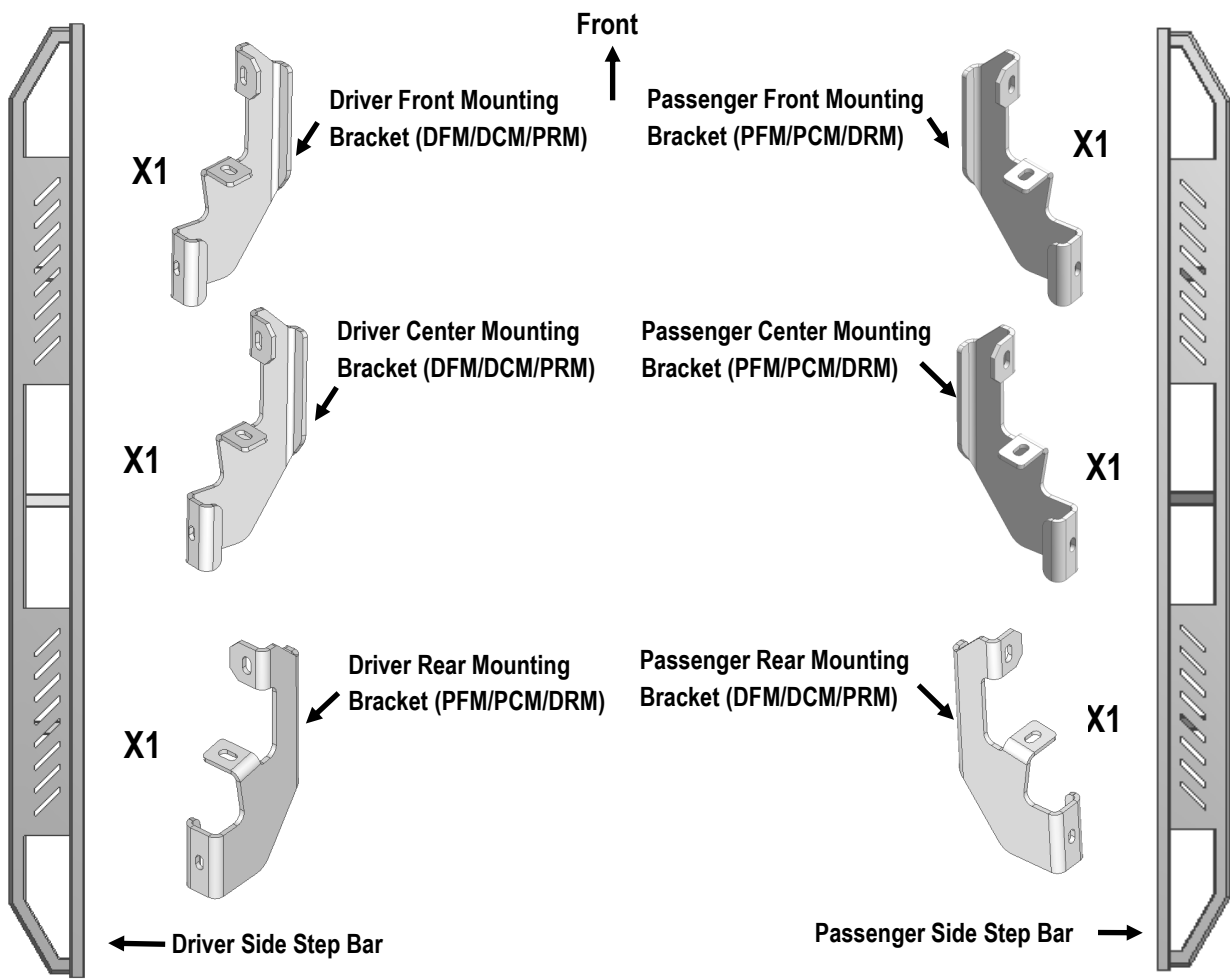
PART#: IA-S171

BEFORE INSTALLATION

REMOVE CONTENTS FROM BOX. VERIFY ALL PARTS ARE PRESENT. READ INSTRUCTIONS CAREFULLY BEFORE STARTING INSTALLATION. ASSISTANCE IS RECOMMENDED. THANK YOU FOR CHOOSING OUR PRODUCT!

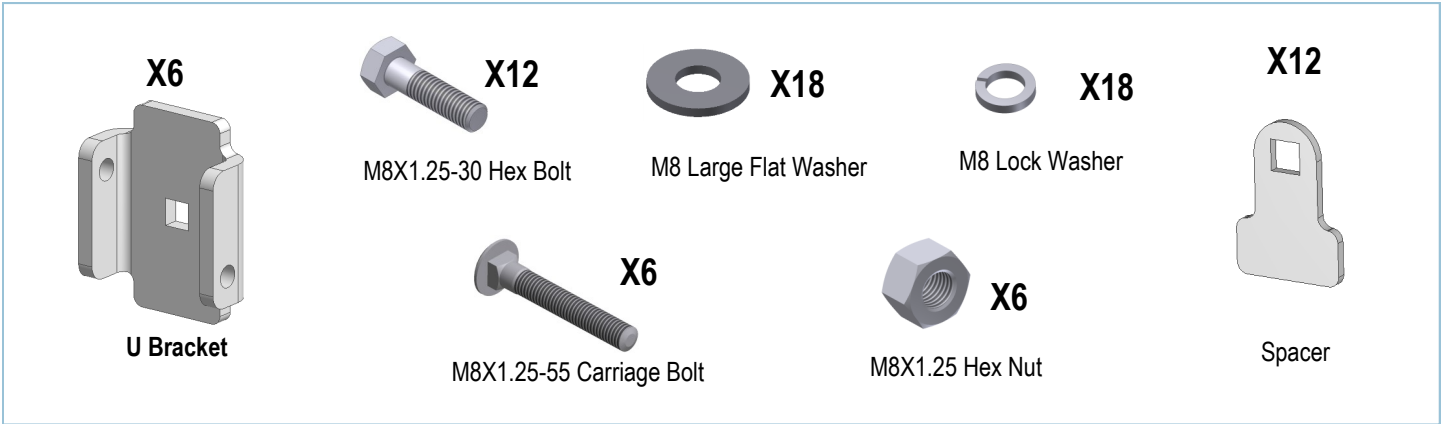
Fastener Size	Tightening Torque (ft-lbs)
6mm	6-7
8mm	16-18
10mm	31-32
12mm	56-58
14mm	92-94

PART LIST



Customer Support: info@iarmorauto.com

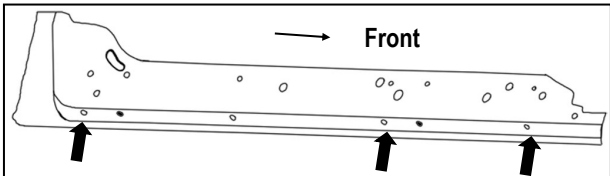
iArmor®



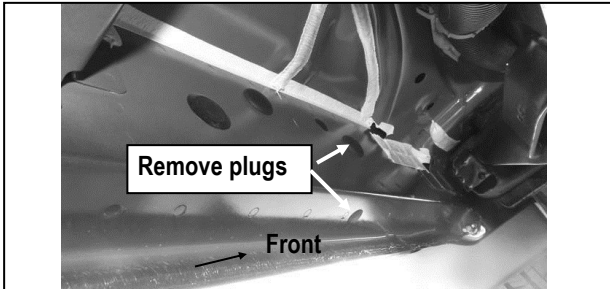
The instruction here is for your reference only. We strongly recommend the professional installer for best result. We are not responsible for any damage caused by the installation.

STEP 1

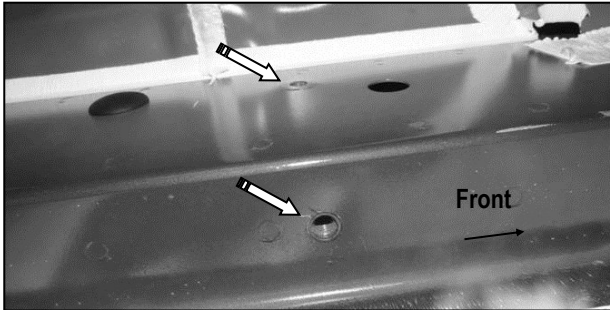
Start the installation under the driver side of the vehicle. Locate the 6 plugs along the bottom edge of the body. Mounting Brackets will bolt to the 1st, 3rd, and 6th threaded mounting holes, (Fig 1). Remove the plastic plugs from each mounting location. Directly above each threaded insert is a top mounting location on the side of the body panel. Hold a Bracket up in place to help determine the mounting holes to use along the body (Fig 2 -5). **NOTE: Thread (1) M8X1.25-30 Hex Bolt into the threaded inserts to clear paint as required.**



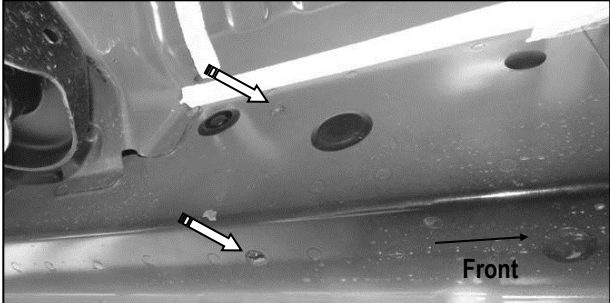
(Fig 1) Driver side Rocker Panel mounting locations



(Fig 2) Remove Plastic Plugs To Uncover Threaded Inserts

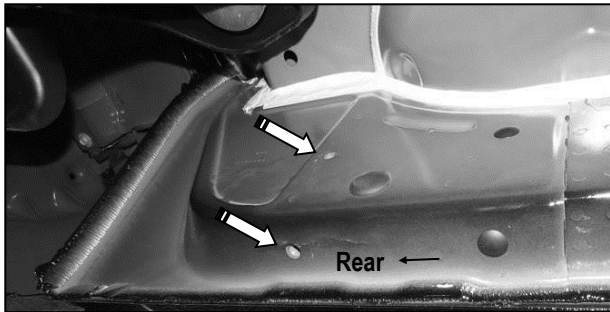


(Fig 3) Driver Side Front Mounting Location



(Fig 4) Driver Side Center Mounting Location

iArmor®



(Fig 5) Driver Side Rear Mounting Location

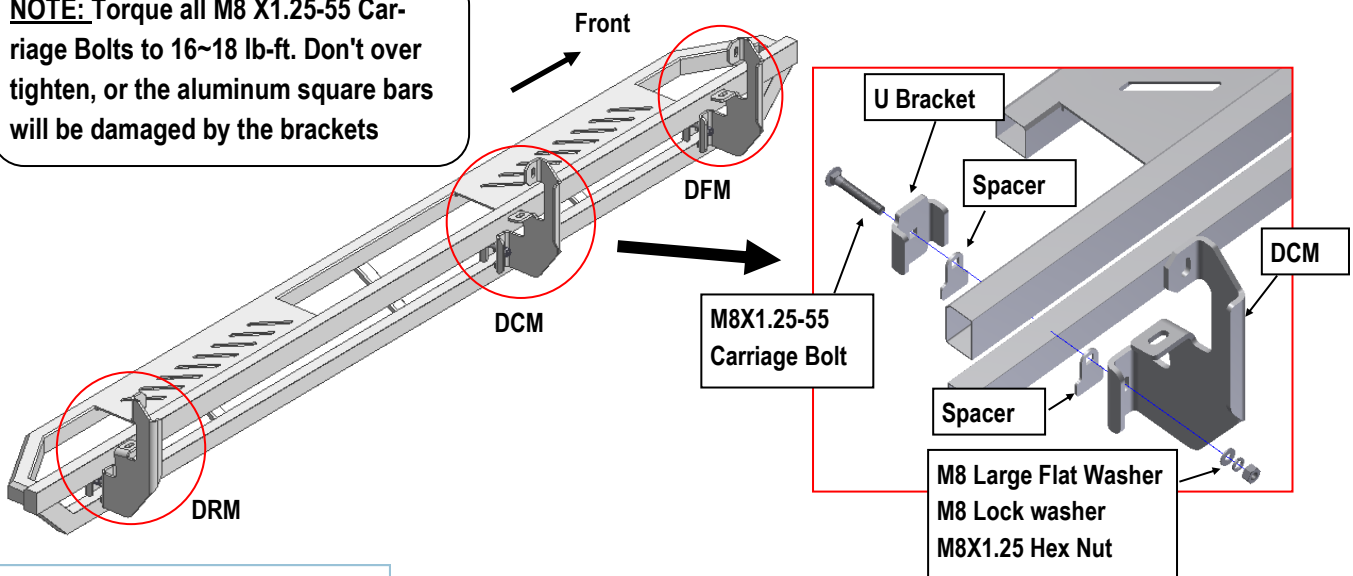
STEP 3

Repeat **Step 2** to install the remaining Driver Center and Driver Rear Mounting Brackets on the driver side mounting locations along the body panel.

STEP 4

Once all (3) driver side mounting brackets are installed, select and attach the Driver Side Step Bar onto the Mounting Brackets with (3) U Brackets, (6) Spacers, (3) M8X1.25-55 Carriage Bolts, (3) M8 Large Flat Washers, (3) M8 Lock Washers and (3) M8X1.25 Hex Nuts (**Fig 7**). Do not fully tighten hardware at this time.

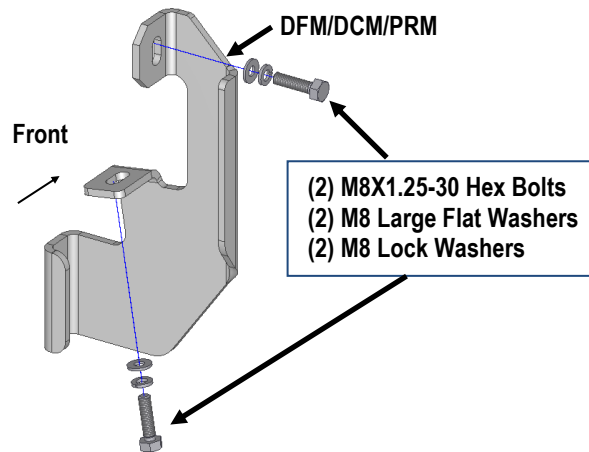
NOTE: Torque all M8 X1.25-55 Carriage Bolts to 16~18 lb-ft. Don't over tighten, or the aluminum square bars will be damaged by the brackets



(Fig 7) Driver Side Step Bar Installed

STEP 2

Select (1) Driver Front Mounting Bracket. Bolt the bracket to the factory threaded holes on Driver Side Front Mounting Location with (2) M8X1.25-30 Hex Bolts, (2) M8 Lock Washers and (2) M8 Large Flat Washers, (**Fig 6**). Do not fully tighten.



(Fig 6) Driver Front Mounting Bracket Installed

iArmor[®]

STEP 5

Properly level and adjust the Step Bar and fully tighten all hardware.

STEP 6

Move to the passenger side of the vehicle. Repeat **Steps 1-5** to install passenger side step bar.

Installation completed (**Fig 8**).



(Fig 8) Installation Completed

Attention

Do periodic inspections to the installation to make sure that all hardware is secure and tight.

In order to protect your bars/boards, please use only mild soap/non-abrasive products for cleaning.