

iArmor[®]

iArmor[®] by APS

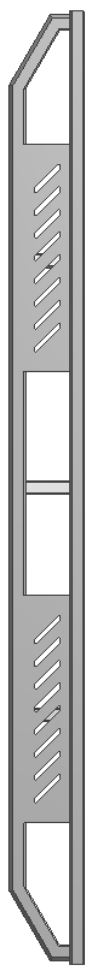
PART#: IA-S912

BEFORE INSTALLATION

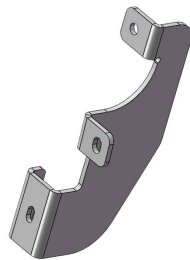
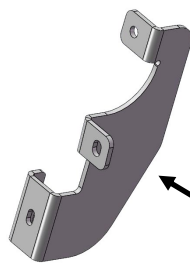
REMOVE CONTENTS FROM BOX. VERIFY ALL PARTS ARE PRESENT. READ INSTRUCTIONS CAREFULLY BEFORE STARTING INSTALLATION. ASSISTANCE IS RECOMMENDED. THANK YOU FOR CHOOSING OUR PRODUCT!

Fastener Size	Tightening Torque (ft-lbs)
6mm	6-7
8mm	16-18
10mm	31-32
12mm	56-58
14mm	92-94

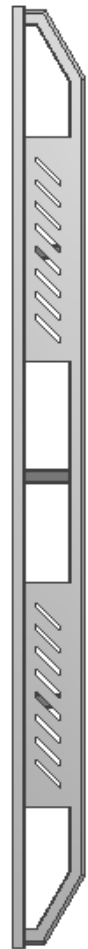
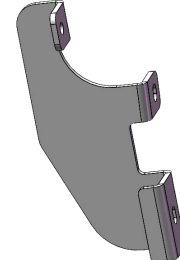
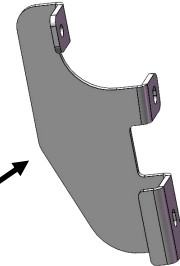
PART LIST



Driver Side Step Bar



Mounting Bracket



Passenger Side Step Bar

* All (4) Mounting Brackets are Universal.

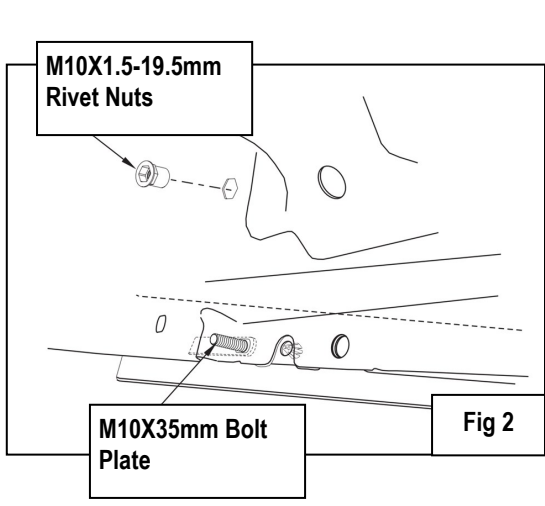
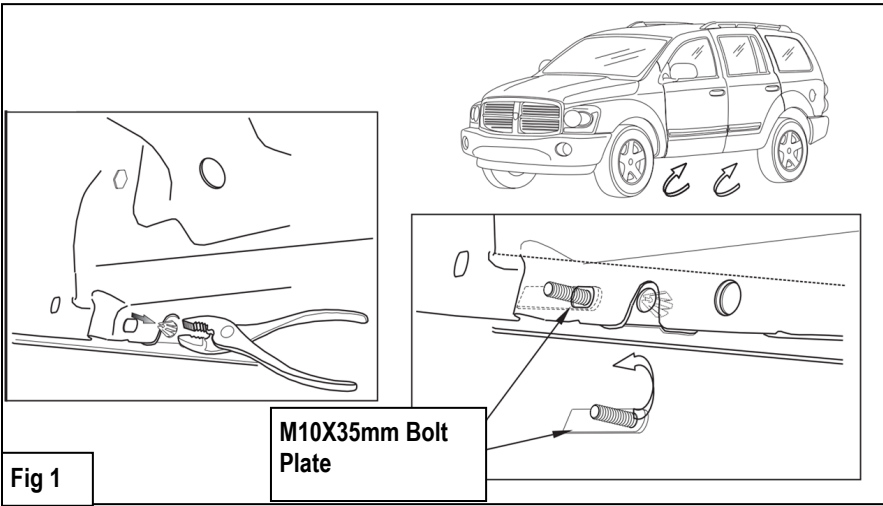
iArmor®



The instruction here is for your reference only. We strongly recommend the professional installer for best result. We are not responsible for any damage caused by the installation.

STEP 1

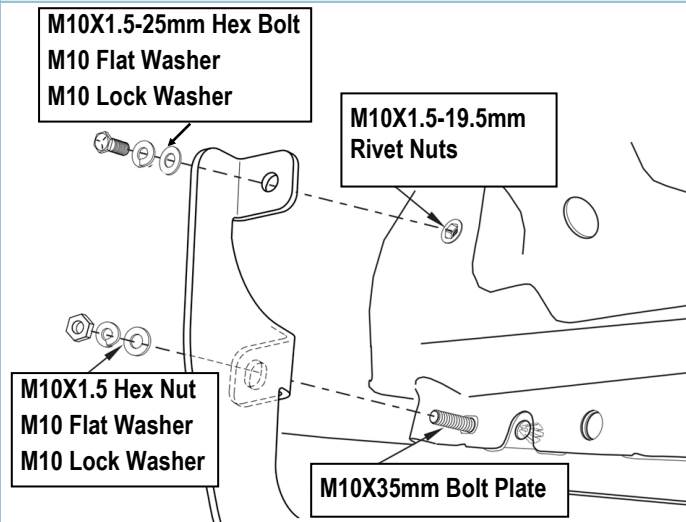
Start from driver side. Separate trim from rocker panel and insert M10x35mm Bolt Plate as shown. Leave loose. (Fig 1 & 2). Insert M10X1.5-19.5mm Rivet Nuts as shown. (Fig 2).



iArmor®

STEP 2

Attach (1) Mounting Bracket with (1) M10X1.5-25mm Hex Bolt, (2) M10 Flat Washers, (2) M10 Lock Washers and (1) M10X1.5 Hex Nut, (Fig 3). Do not fully tighten hardware at this time.



(Fig 3) Driver Front Mounting Bracket Installation Pictured

STEP 3

Tighten top bolt to crimp Rivet Nut until increased resistance is felt. Verify M10X1.5-19.5mm Rivet Nut is not loose in hole, otherwise re-tighten. Hole M10x35mm Bolt Plate parallel to rocker panel and tighten bottom nut. Re-attach trim panel as shown. (Fig 4).

Repeat Steps 1-3 for driver side rear bracket installation.

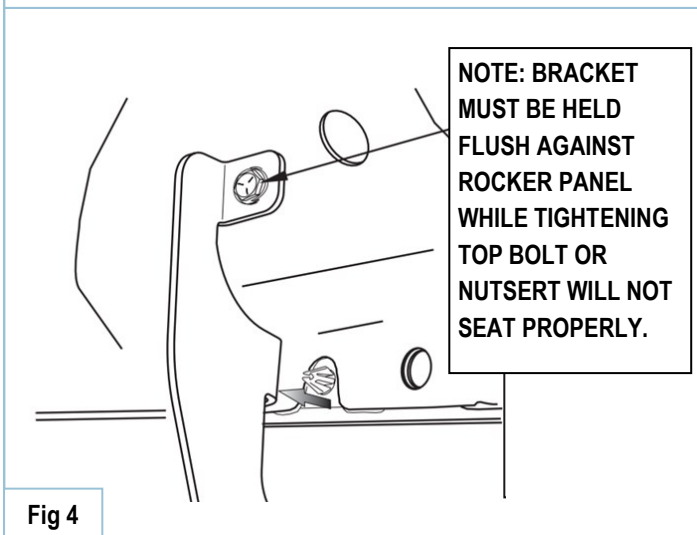
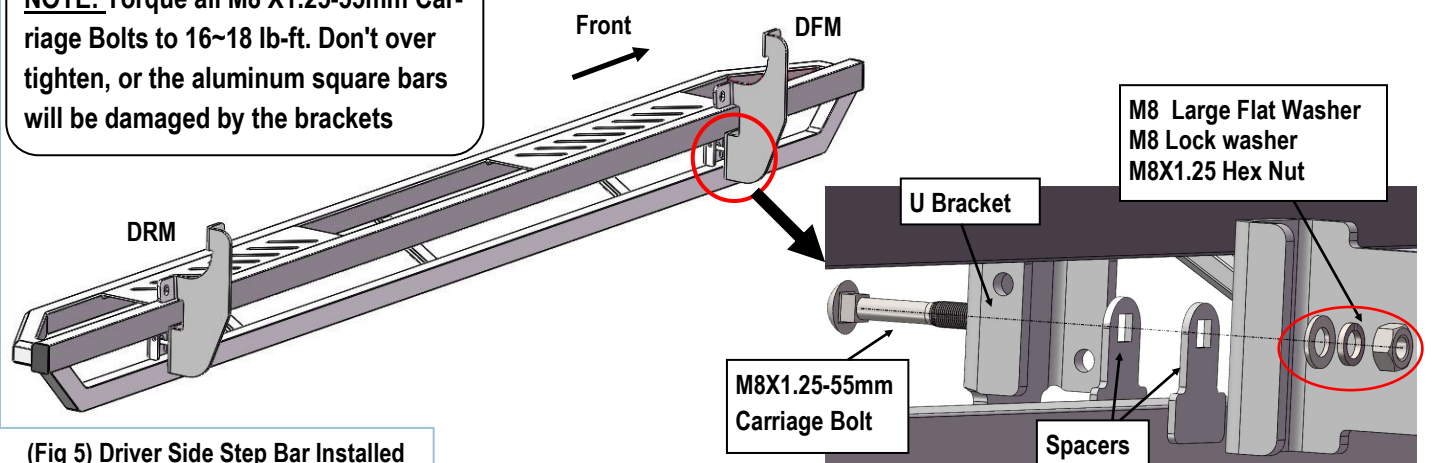


Fig 4

STEP 4

Once all (2) driver side mounting brackets are installed, select and attach the Driver Side Step Bar onto the Mounting Brackets with (2) U Brackets, (4) Spacers, (2) M8X1.25-55mm Carriage Bolts, (2) M8 Large Flat Washers, (2) M8 Lock Washers and (2) M8X1.25 Hex Nuts (Fig 5). Do not fully tighten hardware at this time.

NOTE: Torque all M8 X1.25-55mm Carriage Bolts to 16~18 lb-ft. Don't over tighten, or the aluminum square bars will be damaged by the brackets



(Fig 5) Driver Side Step Bar Installed

iArmor[®]

STEP 5

Properly level and adjust the Step Bar and fully tighten all hardware.

STEP 6

Move to the passenger side of the vehicle. Repeat **Steps 1-5** to install passenger side step bar.

Installation completed (**Fig 6**).



(Fig 6) Installation Completed

Attention

Do periodic inspections to the installation to make sure that all hardware is secure and tight.

In order to protect your bars/boards, please use only mild soap/non-abrasive products for cleaning.