

# iArmor<sup>®</sup>

## iArmor<sup>®</sup> by APS

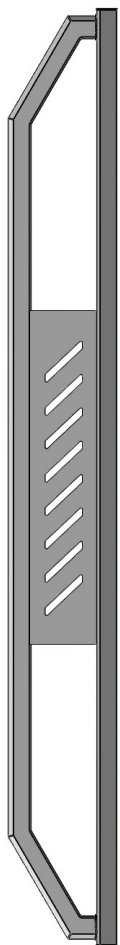
PART#: IA-S189

### BEFORE INSTALLATION

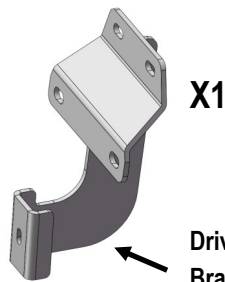
REMOVE CONTENTS FROM BOX. VERIFY ALL PARTS ARE PRESENT. READ INSTRUCTIONS CAREFULLY BEFORE STARTING INSTALLATION. ASSISTANCE IS RECOMMENDED. THANK YOU FOR CHOOSING OUR PRODUCT!

Fastener Size	Tightening Torque (ft-lbs)
6mm	6-7
8mm	16-18
10mm	31-32
12mm	56-58
14mm	92-94

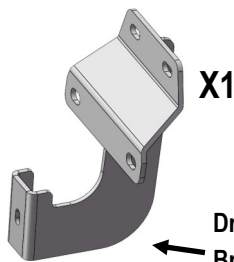
### PART LIST



Driver Side Step Bar

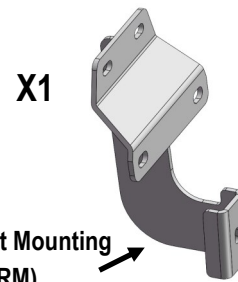


Driver Front Mounting Bracket (DFM/PRM)

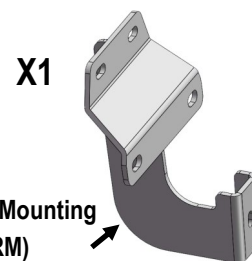


Driver Rear Mounting Bracket (PFM/DRM)

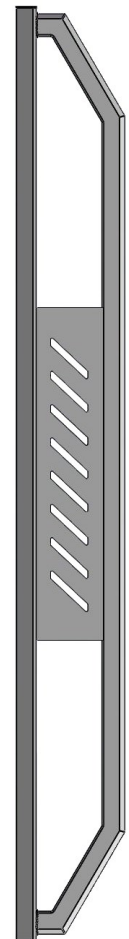
Front  
↑



Passenger Front Mounting Bracket (PFM/DRM)



Passenger Rear Mounting Bracket (DFM/PRM)



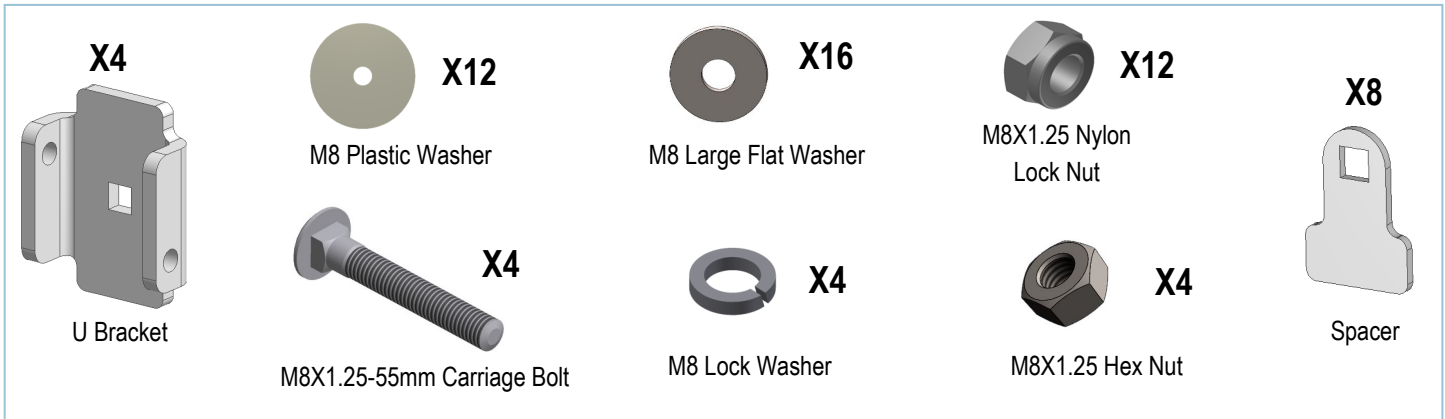
Passenger Side Step Bar

\*Driver Front Mounting Bracket and Passenger Rear Mounting Bracket are Universal.

\*Passenger Front Mounting Bracket and Driver Rear Mounting Bracket are Universal.

Customer Support: [info@iarmorauto.com](mailto:info@iarmorauto.com)

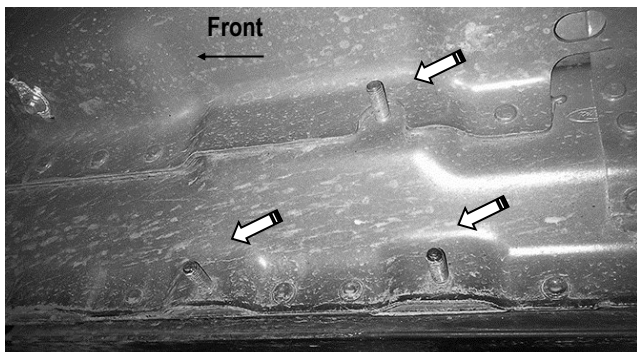
# iArmor®



The instruction here is for your reference only. We strongly recommend the professional installer for best result. We are not responsible for any damage caused by the installation.

## STEP 1

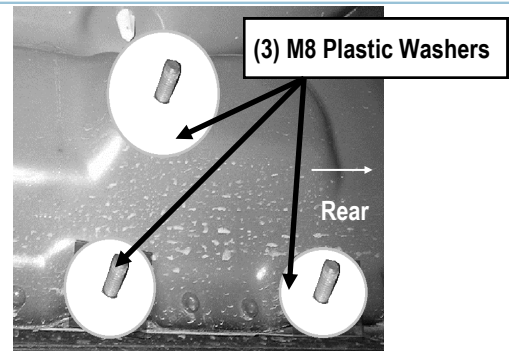
Start the installation under the passenger side of the vehicle. Locate the front factory running board mounting location along the inner side of the body, (Fig 1).



(Fig 1) Passenger Front Mounting Bracket Location

## STEP 2

Slide M8 Plastic Washers over each factory mounting stud in the body panel, (Fig 2). **IMPORTANT:** The Plastic Washers are designed to prevent corrosion between the aluminum body panel and the steel mounting brackets. **Do not install the Brackets without the Plastic Washers.**

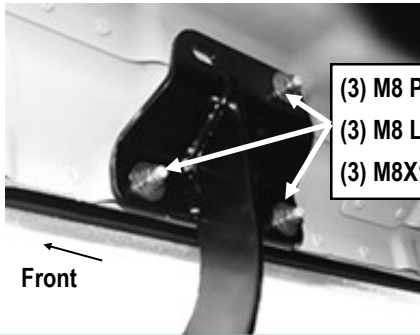


(Fig 2) Thread Plastic Washers Onto 3 Mounting Studs. Passenger Side Front Mounting Location Pictured

## STEP 3

Select Passenger Front Mounting Bracket. **Note: Passenger Front Mounting Bracket and Driver Rear Mounting Bracket are Universal.** Attach the Mounting Bracket to the (3) factory studs with (3) M8 Large Flat Washers and (3) M8X1.25 Nylon Lock Nuts, (Fig 3). Snug but do not fully tighten the hardware.

# iArmor®



(Fig 3) Passenger Front Mounting Bracket Installed

## STEP 4

Repeat **Steps 1-3** to install the Passenger Rear Mounting Bracket.

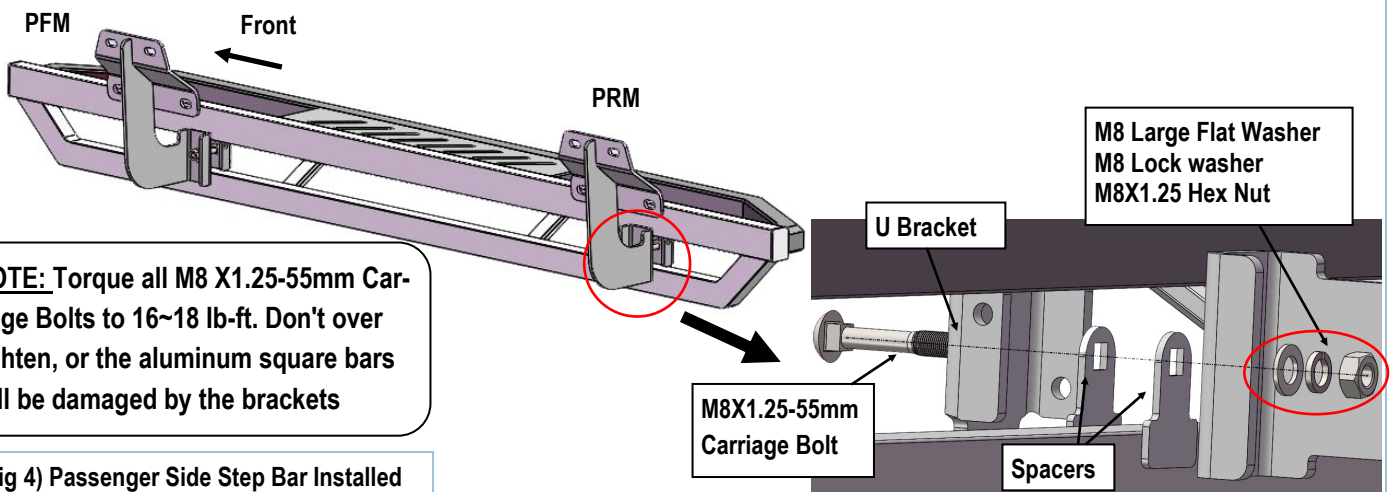
## STEP 5

Once all (2) passenger side mounting brackets are installed, select and attach the Passenger Side Step Bar onto the Mounting Brackets with (2) U Brackets, (4) Spacers, (2) M8X1.25-55mm Carriage Bolts, (2) M8 Large Flat Washers, (2) M8 Lock Washers and (2) M8X1.25 Hex Nuts, (**Fig 4**). Do not fully tighten hardware at this time. Properly level and adjust the Step Bar and fully tighten all hardware.

## STEP 6

Move to the driver side of the vehicle. Repeat **Steps 1-5** to install driver side step bar.

Installation completed (**Fig 5**).



(Fig 4) Passenger Side Step Bar Installed



(Fig 5) Installation Completed

### Attention

Do periodic inspections to the installation to make sure that all hardware is secure and tight.

In order to protect your bars/boards, please use only mild soap/non-abrasive products for cleaning.