

## IARMOR EDGE™

PART#: IA-N352

### BEFORE INSTALLATION

REMOVE CONTENTS FROM BOX. VERIFY ALL PARTS ARE PRESENT. READ INSTRUCTIONS CAREFULLY BEFORE STARTING INSTALLATION. ASSISTANCE IS RECOMMENDED. THANK YOU FOR CHOOSING OUR PRODUCT!

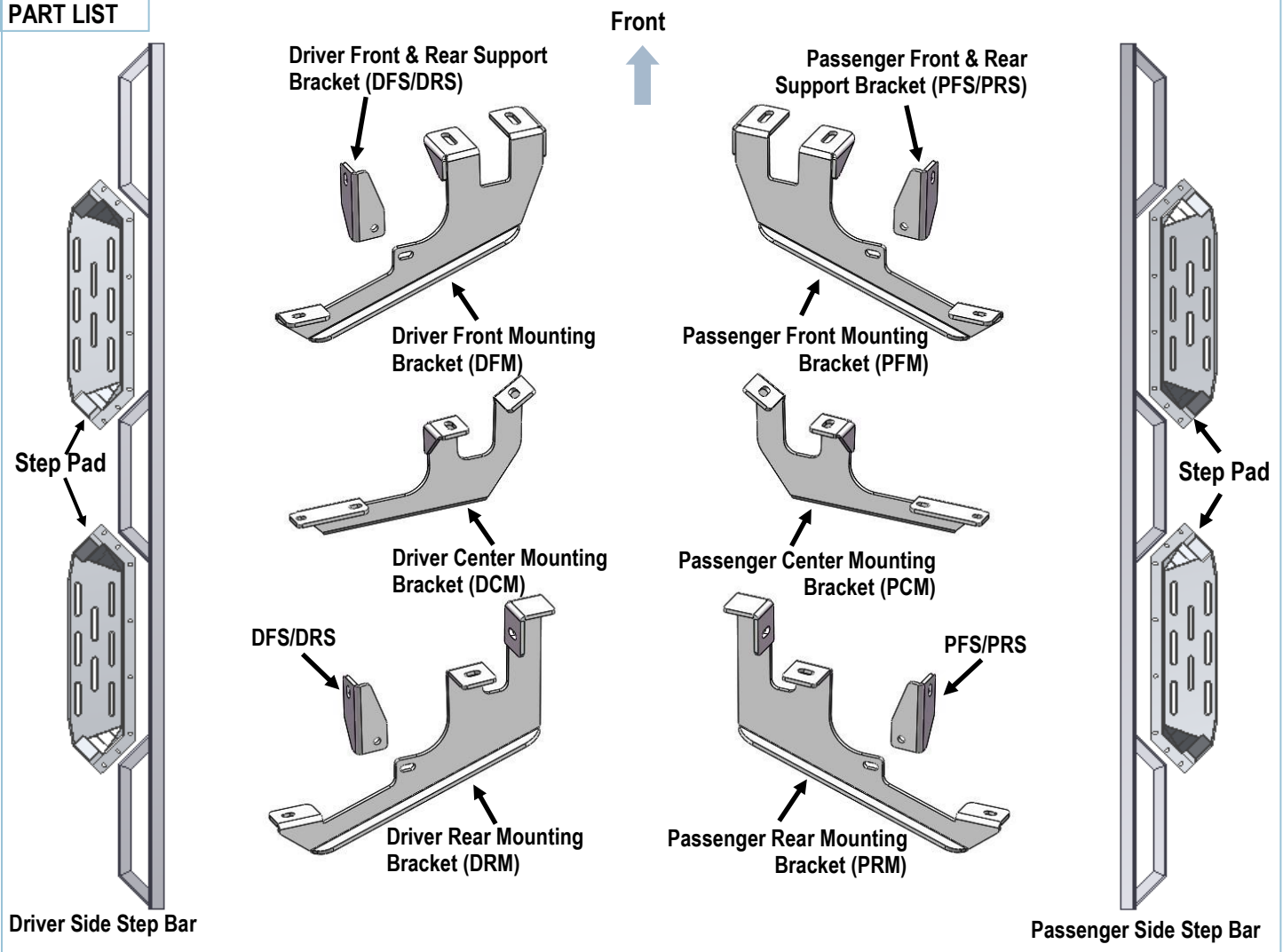
\*DRILLING NOT REQUIRED

\*TRIMMING NOT REQUIRED

### Torque Value

Fastener Size	Tightening Torque (ft-lbs)	Required
6mm	6-7	√
8mm	16-18	√
10mm	31-32	X
12mm	56-58	X
14mm	92-94	X

### PART LIST



Customer Support: [info@iarmorauto.com](mailto:info@iarmorauto.com)

# iArmor®



**X12**

M8X1.25-25mm  
Hex Bolt



**X20**

M8 Flat Washer



**X16**

M8 Lock Washer



**X4**

M8X1.25-30mm  
Hex Bolt



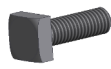
**X4**

M8 Hex Nut



**X36**

M6X1-20mm T-Bolt



**X8**

M6X1-20mm Square  
Head Bolt



**X44**

M6 Large Flat Washer



**X44**

M6 Nylon Lock Nut

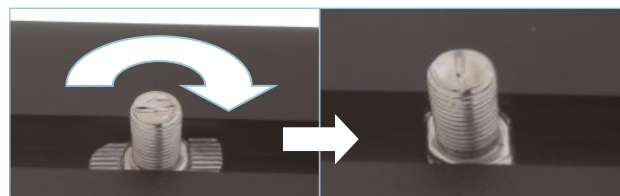
The instruction here is for your reference only. We strongly recommend the professional installer for best result. We are not responsible for any damage caused by the installation.

## STEP 1

Install the Step Pads onto the step bars with (32) M6X1-20mm T-Bolts, (32) M6 Large Flat Washers and (32) M6 Nylon Lock Nuts.

**IMPORTANT:** Don't hit the step pad by any metal hammer within step pad installation, or the step pad will be damaged.

(8) M6X1-20mm T-Bolts  
(8) M6 Flat Washers  
(8) M6 Nylon Lock Nuts



**Note: Rotate 90° after inserting the T-Bolts into the Channel!!!**

## STEP 2

Starting on the passenger side of the vehicle, locate the (2) factory 8mm threaded holes located in the bottom of the floor panel, (Fig 1).

**NOTE:** Threaded holes may be covered with insulation. Clean mounting locations as required for proper Bracket installation.



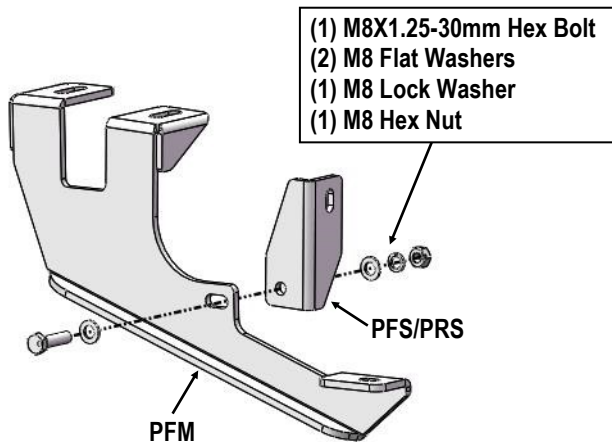
(Fig 1) Passenger Side Front Mounting Location

# iArmor®

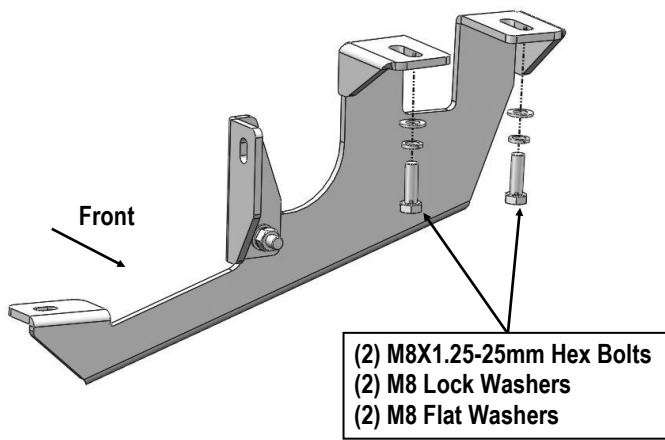
## STEP 3

Under the Passenger front mounting location, (**Fig 1**), select (1) Passenger Front Mounting Bracket (**PFM**) and (1) Passenger Front Support Bracket (**PFS/PRS**). Assemble with (1) M8X1.25-30mm Hex Bolt, (2) M8 Flat Washers, (1) M8 Lock Washer and (1) M8 Hex Nut, (**Fig 2**).

Attach the Passenger Front Mounting Bracket to the (2) threaded holes with (2) M8X1.25-25mm Hex Bolts, (2) M8 Flat Washers and (2) M8 Lock Washers, (**Fig 3**). Do not fully tighten hardware at this time.



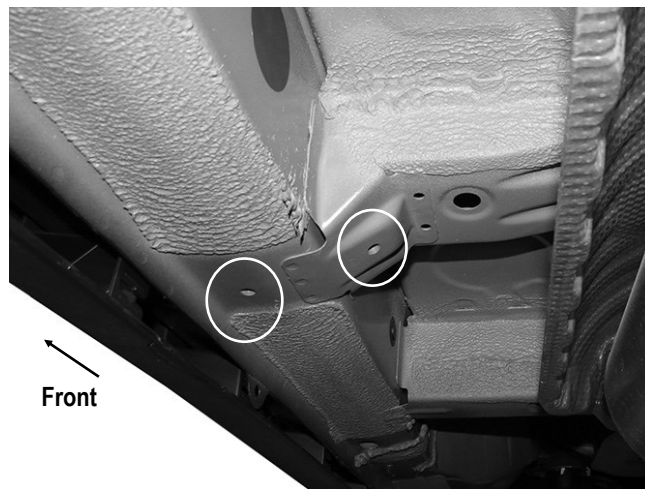
(Fig 2) Passenger Front Brackets Assembly



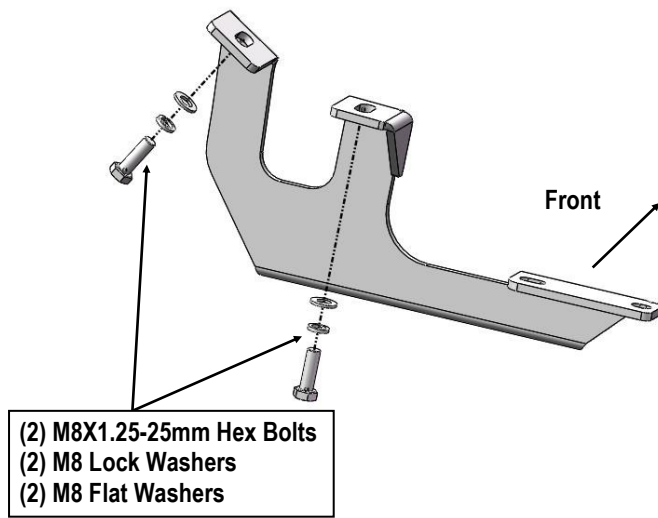
(Fig 3) Passenger Front Mounting Bracket Installation

## STEP 4

Move to the passenger side center mounting location, (**Fig 4**). Repeat **Steps 2-3** to bolt the Passenger Center Mounting Bracket (**PCM**) to the factory threaded holes, (**Fig 5**). Do not fully tighten hardware at this time.



(Fig 4) Passenger Side Center Mounting Location

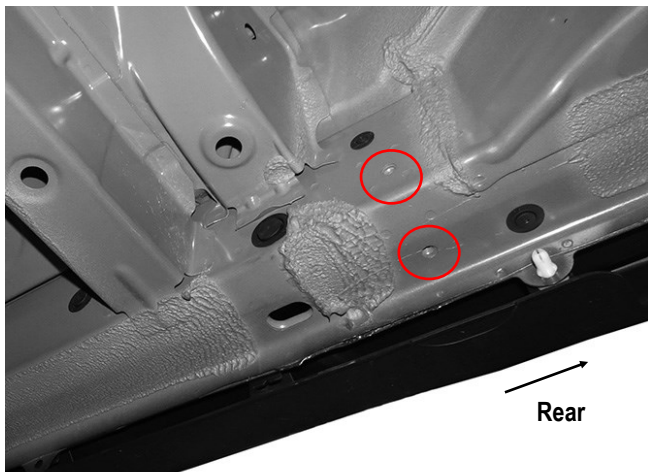


(Fig 5) Passenger Center Mounting Bracket Installation

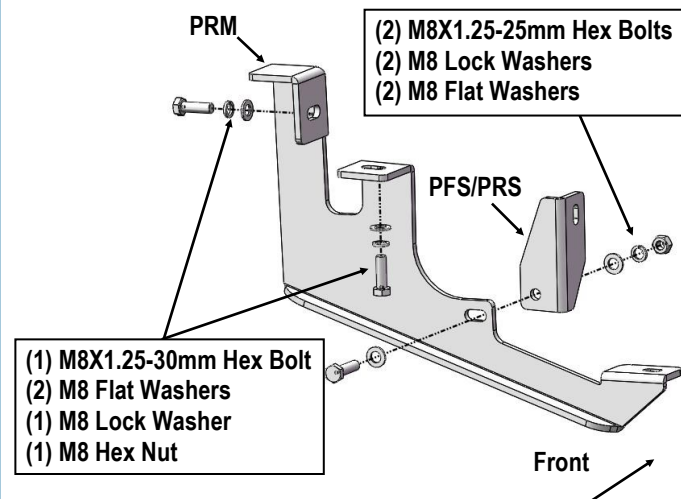
# iArmor®

## STEP 5

Next, move to the passenger side rear mounting location, (Fig 6). Repeat **Steps 2-3** to assemble and install the Passenger Rear Mounting Bracket (PRM) and the Passenger Rear Support Bracket (PFS/PRS), (Fig 7). Do not fully tighten hardware at this time.



(Fig 6) Passenger Side Rear Mounting Location



(Fig 7) Passenger Rear Brackets Assembly & Installation

## STEP 6

Once all (3) passenger side brackets are installed, select and attach the assembled Passenger Side Step Bar onto the Mounting Brackets with (2) M6X1-20mm T-Bolts, (4) M6X1-20mm Square Head Bolts, (6) M6 Large Flat Washers and (6) M6 Nylon Lock Nuts, (Fig 8). Do not fully tighten hardware at this time.

## STEP 7

Properly level and adjust the Step Bar and fully tighten all hardware.

## STEP 8

Move to the other side of the vehicle. Repeat **Steps 1—7** for other side Step Bar installation.

### Attention

Do periodic inspections to the installation to make sure that all hardware is secure and tight.

In order to protect your bars/boards, please use only mild soap/non-abrasive products for cleaning.

# iArmor®

(Fig 8) Passenger Side Step Bar Installation

- (1) M6X1-20mm Square Head Bolt
- (1) M6 Large Flat Washer
- (1) M6 Nylon Lock Nut

