

iArmor®

IARMOR EDGE™

PART#: IA-N111

BEFORE INSTALLATION

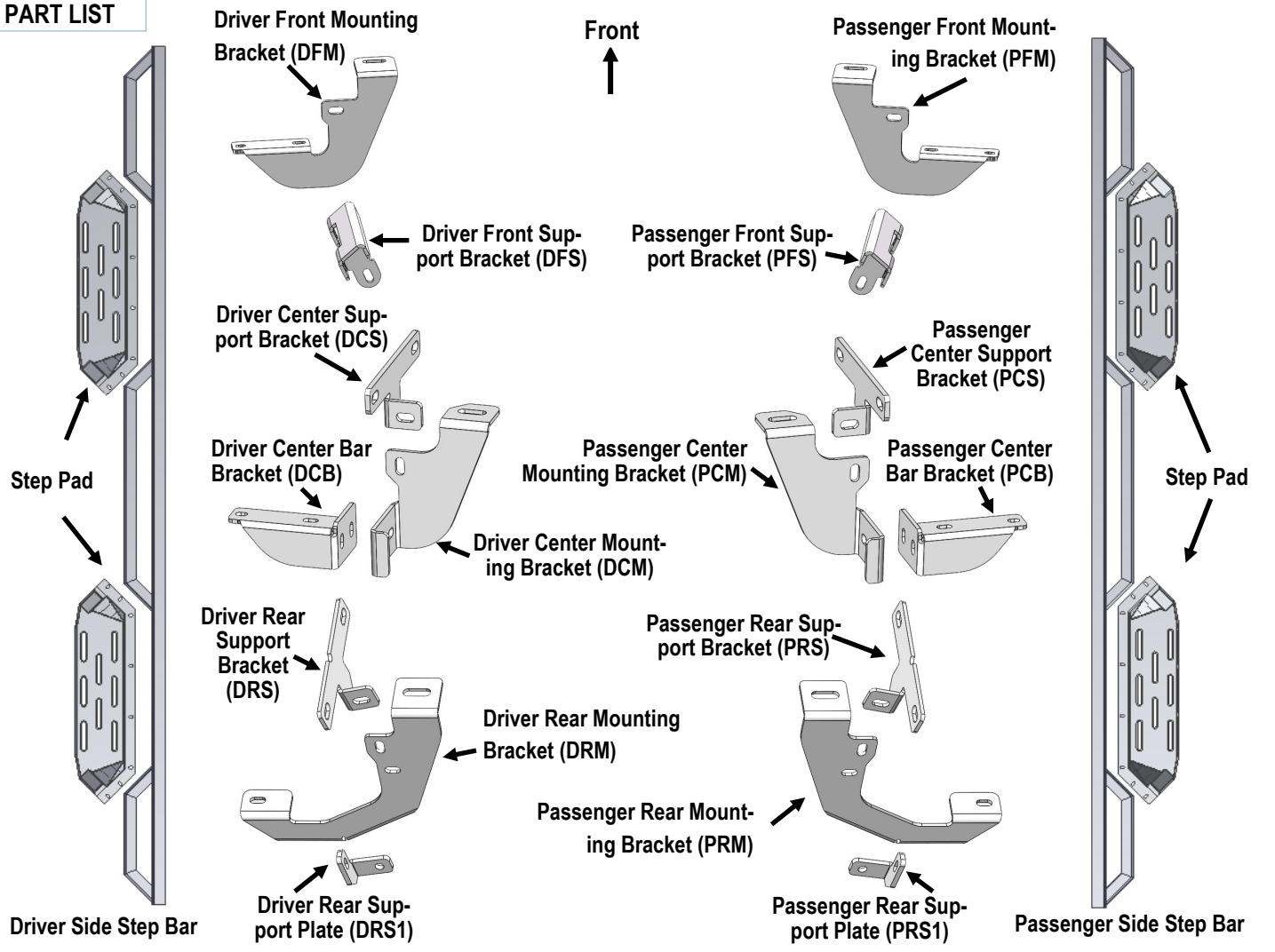
REMOVE CONTENTS FROM BOX. VERIFY ALL PARTS ARE PRESENT. READ INSTRUCTIONS CAREFULLY BEFORE STARTING INSTALLATION. ASSISTANCE IS RECOMMENDED. THANK YOU FOR CHOOSING OUR PRODUCT!

- *DRILLING NOT REQUIRED
- *TRIMMING NOT REQUIRED

Torque Value

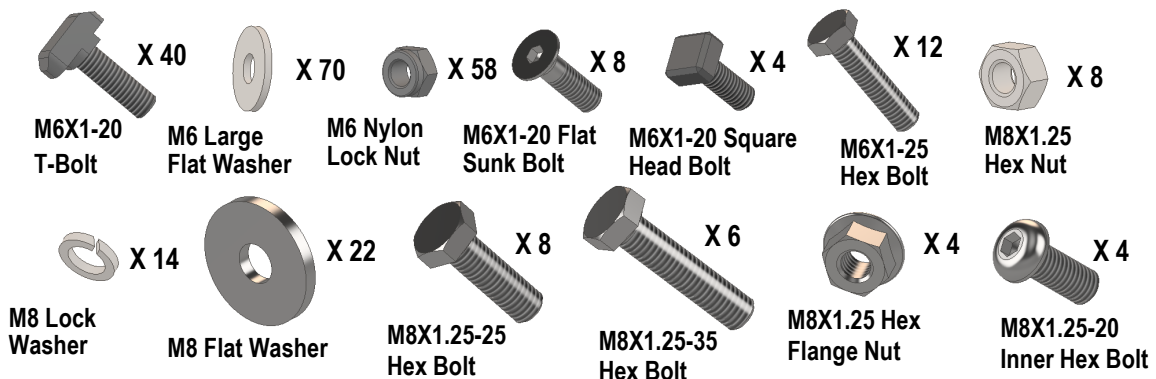
Fastener Size	Tightening Torque (ft-lbs)
6mm	6-7
8mm	16-18
10mm	31-32
12mm	56-58
14mm	92-94

PART LIST



Customer Support: info@iarmorauto.com

iArmor®

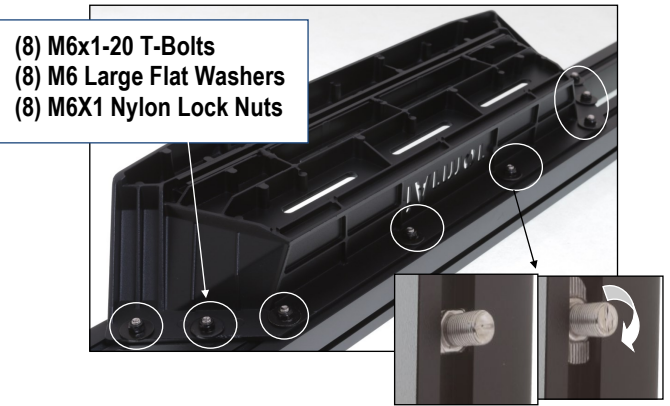
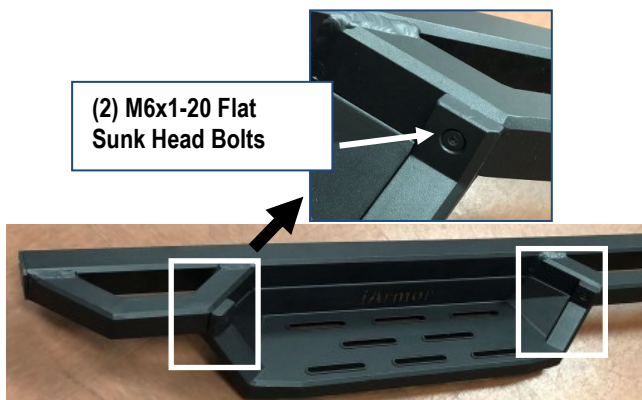


The instruction here is for your reference only. We strongly recommend the professional installer for best result. We are not responsible for any damage caused by the installation.

STEP 1

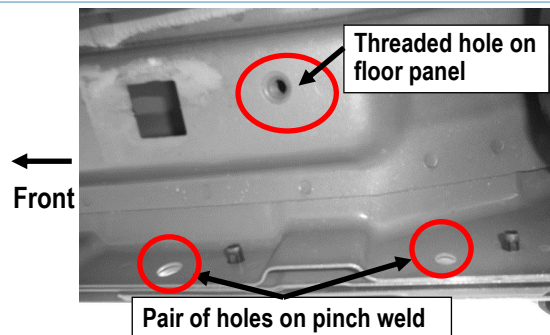
Install the Step Pads onto the step bars with (32) M6X1-20 T-Bolts, (32) M6 Large Flat Washers, (32) M6X1Nylon Lock Nuts and (8) M6X1-20 Flat Sunk Head Bolts.

IMPORTANT: Don't hit the step pad by any metal hammer within step pad installation, or the step pad will be damaged.



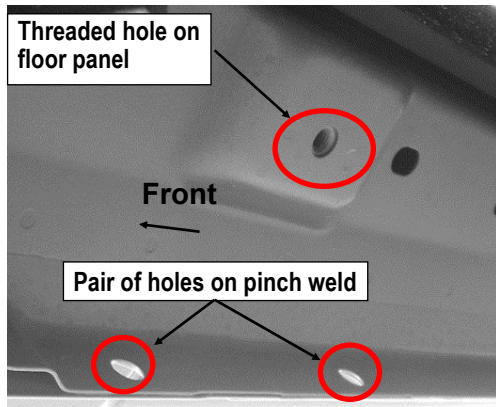
STEP 2

Start installation on the passenger side of the vehicle. The mounting brackets locations as shown on (Fig 1-3) Attach brackets onto the holes in the pinch weld and the small factory threaded hole directly behind the pinch weld.

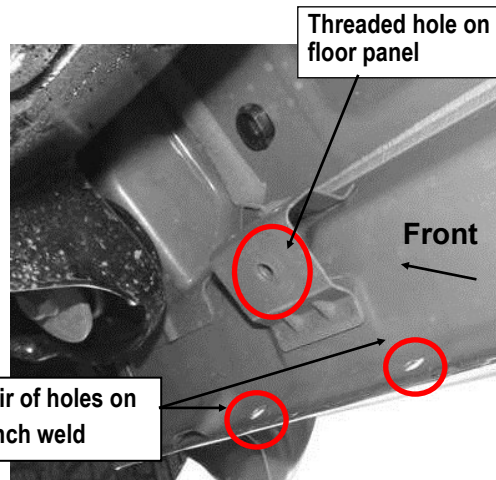


(Fig 1) Passenger Side Front Mounting Location

iArmor[®]



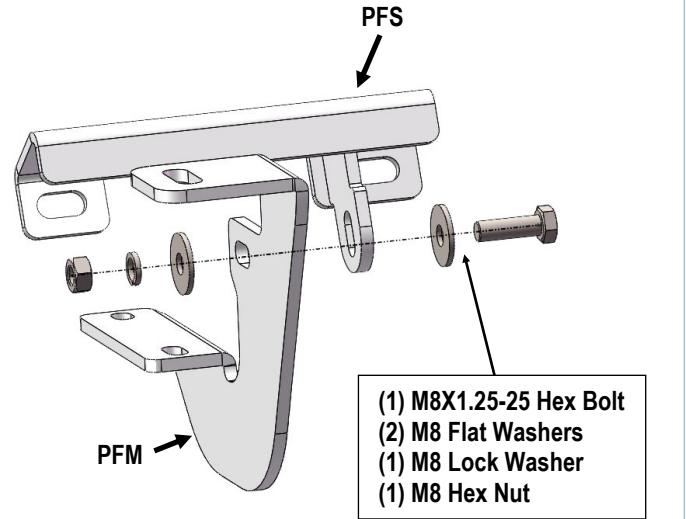
(Fig 2) Passenger Side Center Mounting Location



(Fig 3) Passenger Side Rear Mounting Location

STEP 3

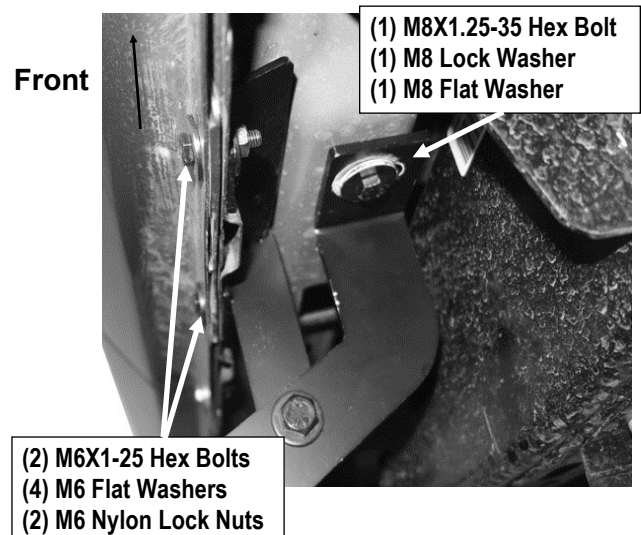
Assemble Passenger Front Mounting Bracket (**PFM**) and Passenger Front Support Bracket (**PFS**) with (1) M8X1.25-25 Hex Bolt, (2) M8 Flat Washers, (1) M8 Lock Washer and (1) M8 Hex Nut, (**Fig 4**). Do not fully tighten hardware at this time.



(Fig 4) Passenger Front Mounting Bracket Assembly

STEP 4

Install the Assembled Passenger Front Mounting Bracket on the vehicle, (**Fig 5**). Do not fully tighten hardware at this time.

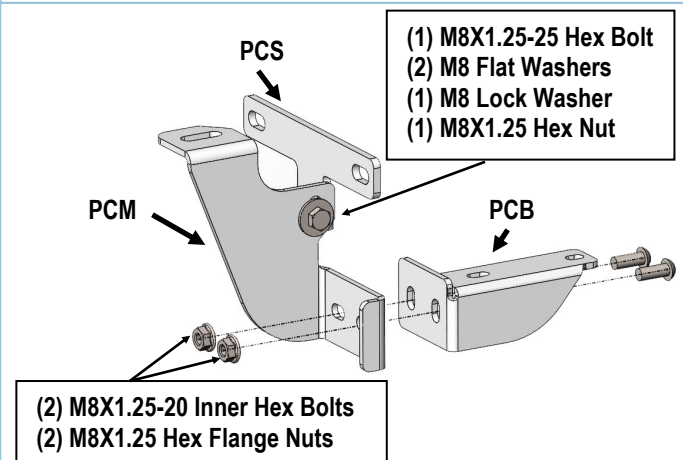


(Fig 5) Passenger Front Mounting Bracket Installed

iArmor®

STEP 5

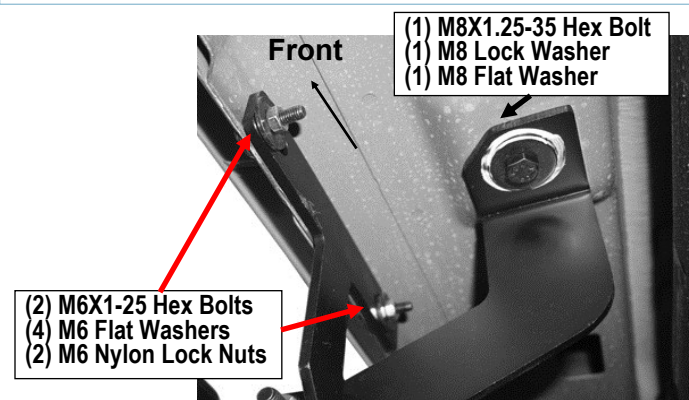
Assemble the Passenger Side Center Mounting Bracket (**PCM**) and Passenger side Center Support Bracket (**PCS**) and Passenger Center Bar Bracket (**PCB**), (**Fig 6**). Do not fully tighten hardware at this time.



(Fig 6) Passenger Side Center Mounting Bracket Assembly

STEP 6

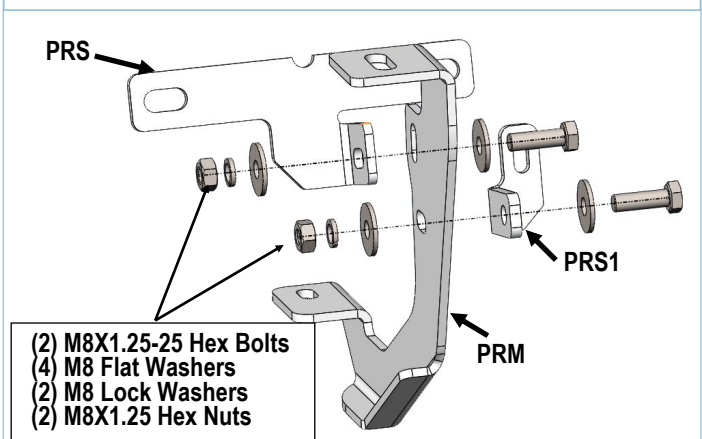
Install the Assembled Passenger Center Mounting Bracket on the vehicle, (**Fig 7**).



(Fig 7) Passenger Side Center Brackets Installed

STEP 7

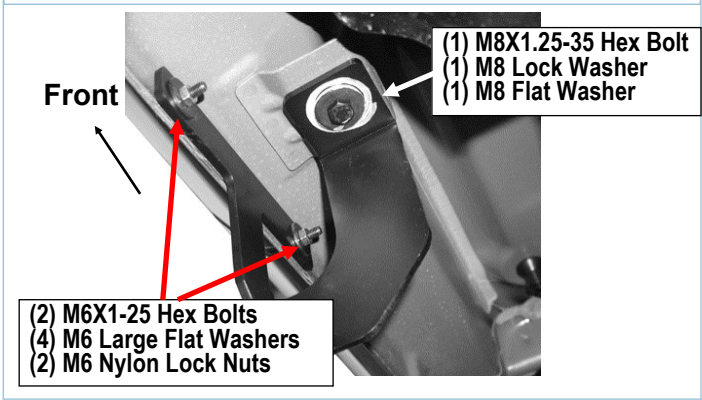
Assemble the Passenger Side Rear Mounting Bracket (**PRM**) and Passenger side Rear Support Bracket (**PRS**) and Passenger Rear Support Plate (**PRS1**), (**Fig 8**). Do not fully tighten hardware at this time.



(Fig 8) Passenger Rear Mounting Bracket Assembly

STEP 8

Install the Assembled Passenger Rear Mounting Bracket on the vehicle, (**Fig 9**). Do not fully tighten hardware at this time.



(Fig 9) Passenger Side Rear Bracket Installed

iArmor®

STEP 9

Once all (3) Passenger side mounting brackets are installed, attach the assembled Passenger Side Bar to the Mounting Brackets with (4) M6X1-20 T-Bolts, (2) M6X1-20 Square Head Bolt, (6) M6 Large Flat Washers and (6) M6X1 Nylon Lock Nuts, (Fig 10). Do not fully tighten hardware at this time.

STEP 10

Properly level and adjust the Step Bar and fully tighten all hardware.

STEP 11

Move to the driver side of the vehicle. Repeat **Steps 1-10** to install driver side step bar.

Attention

Do periodic inspections to the installation to make sure that all hardware is secure and tight.

In order to protect your bars/boards, please use only mild soap/non-abrasive products for cleaning.

(Fig 10) Passenger Side Step Bar Installation

