

iArmor[®]

iArmor[®] by APS

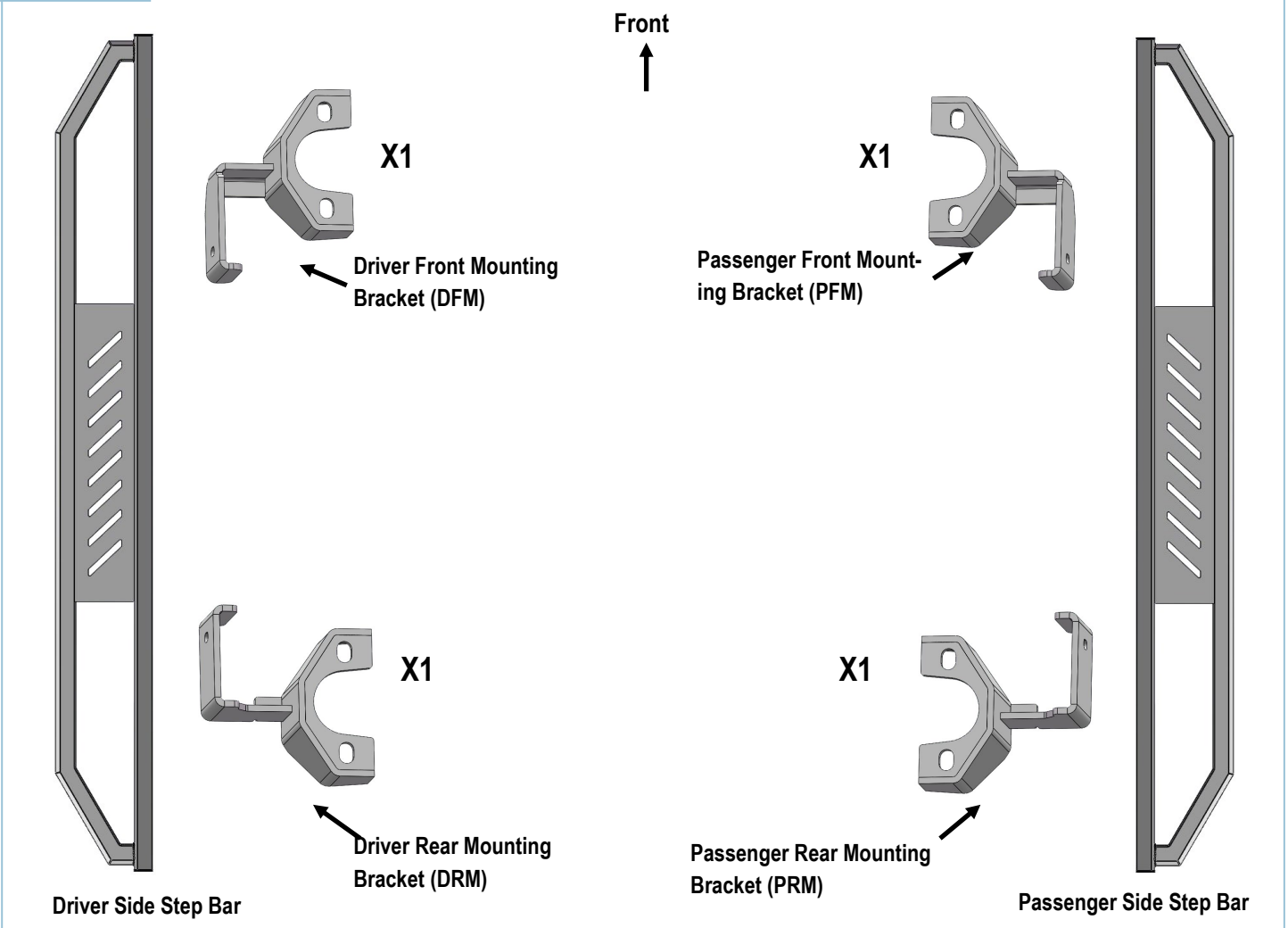
PART#: IA-S106

BEFORE INSTALLATION

REMOVE CONTENTS FROM BOX. VERIFY ALL PARTS ARE PRESENT. READ INSTRUCTIONS CAREFULLY BEFORE STARTING INSTALLATION. ASSISTANCE IS RECOMMENDED. THANK YOU FOR CHOOSING OUR PRODUCT!

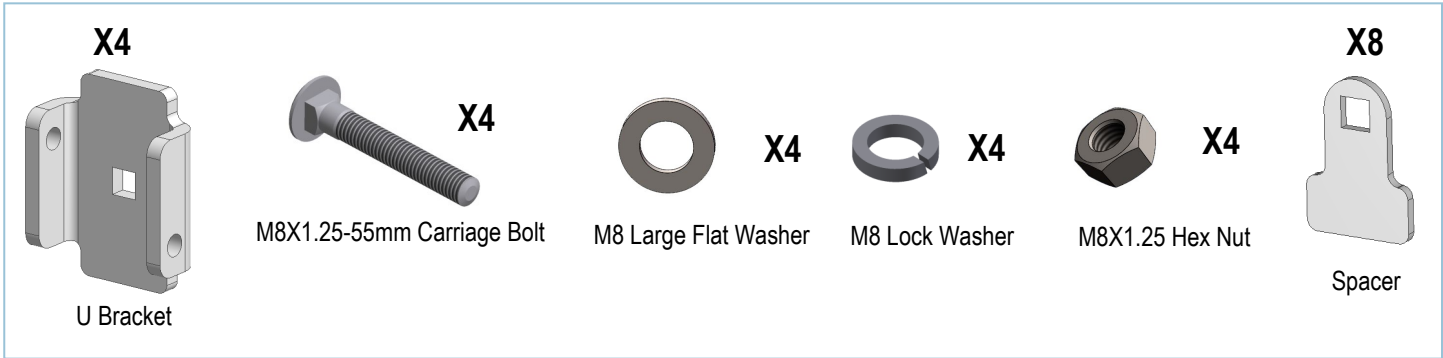
Fastener Size	Tightening Torque (ft-lbs)
6mm	6-7
8mm	16-18
10mm	31-32
12mm	56-58
14mm	92-94

PART LIST



Customer Support: info@iarmorauto.com

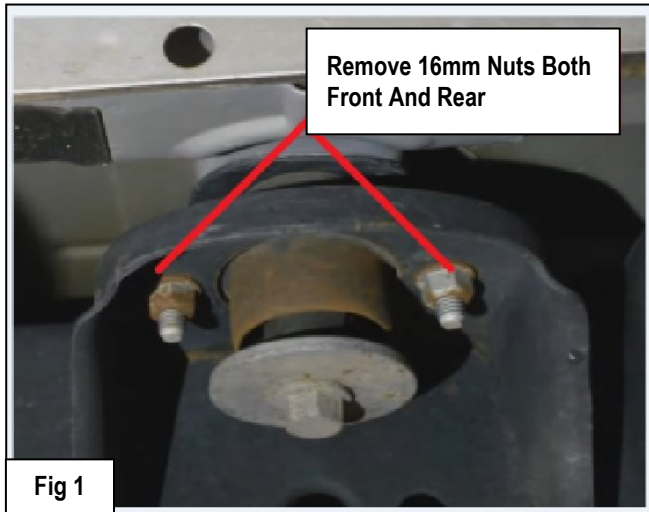
iArmor®



The instruction here is for your reference only. We strongly recommend the professional installer for best result. We are not responsible for any damage caused by the installation.

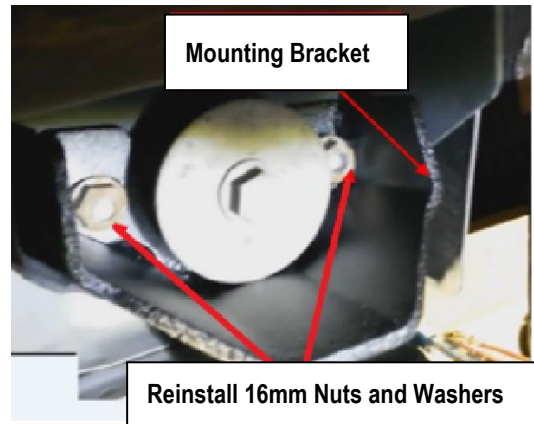
STEP 1

Start from the driver side. Remove all the 16mm nuts from the front and rear body mount area, as shown on Fig 1.



STEP 2

Attach the Driver Front Mounting Bracket (DFM) and Driver Rear Mounting Bracket (DRM) onto the body frame with the factory 16mm nuts and washers. As shown on Fig 2. Do not fully tighten hardware at this time.



(Fig 2) Passenger Side Mounting Bracket Installed

STEP 3

Once all (2) driver side mounting brackets are installed, select and attach the Driver Side Step Bar onto the Mounting Brackets with (2) U Brackets, (4) Spacers, (2) M8X1.25-55mm Carriage Bolts, (2) M8 Large Flat Washers, (2) M8 Lock Washers and (2) M8X1.25 Hex Nuts, (Fig 3). Do not fully tighten hardware at this time.

iArmor®

STEP 4

Properly level and adjust the Step Bar and fully tighten all hardware.

STEP 5

Move to the passenger side of the vehicle. Repeat **Steps 1-4** to install passenger side step bar.

Installation completed (Fig 4).



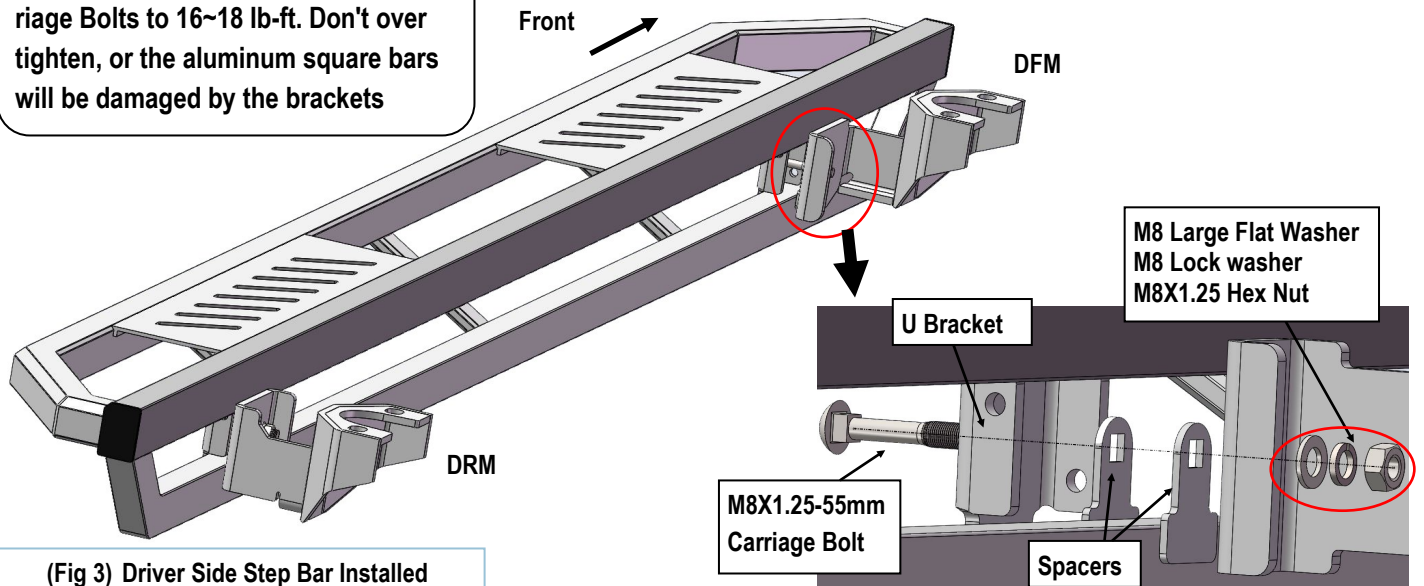
(Fig 4) Installation Completed

Attention

Do periodic inspections to the installation to make sure that all hardware is secure and tight.

In order to protect your bars/boards, please use only mild soap/non-abrasive products for cleaning.

NOTE: Torque all M8 X1.25-55mm Carriage Bolts to 16~18 lb-ft. Don't over tighten, or the aluminum square bars will be damaged by the brackets



(Fig 3) Driver Side Step Bar Installed