

# iArmor<sup>®</sup>

## iArmor<sup>®</sup> by APS

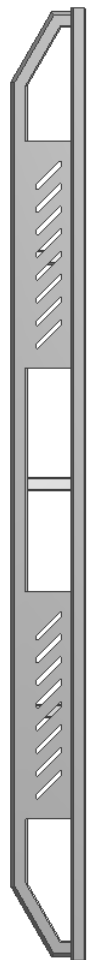
PART#: IA-S108

### BEFORE INSTALLATION

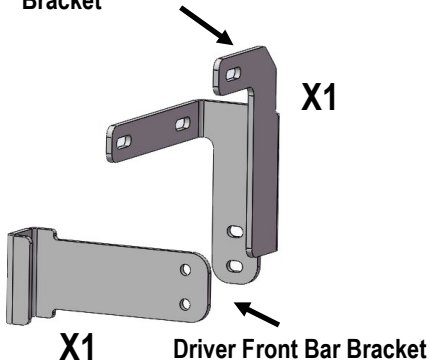
REMOVE CONTENTS FROM BOX. VERIFY ALL PARTS ARE PRESENT. READ INSTRUCTIONS CAREFULLY BEFORE STARTING INSTALLATION. ASSISTANCE IS RECOMMENDED. THANK YOU FOR CHOOSING OUR PRODUCT!

Fastener Size	Tightening Torque (ft-lbs)
6mm	6-7
8mm	16-18
10mm	31-32
12mm	56-58
14mm	92-94

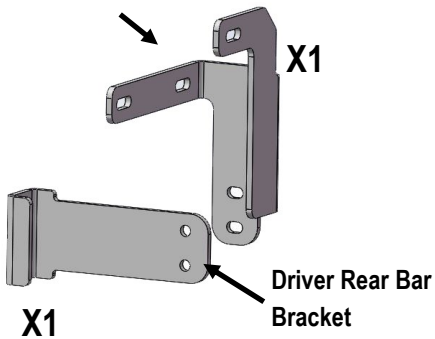
### PART LIST



Driver Front Mounting Bracket



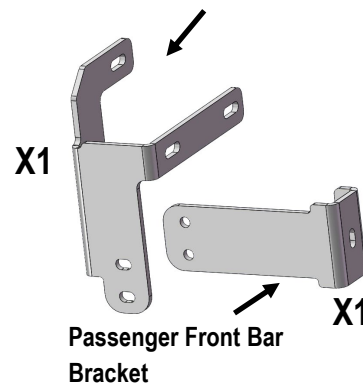
Driver Rear Mounting Bracket



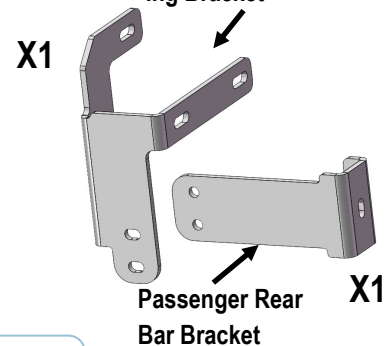
Driver Side Step Bar

Front  
↑

Passenger Front Mounting Bracket



Passenger Rear Mounting Bracket

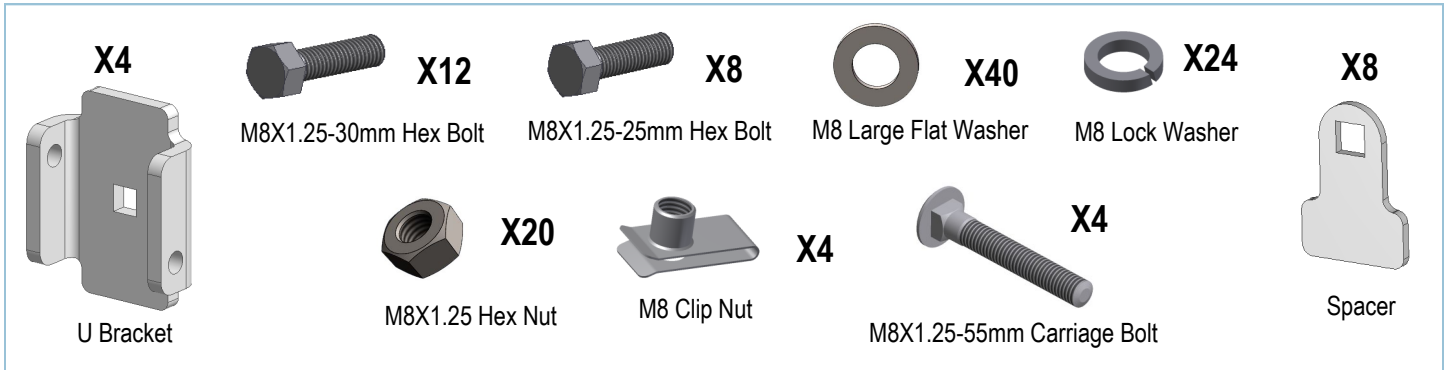


Passenger Side Step Bar

Note: \*All (4) Mounting Brackets Are Universal  
\*All (4) Bar Brackets Are Universal

Customer Support: [info@iarmorauto.com](mailto:info@iarmorauto.com)

# iArmor®



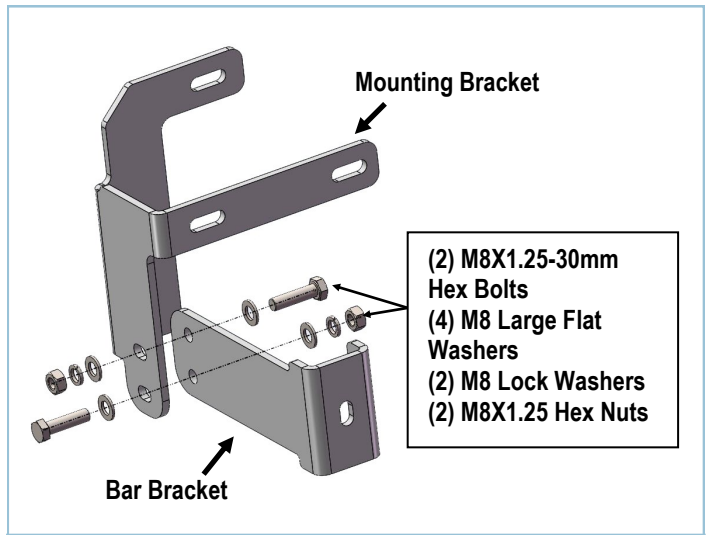
The instruction here is for your reference only. We strongly recommend the professional installer for best result. We are not responsible for any damage caused by the installation.

## STEP 1

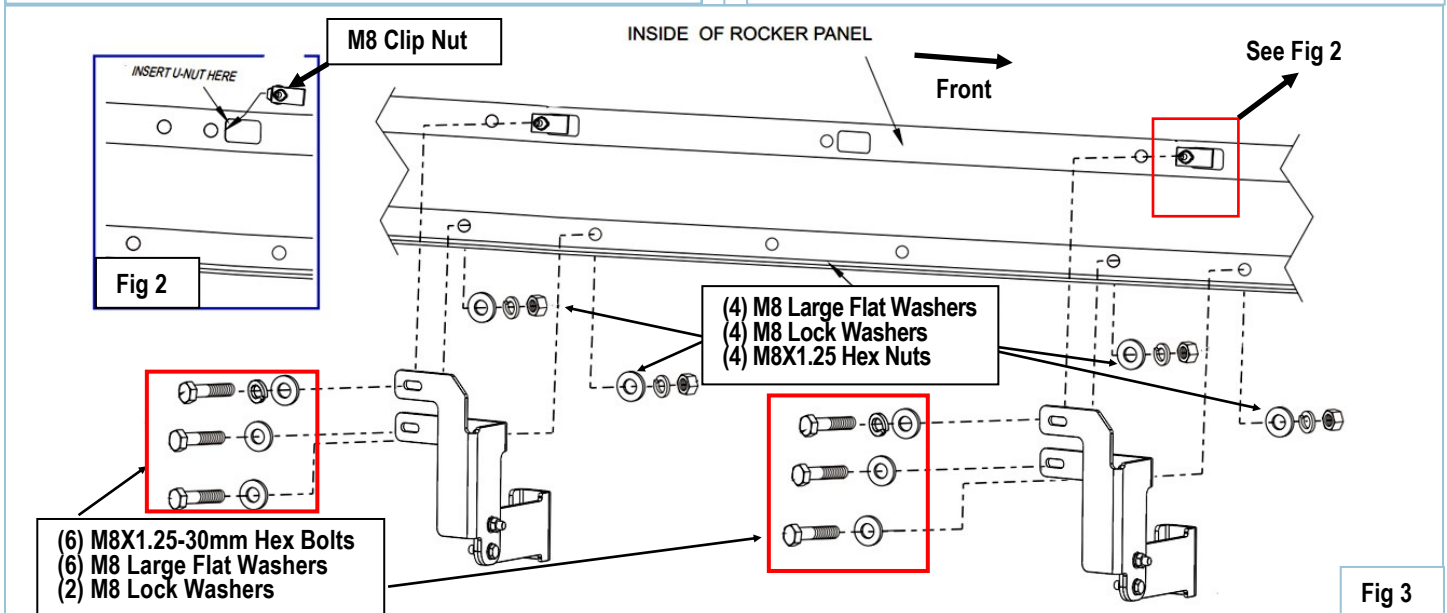
Start on the driver side of the vehicle. Assemble Mounting Bracket and Bar Bracket with (2) M8X1.25-25mm Hex Bolts, (4) M8 Large Flat Washers, (2) M8 Lock Washers and (2) M8X1.25 Hex Nuts, (Fig 1).

Attach brackets to underside of rocker panel as shown. Do not fully tighten hardware at this time. (Fig 2-3)

**Note:** (4) Mounting Brackets Are Universal, (4) Bar Brackets Are Universal.



(Fig 1) Mounting Bracket and Bar Bracket Assembly



# iArmor®

## STEP 2

**For jeep Commanders only:** To attach the passenger side front bracket, remove the four bolts that secure the rear air and heat line shroud.

Remove the shroud to gain access to top mounting location on the bracket. After bracket is installed and fasteners are tightened, reattach shroud with the four existing bolts previously removed. (Fig 4)

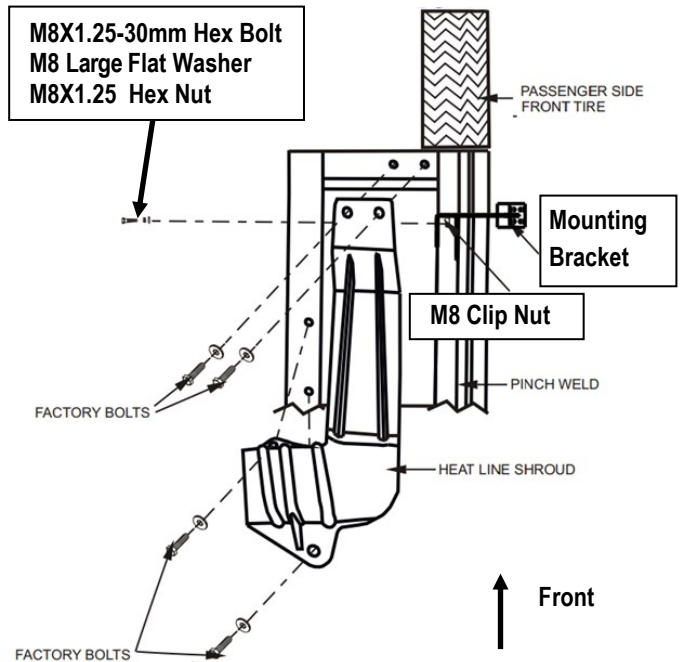
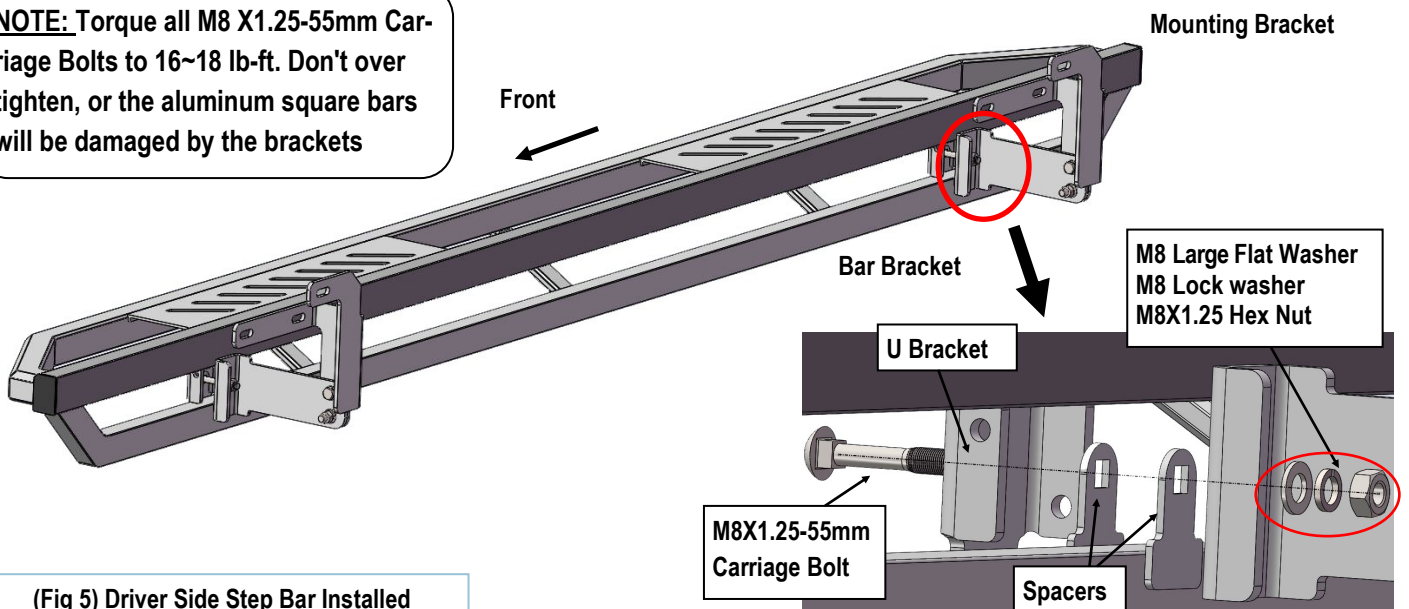


Fig 4

## STEP 3

Once all (2) driver side mounting brackets are installed, select and attach the Driver Side Step Bar onto the Mounting Brackets with (2) U Brackets, (4) Spacers, (2) M8X1.25-55mm Carriage Bolts, (2) M8 Large Flat Washers, (2) M8 Lock Washers and (2) M8X1.25 Hex Nuts (Fig 5). Do not fully tighten hardware at this time.

**NOTE:** Torque all M8 X1.25-55mm Carriage Bolts to 16~18 lb-ft. Don't over tighten, or the aluminum square bars will be damaged by the brackets



(Fig 5) Driver Side Step Bar Installed

# iArmor<sup>®</sup>

## STEP 4

Properly level and adjust the Step Bar and fully tighten all hardware.

## STEP 5

Move to the passenger side of the vehicle. Repeat **Steps 1-4** to install passenger side step bar.

Installation completed (**Fig 6**).



(Fig 6) Installation Completed

### Attention

Do periodic inspections to the installation to make sure that all hardware is secure and tight.

In order to protect your bars/boards, please use only mild soap/non-abrasive products for cleaning.