

# iArmor<sup>®</sup>

## iArmor<sup>®</sup> by APS

PART#: IA-S050

### BEFORE INSTALLATION

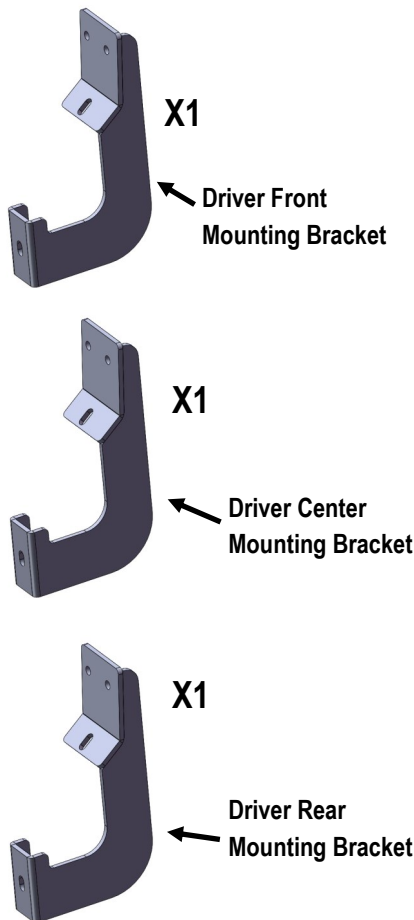
REMOVE CONTENTS FROM BOX. VERIFY ALL PARTS ARE PRESENT. READ INSTRUCTIONS CAREFULLY BEFORE STARTING INSTALLATION. ASSISTANCE IS RECOMMENDED. THANK YOU FOR CHOOSING OUR PRODUCT!

Fastener Size	Tightening Torque (ft-lbs)
6mm	6-7
8mm	16-18
10mm	31-32
12mm	56-58
14mm	92-94

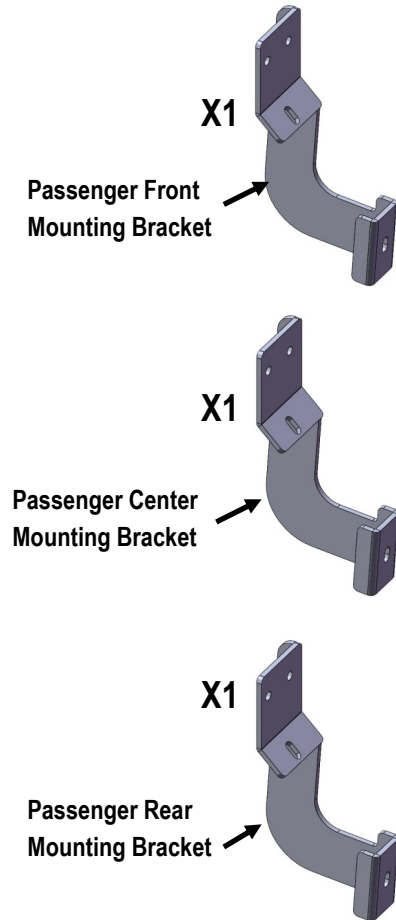
### PART LIST



Driver Side Step Bar



Front  
↑

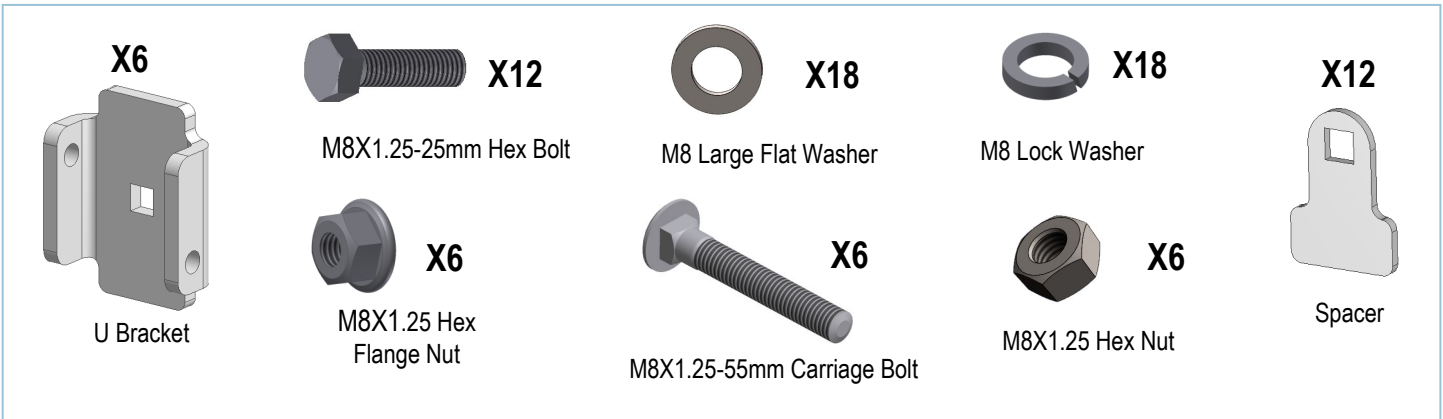


Passenger Side Step Bar

\*(6) Mounting Brackets are Universal.

Customer Support: [info@iarmorauto.com](mailto:info@iarmorauto.com)

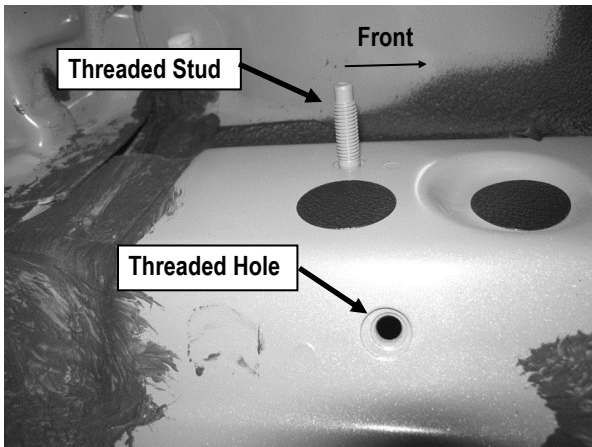
# iArmor®



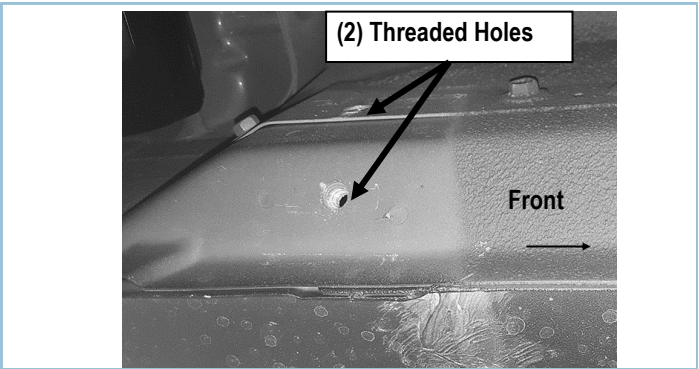
The instruction here is for your reference only. We strongly recommend the professional installer for best result. We are not responsible for any damage caused by the installation.

## STEP 1

Start installation at the front of the driver side of the vehicle and locate the factory threaded holes or stud located on the side of the inner body panel, (Fig 1 & 2). **NOTE:** Remove the plastic plug or any insulation on the side panel to locate the threaded holes.



(Fig 1) Up To 2015 Driver Side Rear Mounting Location Pictured. Note: Remove Plastic Plugs To Locate Factory Threaded Holes



(Fig 2) 2016-On Driver Side Rear Mounting Location Pictured. Note: Two Factory Threaded Holes Only

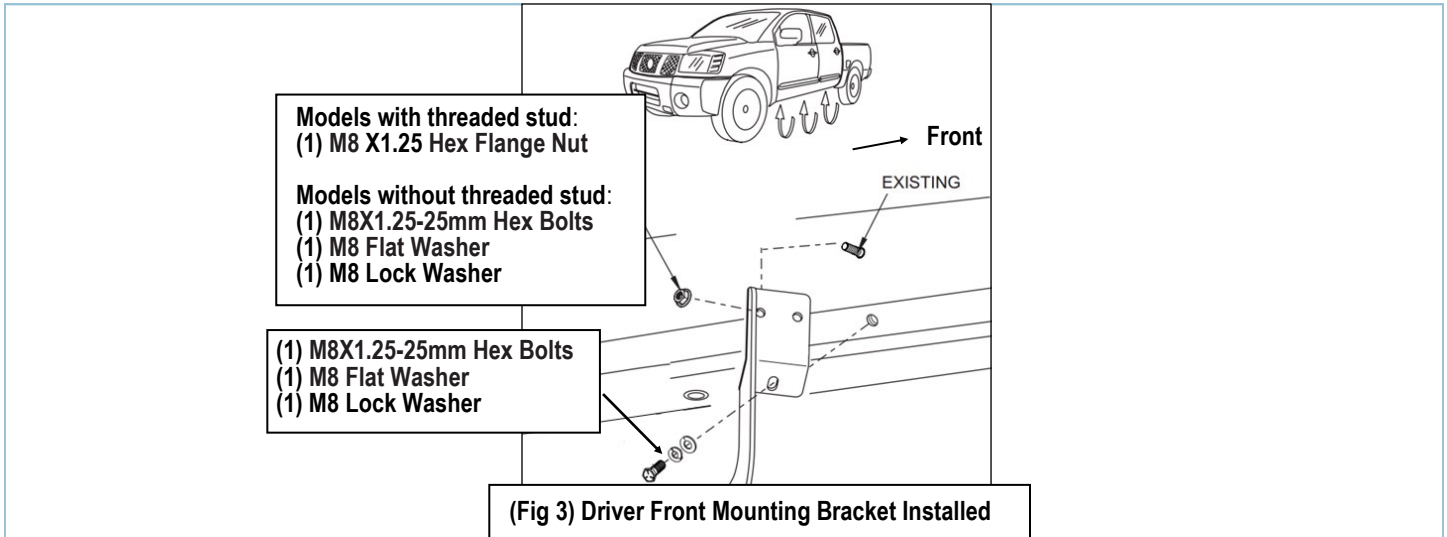
## STEP 2

Attach (1) Mounting Bracket onto the Driver Side Front Mounting Location as shown (Fig 3).

- a. **Models with threaded stud:** Attach the Mounting Bracket to upper stud with (1) M8 X1.25 Hex Flange Nut. Next, secure the bracket to the lower threaded hole with (1) M8X1.25-25mm Hex Bolt, (1) M8 Flat Washer and (1) M8 Lock Washer. Do not tighten hardware at this time.
- b. **Models without threaded stud:** Attach the Mounting Bracket to the upper threaded hole with (1) M8X1.25-25mm Hex Bolt, (1) M8 Flat Washer and (1) M8 Lock Washer. Next, secure the bracket to the lower threaded hole with (1) M8X1.25-25mm Hex Bolt, (1) M8 Flat Washer and (1) M8 Lock Washer. Do not tighten hardware at this time.

Repeat to Install the Driver Center and Rear mounting brackets

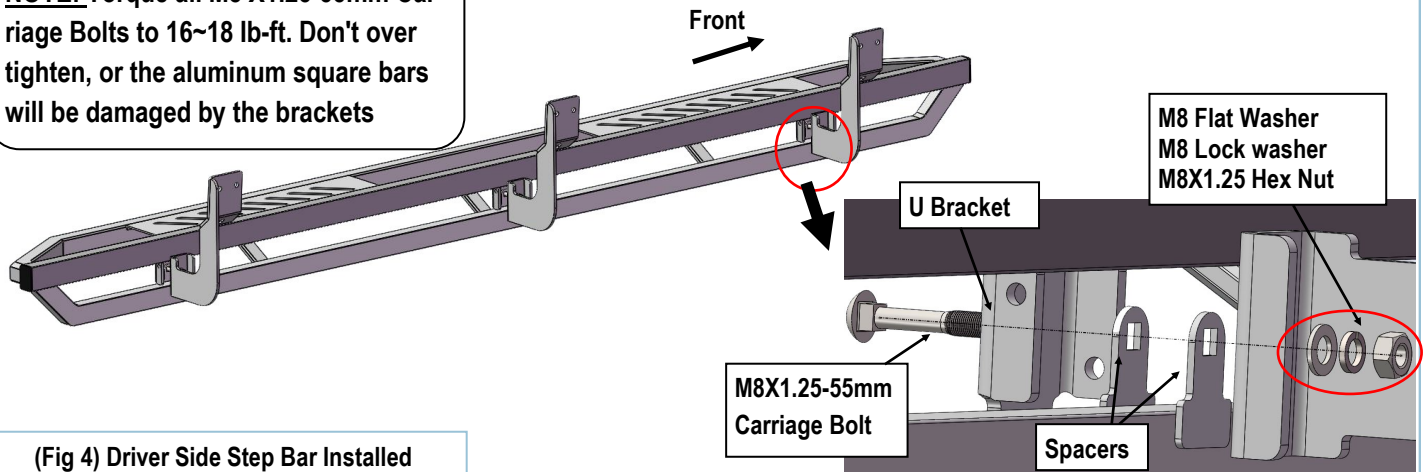
# iArmor®



## STEP 3

Once all (3) driver side mounting brackets are installed, select and attach the Driver Side Step Bar onto the Mounting Brackets with (3) U Brackets, (6) Spacers, (3) M8X1.25-55mm Carriage Bolts, (3) M8 Flat Washers, (3) M8 Lock Washers and (3) M8X1.25 Hex Nuts (Fig 4). Do not fully tighten hardware at this time.

**NOTE:** Torque all M8 X1.25-55mm Carriage Bolts to 16~18 lb-ft. Don't over tighten, or the aluminum square bars will be damaged by the brackets



## STEP 4

Properly level and adjust the Step Bar and fully tighten all hardware.

## STEP 5

Move to the passenger side of the vehicle. Repeat **Steps 1-4** to install passenger side step bar.

# iArmor<sup>®</sup>

## STEP 6

Installation completed (Fig 5).



(Fig 5) Installation Completed

### Attention

Do periodic inspections to the installation to make sure that all hardware is secure and tight.

In order to protect your bars/boards, please use only mild soap/non-abrasive products for cleaning.