

iArmor®

IARMOR EDGE™

PART#: IA-N058

BEFORE INSTALLATION

REMOVE CONTENTS FROM BOX. VERIFY ALL PARTS ARE PRESENT. READ INSTRUCTIONS CAREFULLY BEFORE STARTING INSTALLATION. ASSISTANCE IS RECOMMENDED. THANK YOU FOR CHOOSING OUR PRODUCT!

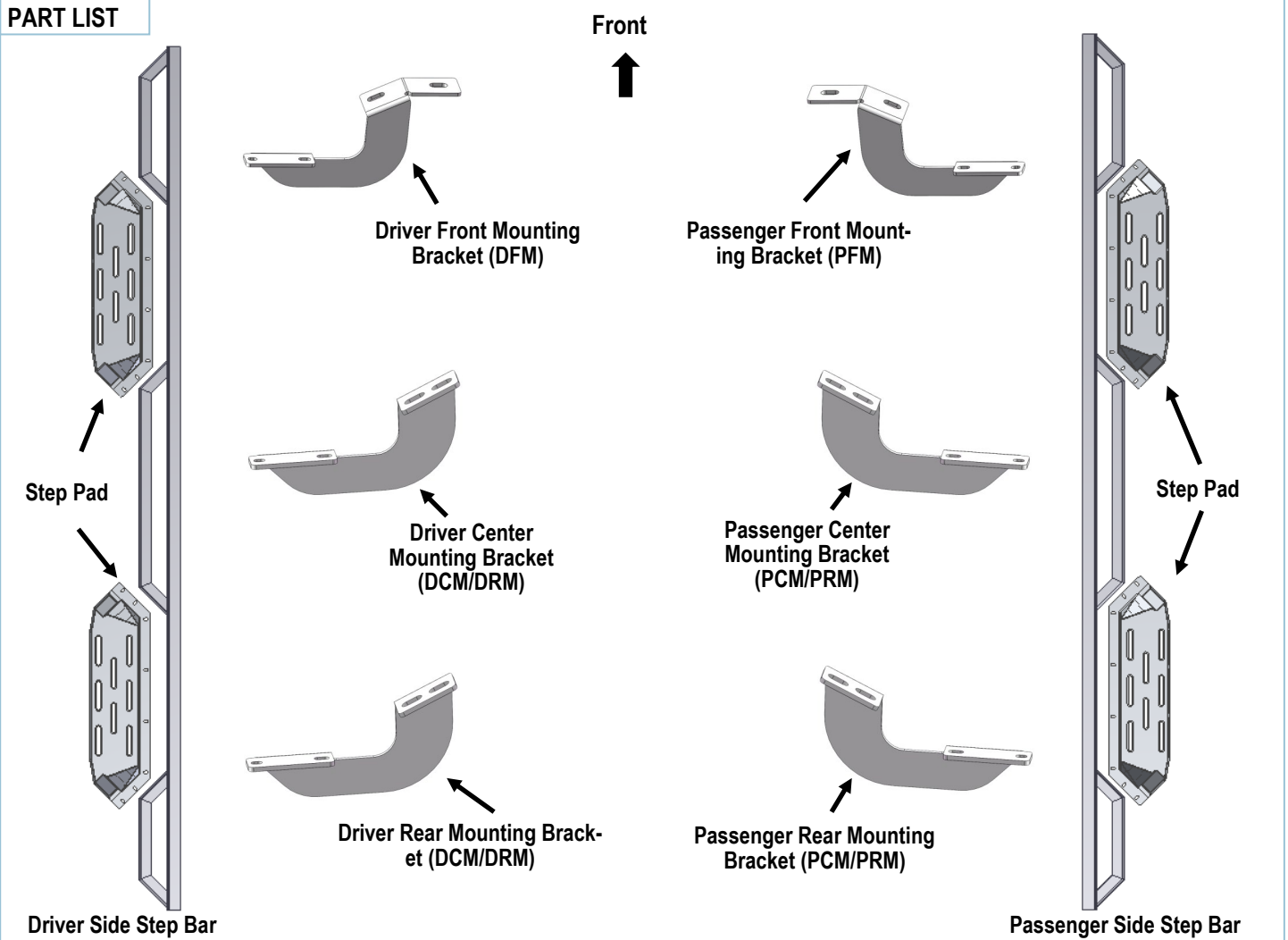
*DRILLING NOT REQUIRED

*TRIMMING NOT REQUIRED

Torque Value

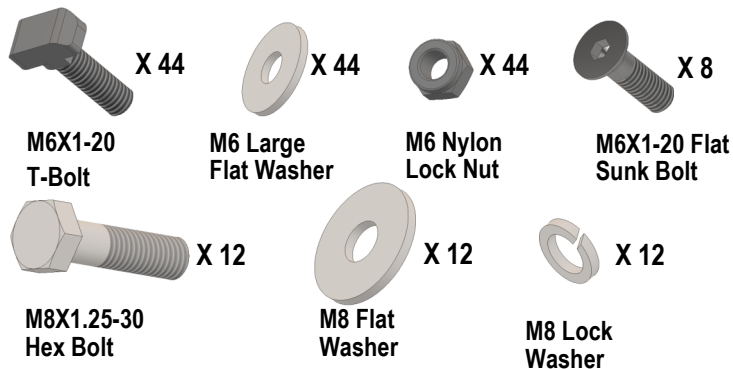
Fastener Size	Tightening Torque (ft-lbs)
6mm	6-7
8mm	16-18
10mm	31-32
12mm	56-58
14mm	92-94

PART LIST



Customer Support: info@iarmorauto.com

iArmor[®]



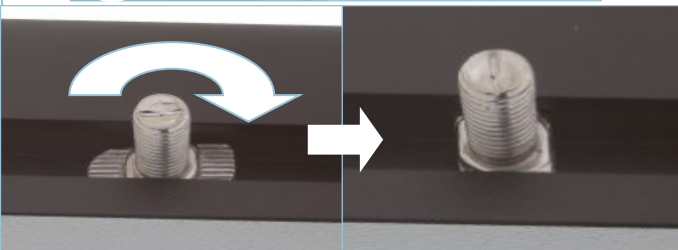
The instruction here is for your reference only. We strongly recommend the professional installer for best result. We are not responsible for any damage caused by the installation.

STEP 1

Install the Step Pads onto the step bars with (32) M6X1-20 T-Bolts, (32) M6 Large Flat Washers, (32) M6 Nylon Lock Nuts and (8) M6X1-20 Flat Sunk Head Bolts.

IMPORTANT: Don't hit the step pad by any metal hummer within step pad installation, or the step pad will be damaged.

(8) M6X1-20 T-Bolts
(8) M6 Large Flat Washers
(8) M6 Nylon Lock Nuts



(2) M6X1-20 Flat Sunk Head Bolts

STEP 2

Starting on the driver side front of the vehicle, remove the existing (2) factory bolts, (or plastic plugs) (**Fig 1**). This will be the mounting location for the Driver Front Mounting Bracket.

Remove Plastic Plugs Or
Factory Hex Bolts (if equipped)



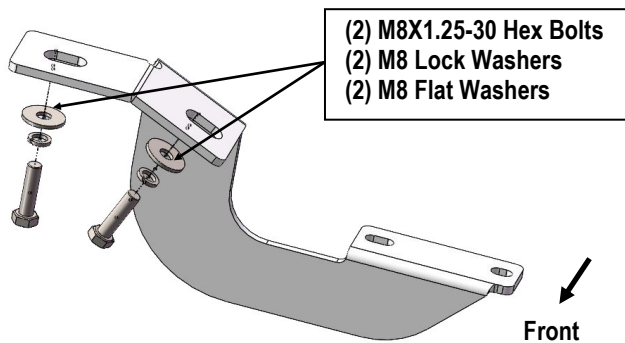
(Fig 1) Driver Side Front Mounting Location

Customer Support: info@iarmorauto.com

iArmor®

STEP 3

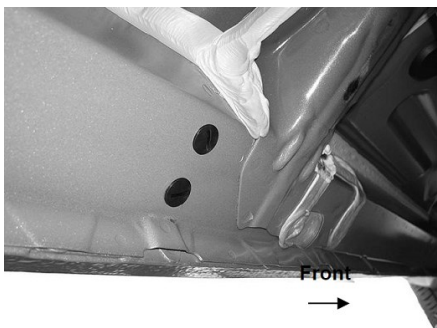
Select the Driver Front Mounting Bracket (**DFM**), (**Fig 2**). Attach the Bracket to the vehicle using the included (2) M8X1.25-30 Hex Bolts, (2) M8 Lock Washers and (2) M8 Flat Washers, (**Fig 3**). Do not fully tighten hardware at this time.



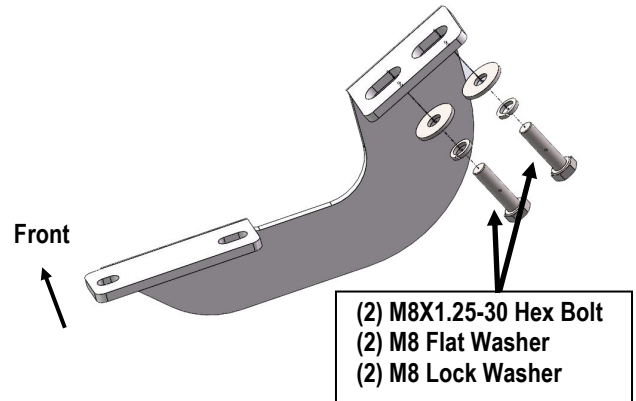
(Fig 2) Driver Front Mounting Bracket Installed

STEP 4

Move along the side panel to the Driver Side Center and Rear Mounting Locations (**Fig 3**). Repeat **Steps 2—3** to install the Driver Center & Rear Mounting Brackets (**DCM/DRM**), (**Fig 4**).



(Fig 3) Example of Driver Side Center/Rear Mounting Locations



(Fig 4) Driver Center/Rear Mounting Bracket Installed

STEP 5

Once all (3) Brackets have been installed, attach the Assembled Passenger Side Step Bar onto the brackets with (6) M6X1-20 T-Bolts, (6) M6 Large Flat Washers and (6) M6 Nylon Lock Nuts (**Fig 5**). Do not fully tighten hardware at this time.

STEP 6

Level and adjust the Bar properly and tighten all hardware.
NOTE: Torque all M6 nylon lock nuts to 7 lb-ft.

STEP 7

Repeat **Steps 2—6** for passenger side step bar installation.

iArmor[®]

STEP 8

Do periodic inspections to the installation to make sure that all hardware is secure and tight.

Attention

In order to protect your bars/boards, please use only mild soap/non-abrasive products for cleaning.

(Fig 5) Driver Side Step Bar Installation

