

iArmor[®]

iArmor[®] by APS

PART#: IA-S230

BEFORE INSTALLATION

REMOVE CONTENTS FROM BOX. VERIFY ALL PARTS ARE PRESENT. READ INSTRUCTIONS CAREFULLY BEFORE STARTING INSTALLATION. ASSISTANCE IS RECOMMENDED. THANK YOU FOR CHOOSING OUR PRODUCT!

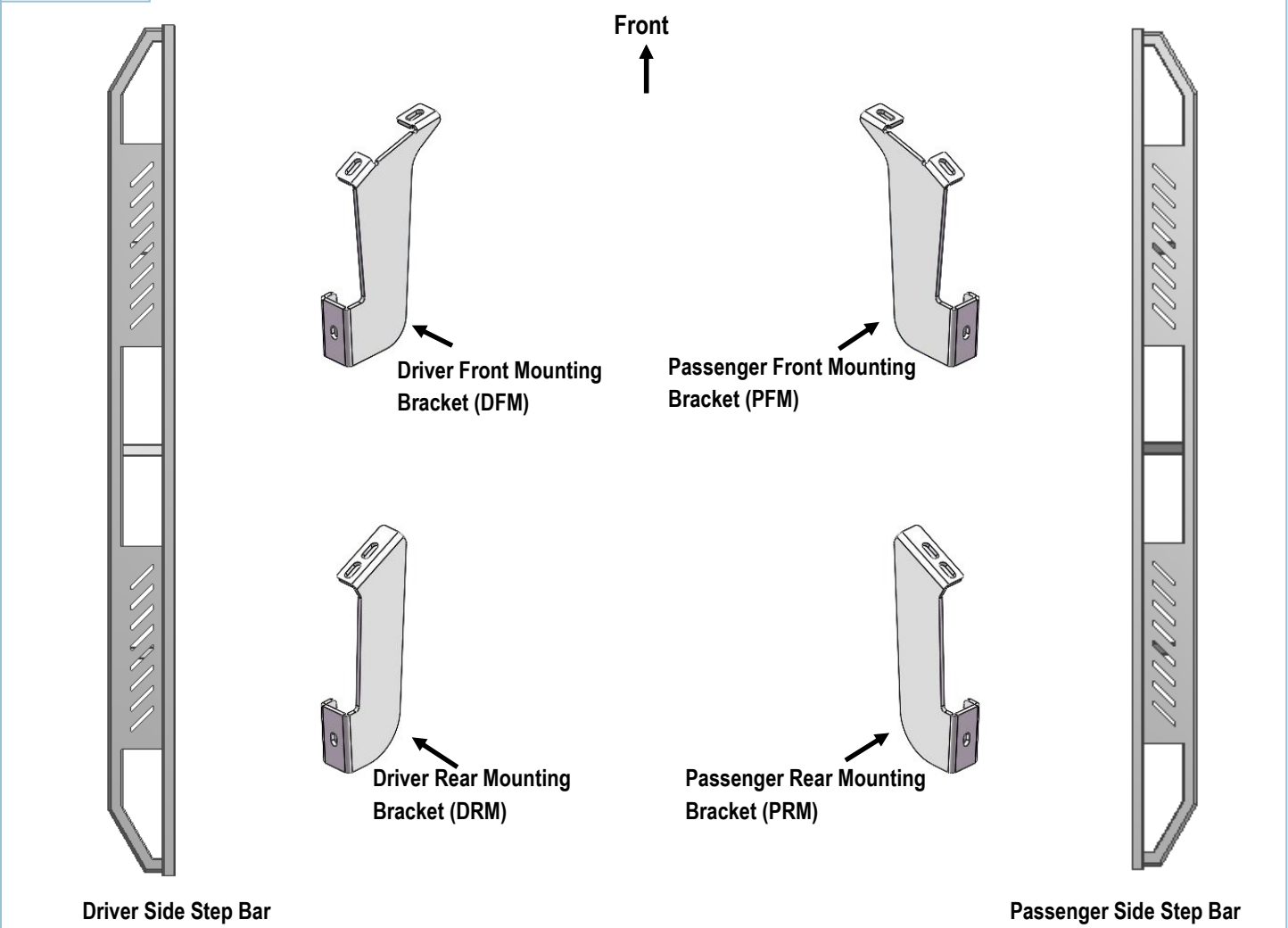
***ROCKER PANEL MOUNT**

***NO DRILLING / TRIMMING REQUIRED**

Torque Value

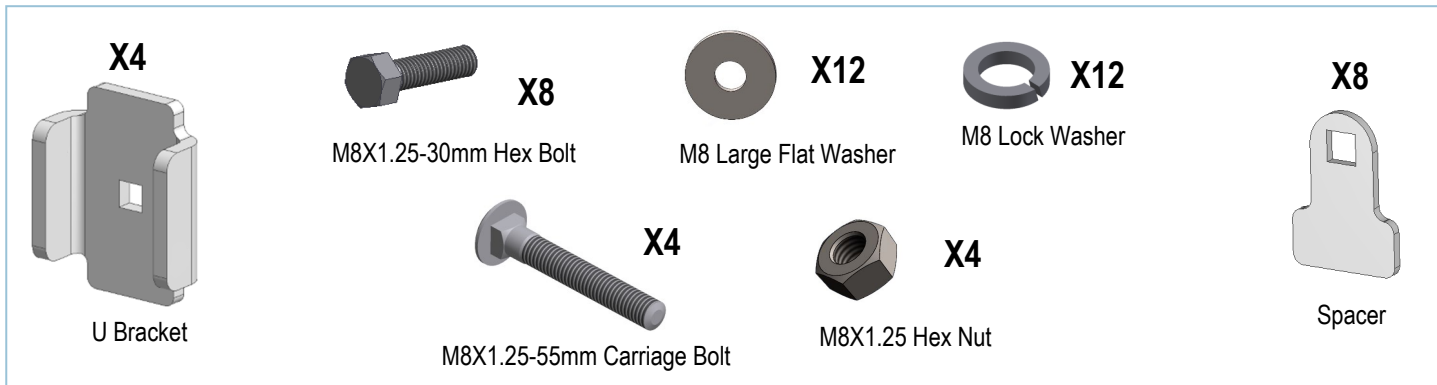
Fastener Size	Tightening Torque (ft-lbs)	Required
6mm	6-7	X
8mm	16-18	√
10mm	31-32	X
12mm	56-58	X
14mm	92-94	X

PART LIST



Customer Support: info@iarmorauto.com

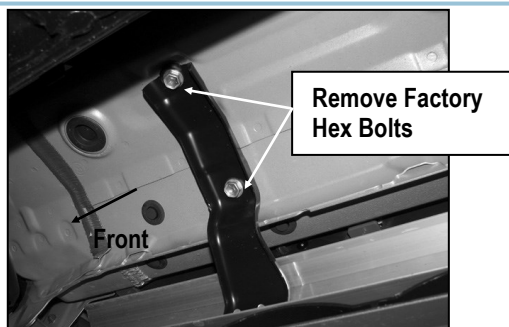
iArmor®



The instruction here is for your reference only. We strongly recommend the professional installer for best result. We are not responsible for any damage caused by the installation.

STEP 1

Start installation on the passenger side of the vehicle. Location the mounting positions, (Fig 1 & 2). Remove the existing (2) factory bolts, (Fig 1 & 2).



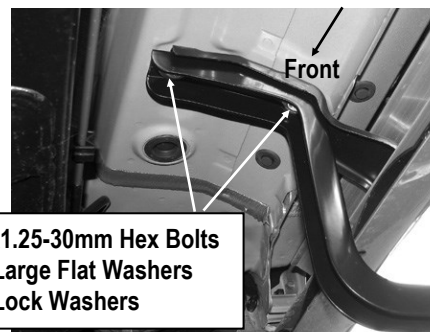
(Fig 1) Passenger Side Front Mounting Location



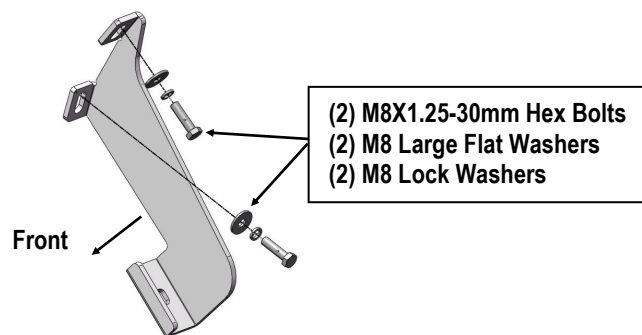
(Fig 2) Passenger Side Rear Mounting Location

STEP 2

Select (1) Passenger Front Mounting Bracket (PFM). Attach the Bracket over the factory bracket, secure the bracket to the vehicle with (2) M8X1.25-30mm Hex Bolts, (2) M8 Lock Washers and (2) M8 Large Flat Washers, (Fig 3 & 4). Do not tighten hardware at this time.



(Fig 3) Passenger Front Mounting Bracket Installation
(Mounting Bracket is varied, For Reference only)

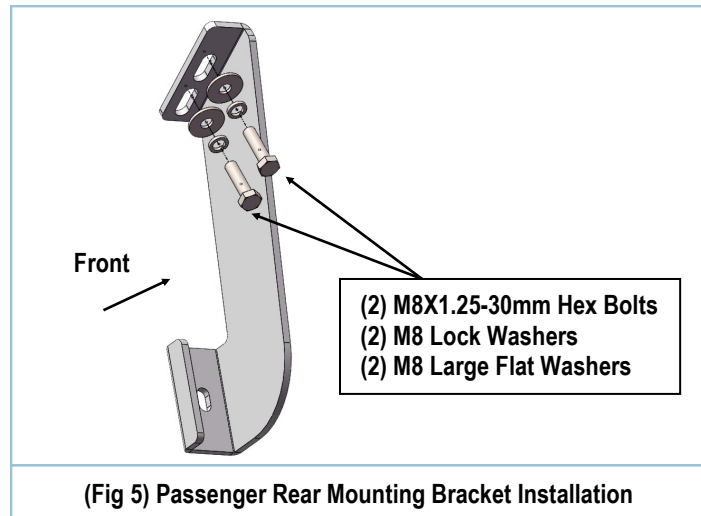


(Fig 4) Passenger Front Mounting Bracket Installation

iArmor[®]

STEP 3

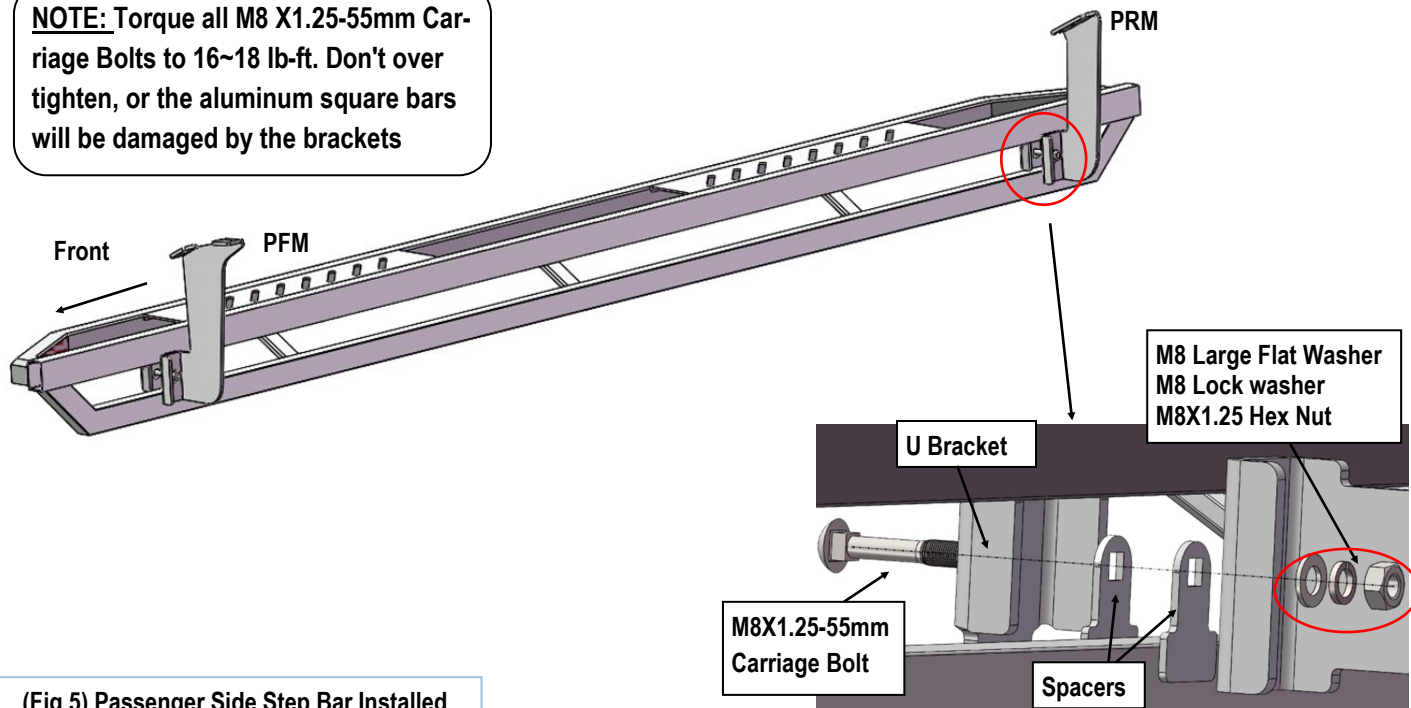
Move to the passenger side rear mounting locations. Repeat **Steps 1-2** to install the Passenger Rear Mounting Bracket (PRM), (Fig 5). Do not fully tighten hardware at this time.



STEP 4

Once all (2) passenger side mounting brackets are installed, select and attach the Passenger Side Step Bar onto the Mounting Brackets with (2) U Brackets, (4) Spacers, (2) M8X1.25-55mm Carriage Bolts, (2) M8 Large Flat Washers, (2) M8 Lock Washers and (2) M8X1.25 Hex Nuts (Fig 5). Do not fully tighten hardware at this time.

NOTE: Torque all M8 X1.25-55mm Carriage Bolts to 16~18 lb-ft. Don't over tighten, or the aluminum square bars will be damaged by the brackets



iArmor[®]

STEP 5

Properly level and adjust the Step Bar and fully tighten all hardware.

STEP 6

Move to the driver side of the vehicle. Repeat **Steps 1-5** to install driver side step bar.

Installation completed.

Attention

Do periodic inspections to the installation to make sure that all hardware is secure and tight.

In order to protect your bars/boards, please use only mild soap/non-abrasive products for cleaning.