

# iArmor<sup>®</sup>

## iArmor<sup>®</sup> by APS

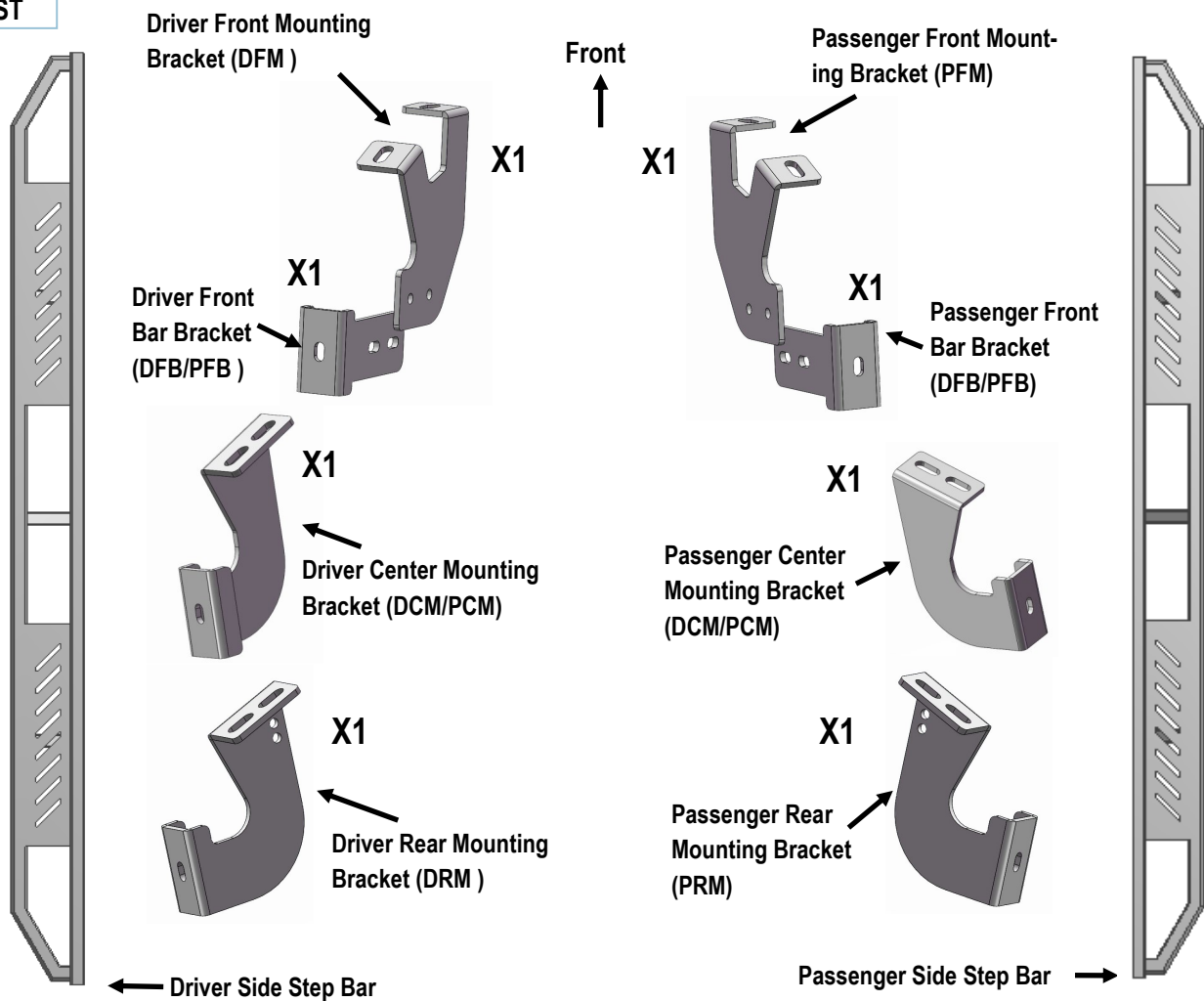
PART#: IA-S097&S098

### BEFORE INSTALLATION

REMOVE CONTENTS FROM BOX. VERIFY ALL PARTS ARE PRESENT. READ INSTRUCTIONS CAREFULLY BEFORE STARTING INSTALLATION. ASSISTANCE IS RECOMMENDED. THANK YOU FOR CHOOSING OUR PRODUCT!

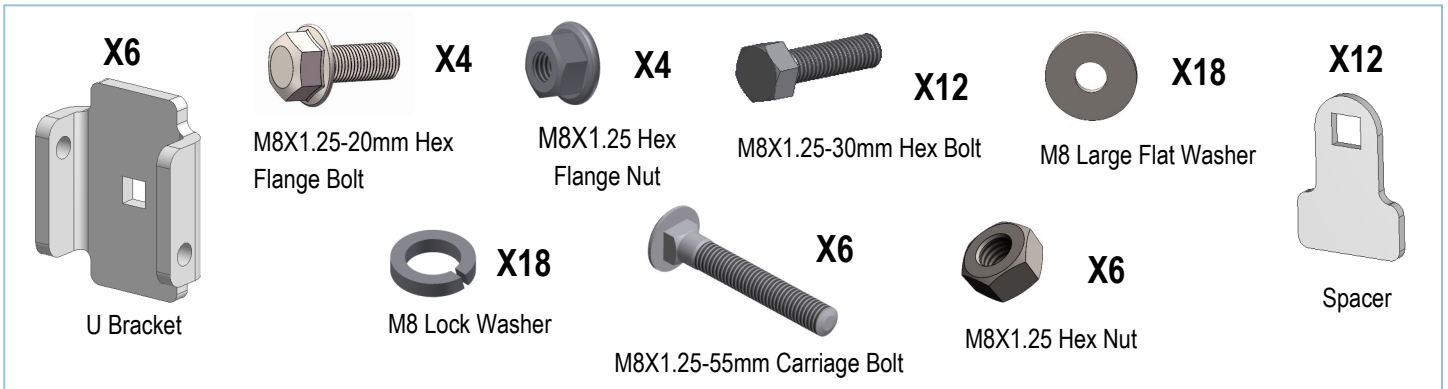
Fastener Size	Tightening Torque (ft-lbs)
6mm	6-7
8mm	16-18
10mm	31-32
12mm	56-58
14mm	92-94

### PART LIST



Customer Support: [info@iarmorauto.com](mailto:info@iarmorauto.com)

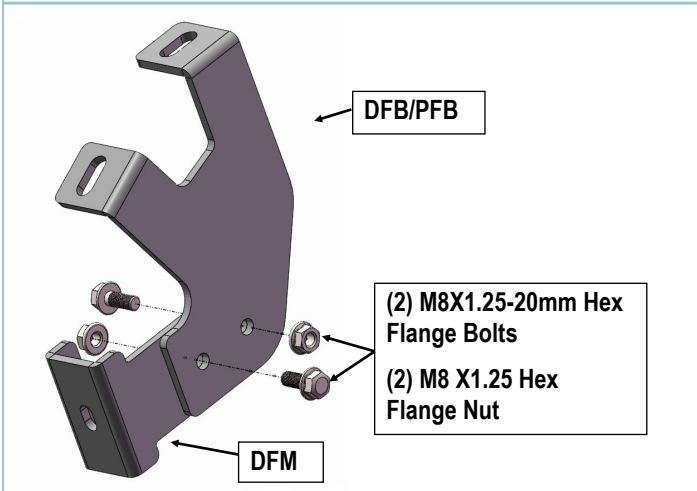
# iArmor®



The instruction here is for your reference only. We strongly recommend the professional installer for best result. We are not responsible for any damage caused by the installation.

## STEP 1

Start installing from driver side of the vehicle. Assemble Driver Front Mounting Bracket (DFM) and Driver Front Bar Bracket (DFB/PFB) with (2) M8X1.25-20mm Hex Flange Bolts and (2) M8X1.25 Hex Flange Nuts, as shown (Fig 1).



(Fig 1) Driver Front Brackets Assembly

## STEP 2

Determine driver side mounting locations: Front, Center and Rear Mounting Locations (Fig 2 & 3).



(Fig 2) Driver Side Front Mounting Location Pictured



(Fig 3) Driver Side Center Mounting Location Pictured

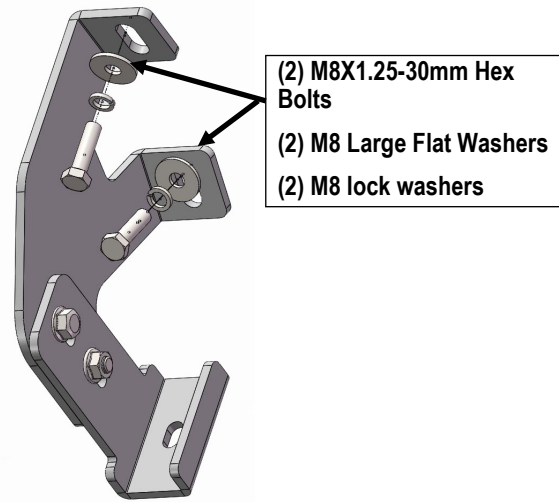
# iArmor®

## STEP 3

Attach the Assembled Driver Mounting Brackets to the underside of body panel using (2) M8X1.25-30mm Hex Bolts, (2) M8 Large Flat Washers and (2) M8 lock washers. Don't tighten at this time, (Fig 4).

## STEP 4

Repeat Steps 3-4 to install the remaining driver side center and rear mounting brackets. **Note:** Driver Rear Mounting Bracket (DRM) has two identification holes.

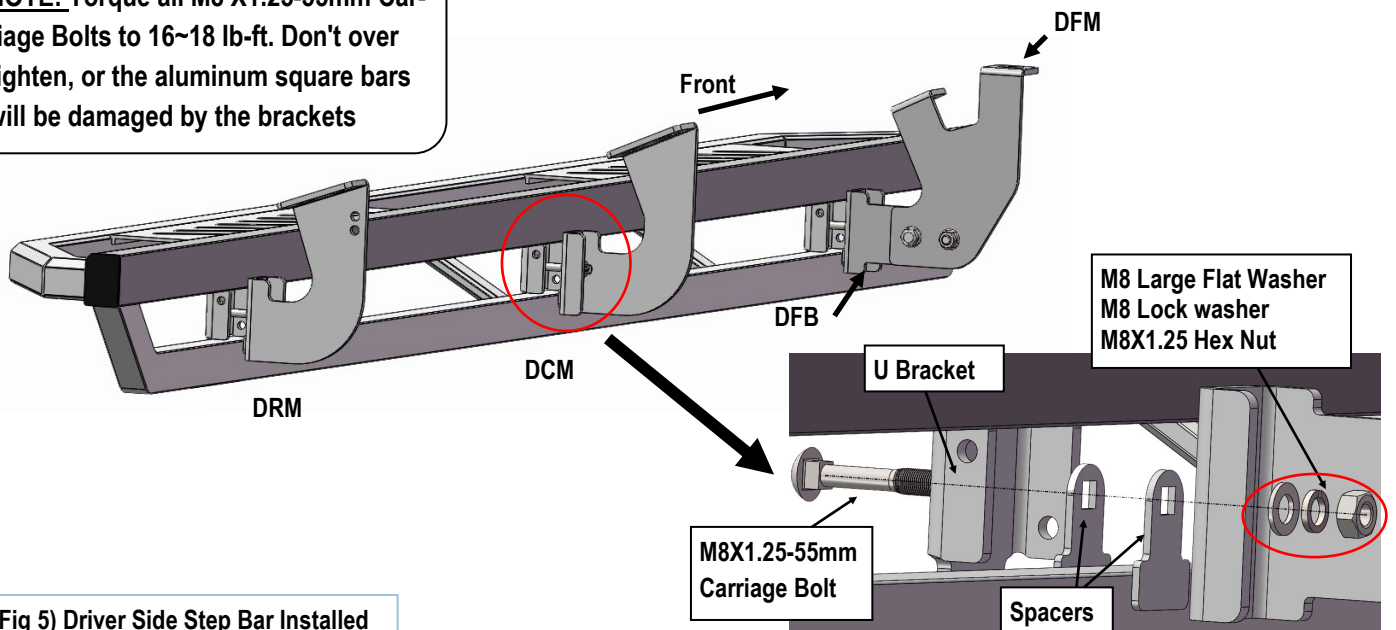


(Fig 4) Driver Front Mounting Bracket Pictured

## STEP 5

Once all (3) driver side mounting brackets are installed, select and attach the Driver Side Step Bar onto the Mounting Brackets with (3) U Brackets, (6) Spacers, (3) M8X1.25-55mm Carriage Bolts, (3) M8 Large Flat Washers, (3) M8 Lock Washers and (3) M8X1.25 Hex Nuts (Fig 5). Do not fully tighten hardware at this time.

**NOTE:** Torque all M8 X1.25-55mm Carriage Bolts to 16~18 lb-ft. Don't over tighten, or the aluminum square bars will be damaged by the brackets



(Fig 5) Driver Side Step Bar Installed

# iArmor®

## STEP 6

Properly level and adjust the Step Bar and fully tighten all hardware.

## STEP 7

Move to the passenger side of the vehicle. Repeat **Steps 1-6** to install passenger side step bar.

Installation completed (**Fig 6**).



(Fig 6) Installation Completed

### Attention

**Do periodic inspections to the installation to make sure that all hardware is secure and tight.**

**In order to protect your bars/boards, please use only mild soap/non-abrasive products for cleaning.**