

iBoard®

iBoard® by APS

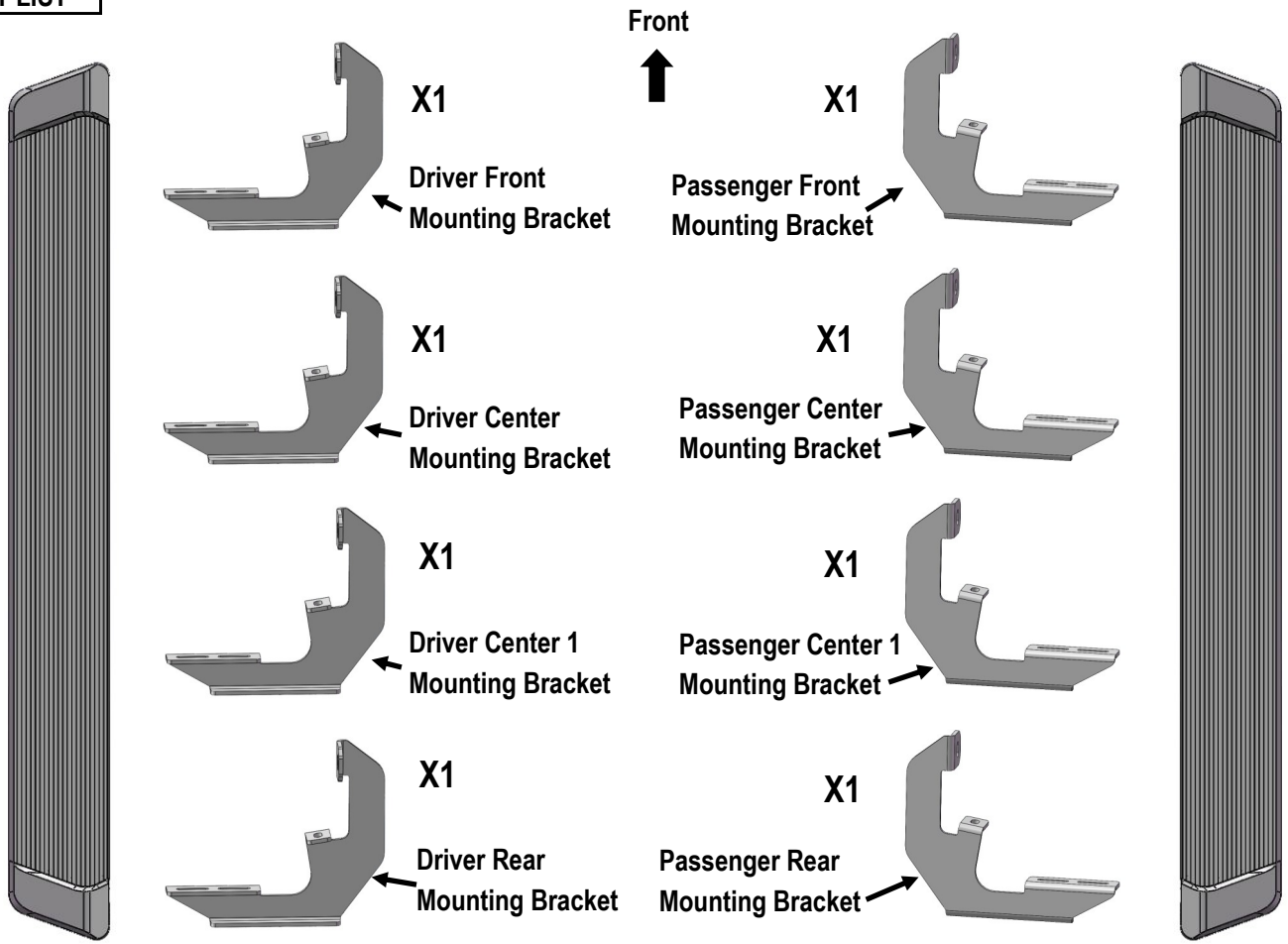
PART#: IB-R171A_B

READ INSTRUCTIONS CAREFULLY BEFORE STARTING INSTALLATION. REMOVE CONTENTS FROM BOX AND VERIFY ALL PARTS ARE PRESENT. ASSISTANCE IS RECOMMENDED.

***ROCKER PANEL MOUNT**

Fastener Size	Tightening Torque (ft-lbs)
6mm	6-7
8mm	16-18
10mm	31-32
12mm	56-58
14mm	92-94

PART LIST



Note: All (8) Mounting Brackets are universal

Customer Support: info@iboardauto.com

iBoard®



X16

M8X1.25-30mm
Hex Bolt



X16

M8 Large Flat Washer



X16

M8 Lock Washer



X16

M6X1-20mm
Square Head Bolt



X16

M6 Large Flat Washer



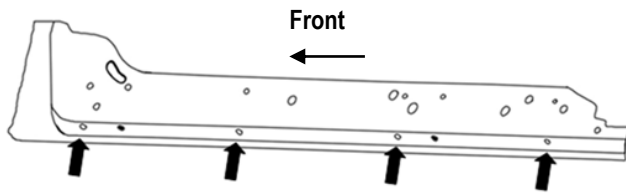
X16

M6X1 Nylon Lock
Nut

STEP 1

Start the installation under the passenger side of the vehicle. Locate the 6 plugs along the bottom edge of the body. Mounting Brackets will bolt to the 1st, 3rd, 4th and 6th threaded mounting holes, (**Fig 1**). Remove the plastic plugs from each mounting location. Directly above each threaded insert is a top mounting location on the side of the body panel. Hold a Bracket up in place to help determine the mounting holes to use along the body.

NOTE: Thread an 8mm Hex Bolt into the threaded inserts to clear paint as required.

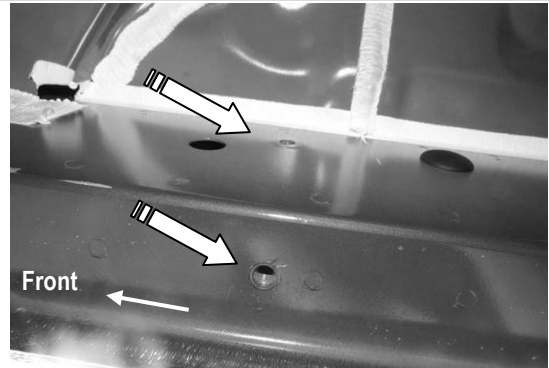


(Fig 1) Passenger Side Mounting Location

STEP 2

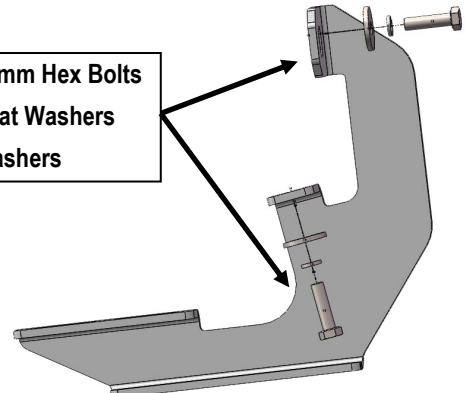
Start from the Passenger Side Front Mounting location, (**Fig 2**). Bolt the Passenger Front Mounting Bracket to the factory threaded holes with (2) M8X1.25-30mm Hex Bolts, (2) M8 Large Flat Washers and (2) M8 Lock Washers (**Fig 3**). Don't fully tighten hardware at this time.

Note: (8) Mounting Brackets are universal.



(Fig 2) Passenger Side Front Mounting Location

(2) M8X1.25-30mm Hex Bolts
(2) M8 Large Flat Washers
(2) M8 Lock Washers



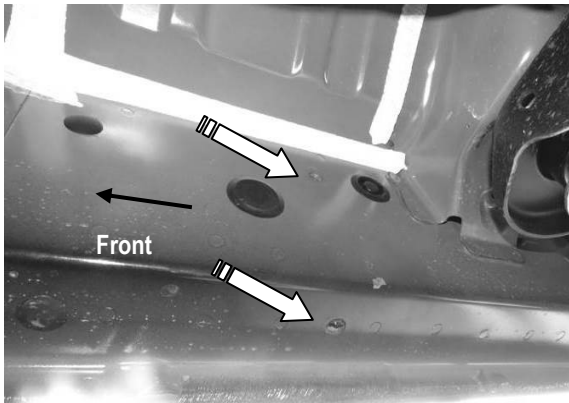
(Fig 3) Passenger Front Mounting Bracket Installed

STEP 3

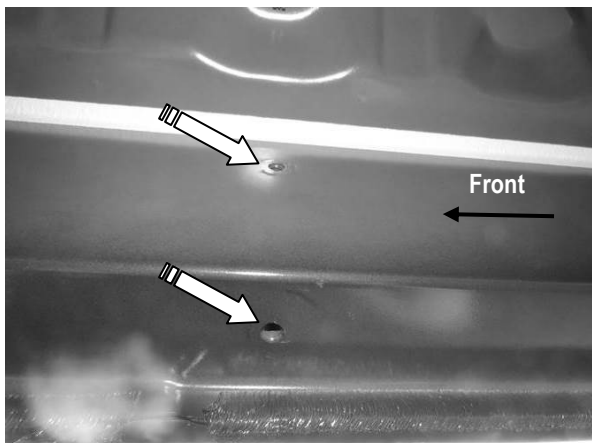
Move to Passenger 2nd, 3rd and rear Mounting locations, (**Fig 4-6**). Repeat **Step 2** to install the Passenger Center Mounting Bracket, Passenger Center 1 Mounting Bracket and Passenger Rear Mounting Bracket. Don't fully tighten at this time.

iBoard®

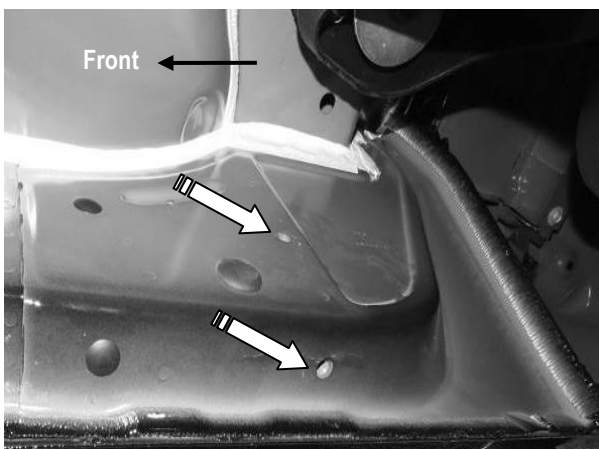
STEP 4



(Fig 4) Passenger 2nd Mounting Bracket Location



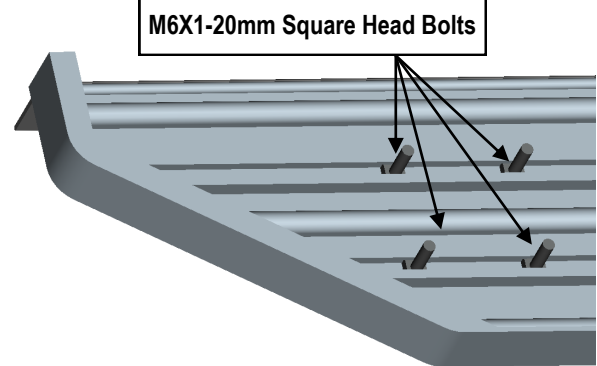
(Fig 5) Passenger 3rd Mounting Bracket Location



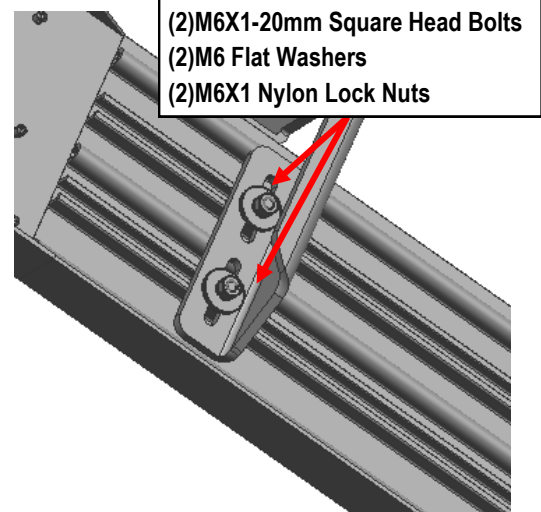
(Fig 6) Passenger Rear Mounting Bracket Location

Select a Running Board. Slip (4) M6x1-20mm Square Head Bolts into each bottom channel (Fig 7). Carefully position the Running Board onto the (4) Mounting Brackets.

IMPORTANT: Do not slide the Running Board on the Brackets or the bottom surface of the board will be damaged. Attach the Running Board to each Mounting Bracket with (2) M6x1-20mm Square Head Bolts, (2) M6 Large Flat Washers and (2) M6 X1 Nylon Lock Nuts (Fig 8). Do not fully tighten at this time.



(Fig 7) Slip (4) M6X1-20mm Square Head Bolts Into Each Bottom Channel



(Fig 8) Running Board Installed Onto Mounting Bracket

iBoard®

STEP 5

Level and adjust the Running Board and fully tighten all hardware.

Important: Please follow the recommended Tightening Torques shown in the table on page 1. Don't over tighten, or the nuts/bolts will be damaged.

STEP 6

Repeat **Steps 1-5** for the other side Running Board installation. The installation is completed (**Fig 9**).



(Fig 9) Installation Completed

Attention

Do periodic inspections to the installation to make sure that all hardware is secure and tight.

In order to protect your bars/boards, please use only mild soap/non-abrasive products for cleaning.