

iBoard®

iBoard® by APS

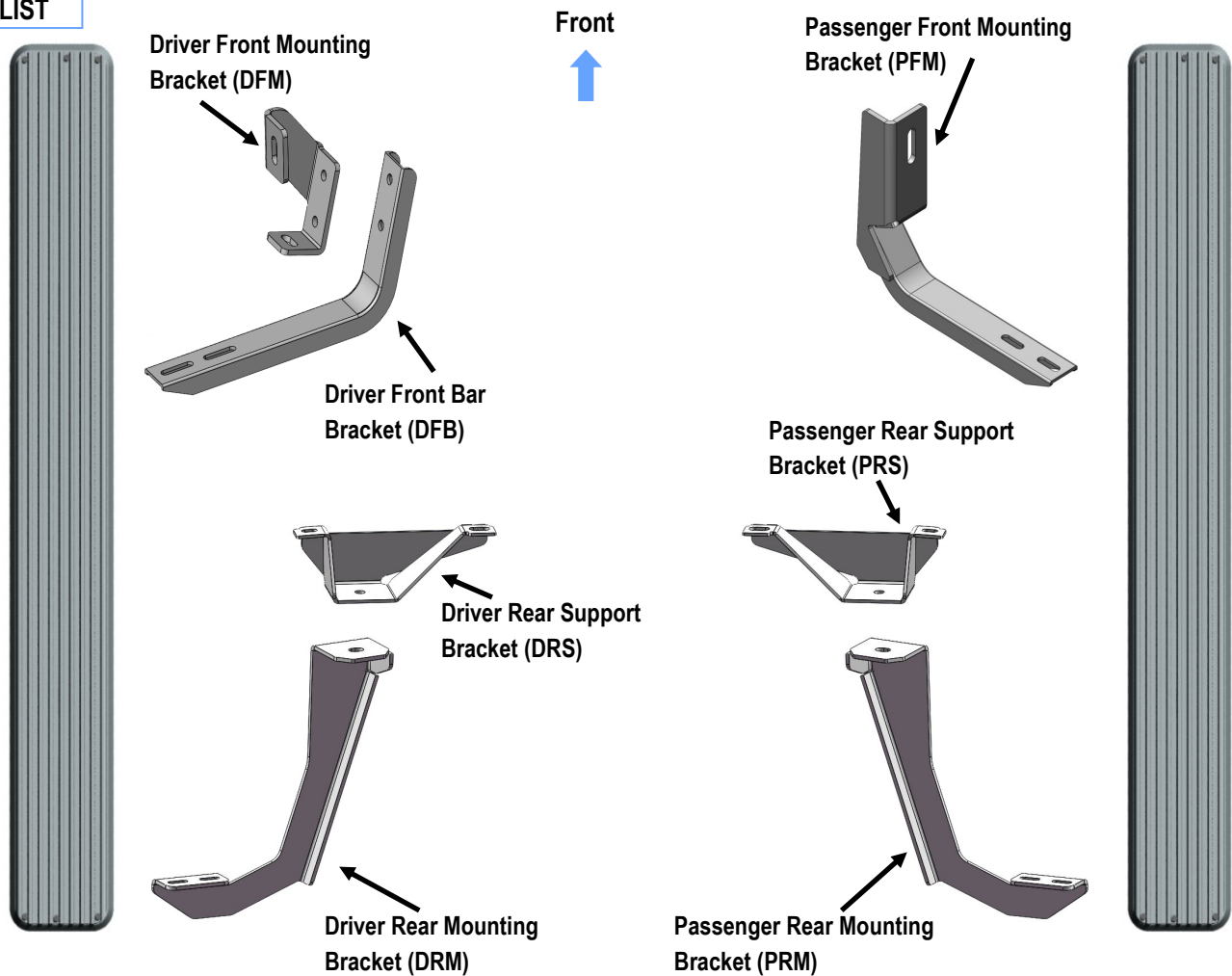
PART#: IB-196[L]-A_B

READ INSTRUCTIONS CAREFULLY BEFORE STARTING INSTALLATION. REMOVE CONTENTS FROM BOX AND VERIFY ALL PARTS ARE PRESENT. ASSISTANCE IS RECOMMENDED.

***ROCKER PANEL MOUNT
*NO DRILLING REQUIRED**

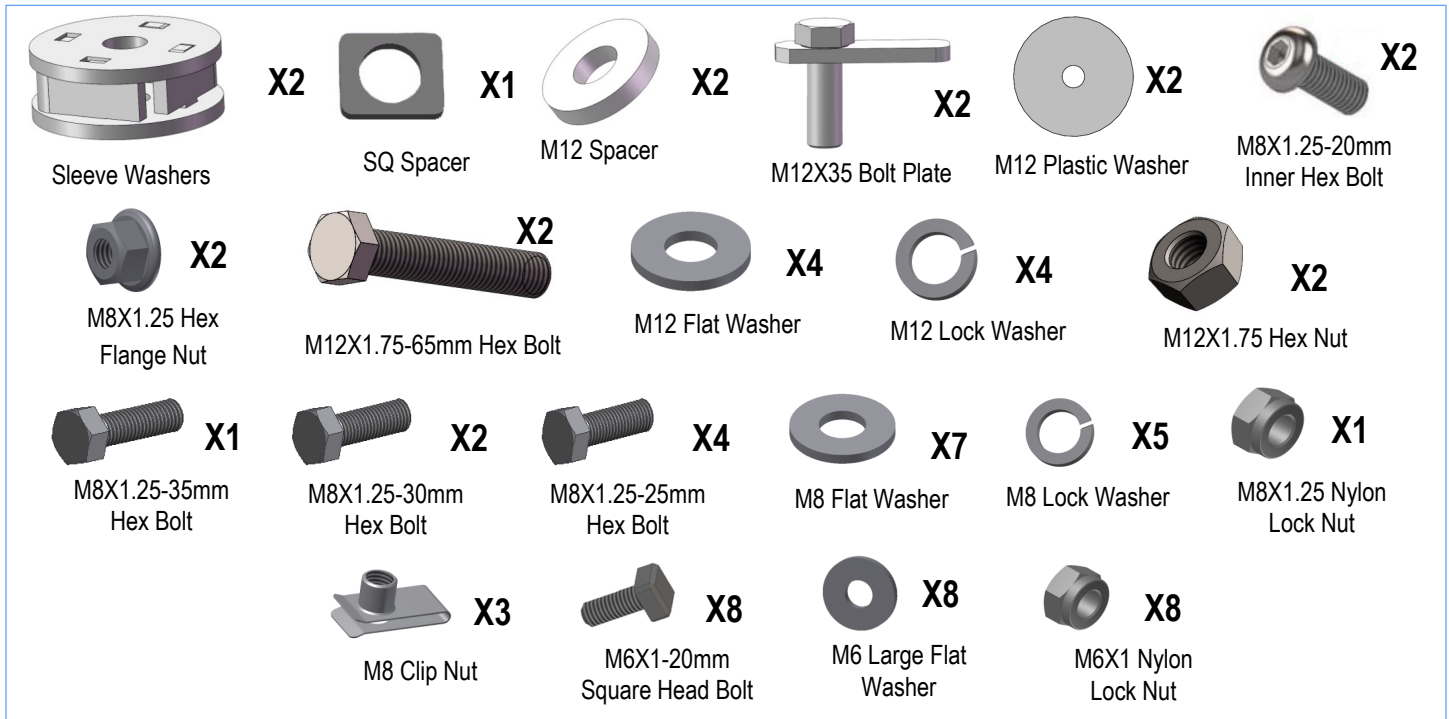
Fastener Size	Tightening Torque (ft-lbs)
6mm	6-7
8mm	16-18
10mm	31-32
12mm	56-58
14mm	92-94

PART LIST



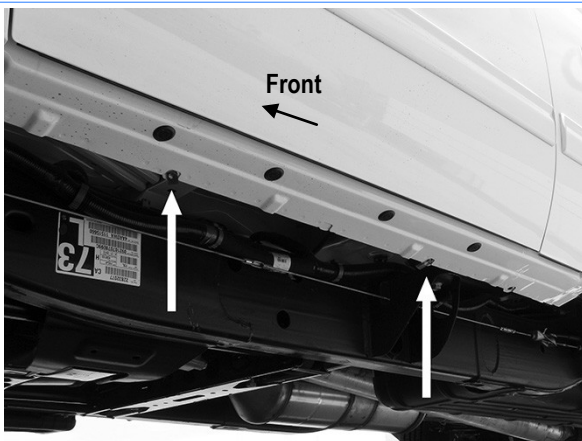
Customer Support: info@iboardauto.com

iBoard®



STEP 1

Start the installation from the driver side of the vehicle. Locate the mounting tabs along the bottom edge of the body, (pinch weld). Mounting brackets will bolt to the mounting tabs. Directly above each tab, there is another upper mounting location on the inner side of the body panel. (Fig 1).



(Fig 1) Driver Side Mounting Locations

STEP 2

Determine the correct procedure for your model year and each Bracket location.

A. Lower mounting location on the edge of the pinch weld

a) Flat tab on pinch weld with factory installed weld nut:

Thread the M8X1.25-25mm Hex Bolt into the welded nut to clear paint from threads as required, (Fig 2).

b) Flat tab on pinch weld with hole (Fig 3,4) :

Select (1) M8 Clip Nut. Slide the Clip Nut over the tab with the nut facing up behind the tab. Line up threaded nut with hole in tab. Repeat this **Step** for Driver Rear mounting location.

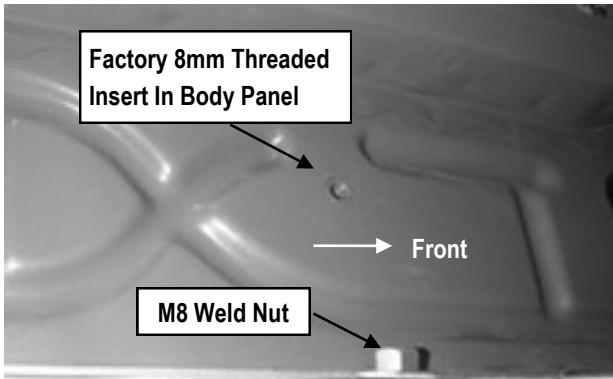
B. Upper mounting location on the inner side of the body panel:

a) Models with factory installed threaded insert in body panel: Thread M8X1.25-25mm Hex Bolt into the threaded insert to clear paint as required, (Fig 2).

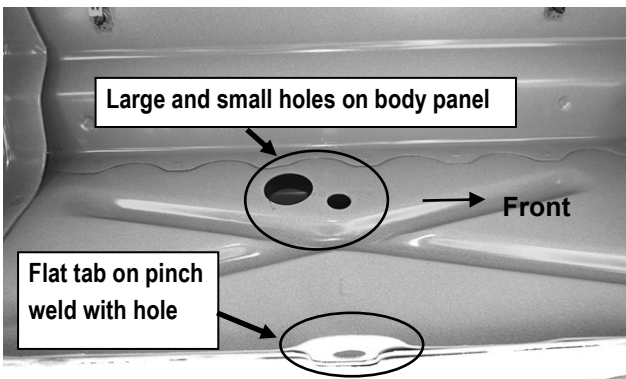
iBoard®

b) Models with large and small holes on the body panel (Fig 3, 4):

Remove the rubber plug from the larger hole. Select (1) M8 Clip Nut. Insert the Clip Nut into the larger hole with the thread facing inner side.



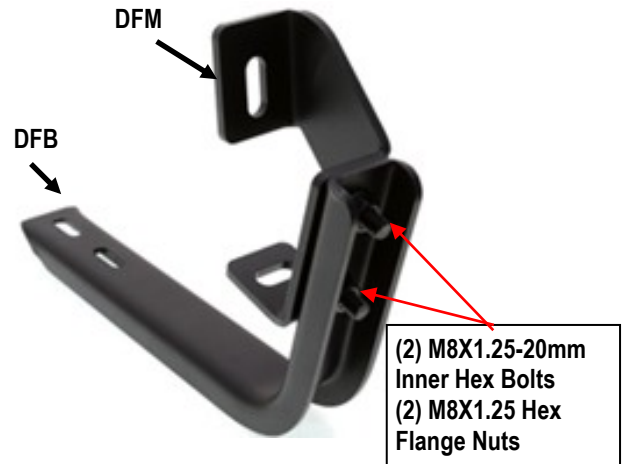
(Fig 2) Driver Front Mounting Bracket Location



(Fig 3) Driver Side Front Mounting Location
(Flat tab on Pinch Weld with hole)

STEP 3

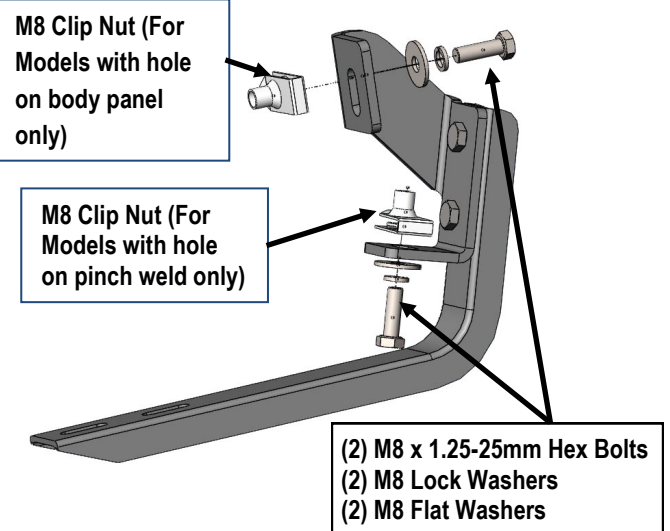
Assemble (1) Driver Front Mounting Bracket (DFM) and (1) Driver Front Bar Bracket (DFB) with (2) M8X1.25-20mm Inner Hex Bolts and (2) M8X1.25 Hex Flange Nuts, (Fig 4). Do not fully tighten hardware at this time.



(Fig 4) Driver Front Mounting Bracket Assembly

STEP 4

Attach (1) Assembled Driver Front Mounting Bracket to the driver side front mounting location with (2) M8x1.25-25mm Hex Bolts, (2) M8 Lock Washers and (2) M8 Flat Washers, (Fig 5). Do not fully tighten hardware at this time.



(Fig 5) Driver Front Mounting Bracket Installed

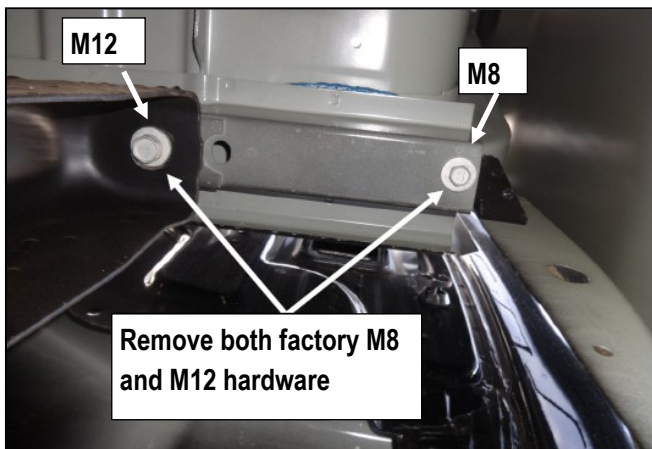
iBoard®

STEP 5

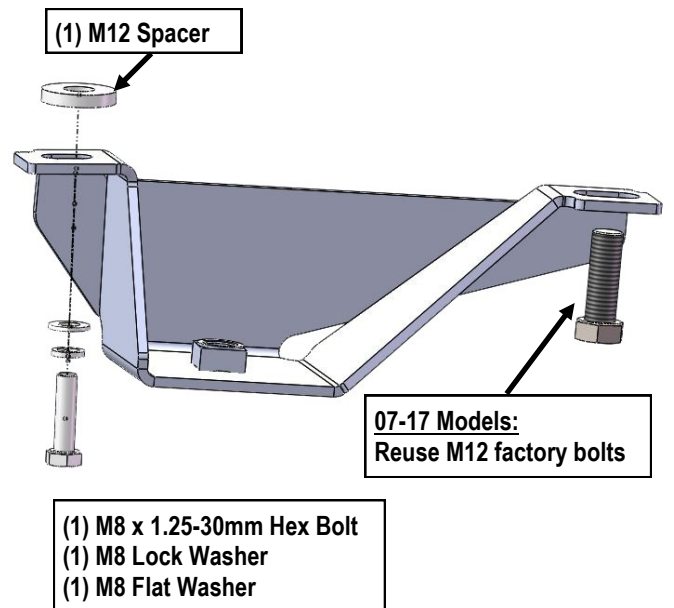
Move to Driver Side Rear Mounting location, directly behind the cab, underneath the bed locate the beam that mounts the bed to the frame. There will be 2 pre-existing bolts, remove both factory M8 and M12 hardware (**Fig 6A**). Select a Driver Rear Support Bracket (**DRS**), bolt the Support Bracket with include (1) M8X1.25-30mm Hex Bolt, (1) M8 Lock Washer, (1) M8 Flat Washer, and (1) (1) M12 Spacer. Do not fully tighten hardware at this time.

07-17 Models: Attach the Driver Rear Support Bracket (**DRS**) with Re-used M12 factory bolts, (**Fig 6B**).

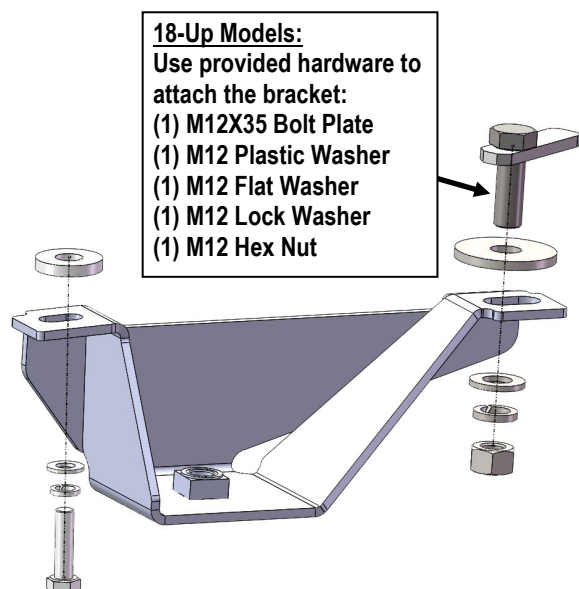
18-Up Models: Attach the Driver Rear Support Bracket (**DRS**) with (1) M12X35 Bolt Plate, (1) M12 Plastic Washer, (1) M12 Flat Washer, (1) M12 Lock Washer and (1) M12 Hex Nut (**Fig 6C**).



(Fig 6A) Driver Side Rear Mounting Location



(Fig 6B) Driver Rear Support Bracket Installed

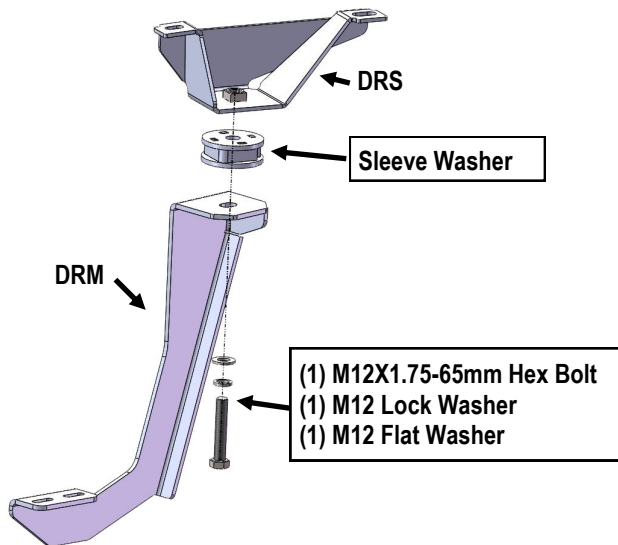


(Fig 6C) Driver Rear Support Bracket Installed

iBoard®

STEP 6

Assemble (1) Driver Rear Mounting Bracket (**DRM**) and (1) Driver Rear Support Bracket (**DRS**) with (1) M12X1.75-65mm Hex Bolt, (1) M12 Lock Washer, (1) Sleeve Washer and (1) M12 Flat Washer, (**Fig 7**). Do not fully tighten hardware at this time.



(Fig 7) Driver Rear Mounting Bracket And Support Bracket Assembly

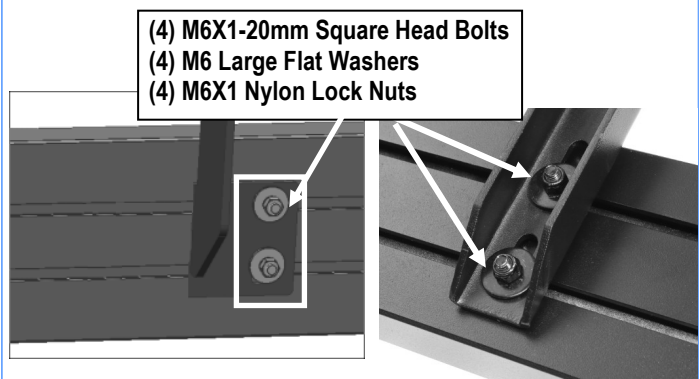
STEP 7

Select a Running Board. Slip (2) M6X1-20mm Square Head Bolts into each bottom channel (**Fig 8**). Carefully position the Running Board onto the (2) Mounting Brackets.

IMPORTANT: Do not slide (front to back) the Running Board on the Brackets or the bottom surface of the running board might be damaged. Attach the Running Board to each Mounting Brackets with (4) M6X1-20mm Square Head Bolts, (4) M6 Large Flat Washers and (4) M6X1 Nylon Lock Nuts (**Fig 9**). Do not fully tighten at this time.



(Fig 8) Slip (2) M6X1-20mm Square Head Bolts Into Each Bottom Channel



(Fig 9) Running Board Installed Onto Mounting Bracket

STEP 8

Move to the passenger side of the vehicle. On the Passenger side, determine if the vehicle is equipped with a plastic diesel exhaust fluid (**DEF**) tank, (**Fig 10-11**).

Models without DEF tank, skip to Step 9.

Models with DEF tank, first determine correct procedure for your model year:

- **07-16 Models with DEF tank:**

The tank sits close to the side of the body. With specialized tools, the Passenger Front Mounting Bracket can be installed but room is limited. It may be easier to drop the tank down to access the inner side of the body panel to mount the bracket. Tank will not need to be removed, only dropped down for access to mounting location.

iBoard®

IMPORTANT: If tank is full, it will be very heavy, and assistance is highly recommended to avoid injury or damage to the vehicle or the tank. It is recommended that installation is performed when the DEF tank is low on fluid before dropping down the tank.

a. On models with plastic lower tray under the tank, remove the (3) hex bolts attaching the tray to the frame, (Fig 10), and remove the tray.

b. Release the tank filler hose. Release the plug for the sending unit on the top of the tank.

c. Support the tank with a floor jack. Place a smooth flat surface, (wooden block for example), between the floor jack and the tank to avoid damaging the plastic tank. Do not push up on the tank; only support the weight of the tank with the jack.

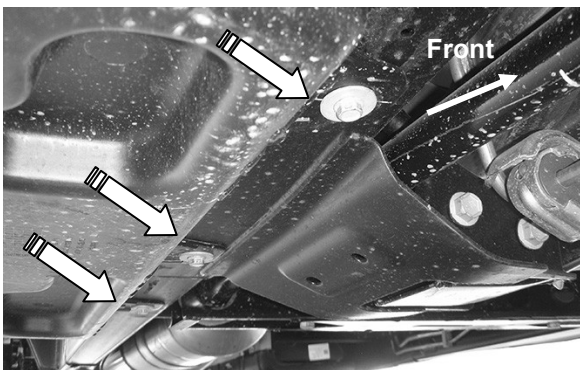
d. Remove the (2) bolts securing the tank straps to the vehicle, (Fig 11). Tilt the straps to release from the brackets. Slowly lower the tank until the top of the tank is almost visible. Use blocks or stands to support the tank while installing the Passenger Front Mounting Bracket.

e. Proceed to **Step 9**

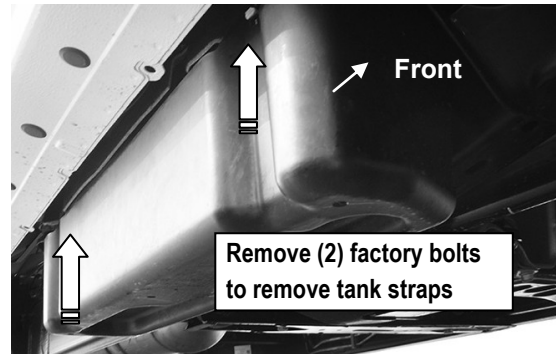
•17-Up 2500/3500 models:

Do not remove the tank. Remove the (4) hex bolts attaching the plastic cover to DEF tank, (Fig 12A) and remove the plastic cover only, (Fig 12B).

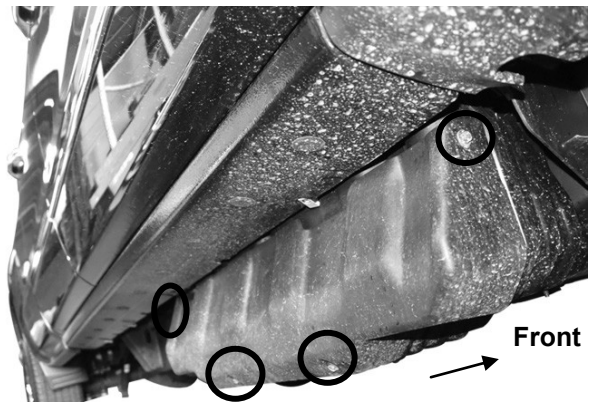
Note: On some trims, It may be easier to drop the tank down to access the inner side of the body panel to mount the bracket.



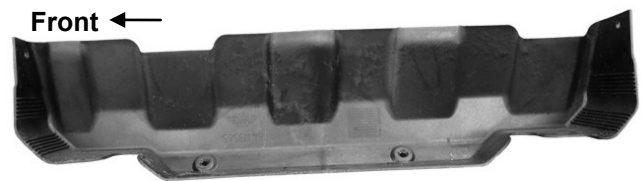
(Fig 10) 07-16 Passenger/Right front pictured with DEF tank cover. Remove (3) hex bolts to remove cover



(Fig 11) Passenger side 07-16 DEF tank and cover



(Fig 12A) 17-on Passenger side pictured with DEF plastic tank cover. Remove (4) hex bolts to remove plastic cover



(Fig 12B) 17-on Passenger side DEF cover removed

iBoard®

STEP 9

Locate the first tab on the edge of the pinch weld, attach the Passenger Front Mounting Bracket (PFM) to the pinch weld and upper body panel (Fig 13 & 14):

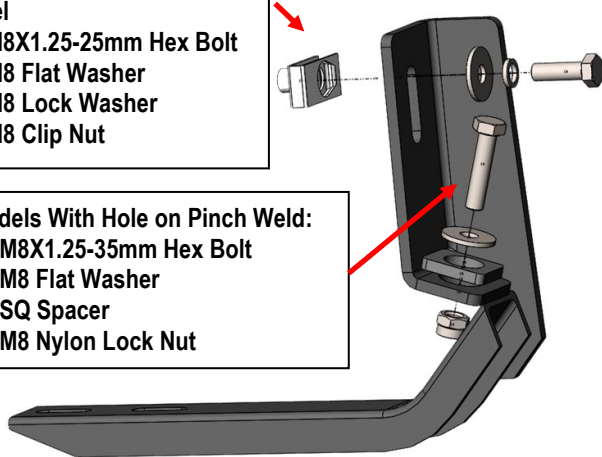
- Models with flat tab and hole:** see Fig 13. Leave loose at this time.
- Models with weld-nut:** see Fig14. Leave loose at this time.

Models with holes on body panel

- (1) M8X1.25-25mm Hex Bolt
- (1) M8 Flat Washer
- (1) M8 Lock Washer
- (1) M8 Clip Nut

Models With Hole on Pinch Weld:

- (1) M8X1.25-35mm Hex Bolt
- (1) M8 Flat Washer
- (1) SQ Spacer
- (1) M8 Nylon Lock Nut



(Fig 13) Passenger Front Mounting Bracket (PFM) Installed (Models with flat tab and hole)

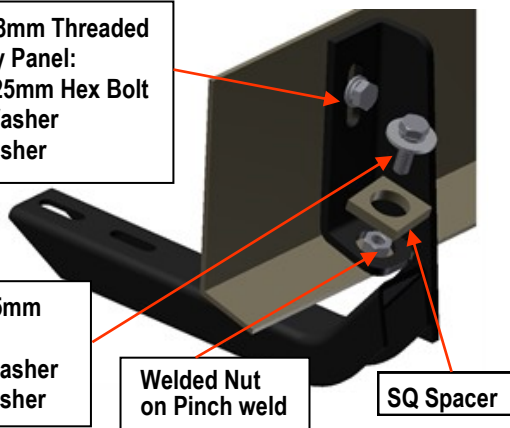
Models With 8mm Threaded Insert In Body Panel:

- (1)M8 x 1.25-25mm Hex Bolt
- (1)M8 Lock Washer
- (1)M8 Flat Washer

- (1)M8x1.25-35mm Hex Bolt
- (1)M8 Lock Washer
- (1)M8 Flat Washer

Welded Nut on Pinch weld

SQ Spacer



(Fig 14) Passenger Front Mounting Bracket (PFM) Installed (Models with welded nut/ threaded insert)

STEP 10

Repeat **Steps 5—6** to install the Passenger Rear Mounting Bracket and Support Bracket.

Once all (2) Passenger side mounting brackets are installed, repeat **Step 7** to install the passenger side running board.

STEP 11

Once the Side Steps are installed and all hardware fully tightened, reinstall the DEF tank and cover, if equipped, which was removed in Step 8.

The installation is completed.

STEP 12

Level and adjust the Running Board and fully tighten all hardware.

Attention

Do periodic inspections to the installation to make sure that all hardware is secure and tight.

In order to protect your bars/boards, please use only mild soap/non-abrasive products for cleaning.