

# iBoard®

## iBoard® by APS

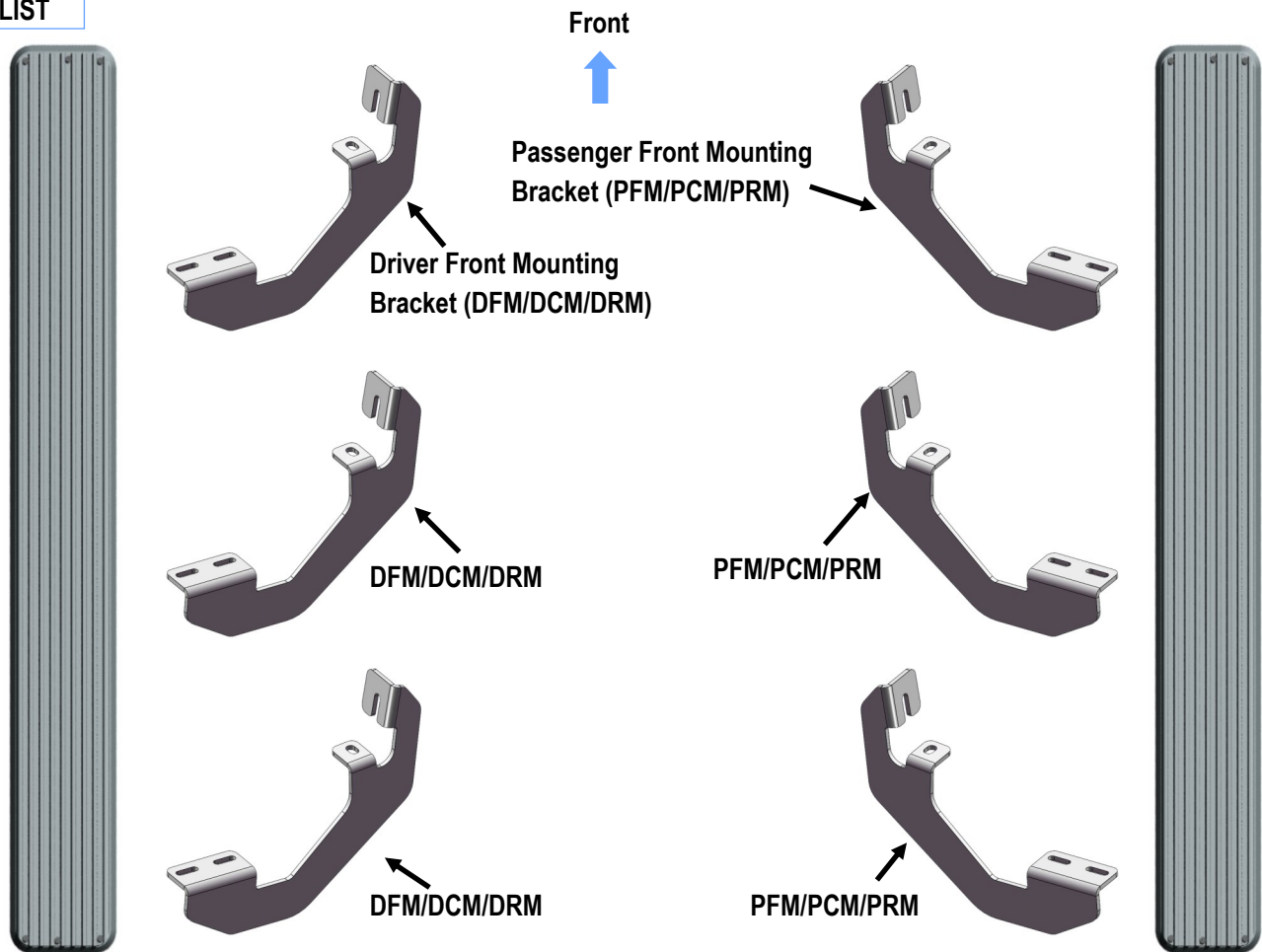
PART#: IB-197[S]&198[S,L]-A\_B

READ INSTRUCTIONS CAREFULLY BEFORE STARTING INSTALLATION. REMOVE CONTENTS FROM BOX AND VERIFY ALL PARTS ARE PRESENT. ASSISTANCE IS RECOMMENDED.

\*ROCKER PANEL MOUNT  
\*No DRILLING REQUIRED

Fastener Size	Tightening Torque (ft-lbs)
6mm	6-7
8mm	16-18
10mm	31-32
12mm	56-58
14mm	92-94

### PART LIST



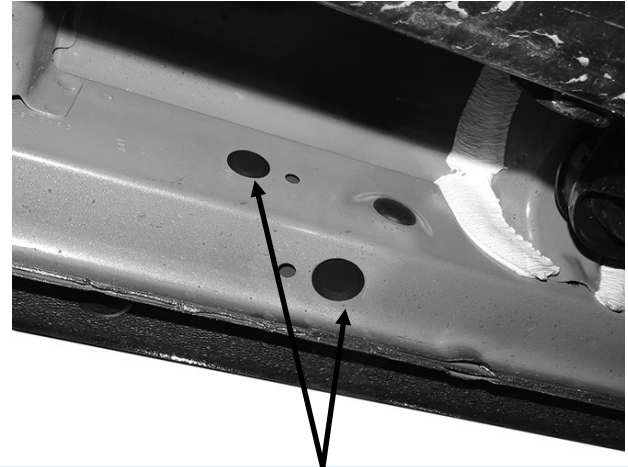
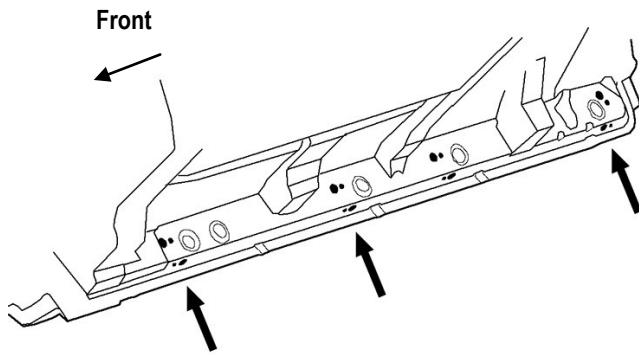
Customer Support: [info@iboardauto.com](mailto:info@iboardauto.com)

# iBoard®

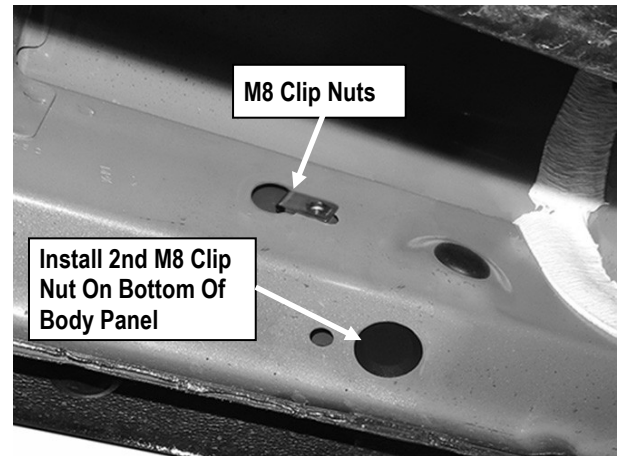


## STEP 1

Start the installation under the passenger side of the vehicle. Locate the 4 factory running board mounting locations along the bottom and inner side of the body, (Fig 1). Mounting Brackets will bolt to the 1st, 2nd and 4th mounting locations.



(Fig 2) Remove Plugs From Mounting Locations As Necessary



(Fig 3) Slide M8 Clip Nut Into Large Hole And Over Small Hole

## STEP 2

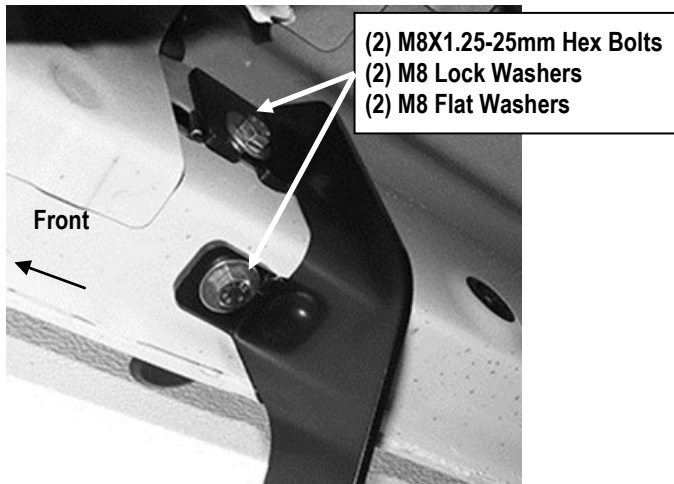
Remove rubber plugs as necessary from the holes in the side and bottom of the inner body panel, (Fig 2). Select (1) M8 Clip Nut. Slide the M8 Clip Nut into the large hole and over the smaller hole next to it in the side of the body panel. Line up threaded nut on the M8 Clip Nut with smaller hole in body panel, (Fig 3). Repeat to install a M8 Clip Nut in the bottom mounting location.

# iBoard®

## STEP 3

Select (1) Passenger Front Mounting Bracket.. Bolt the Passenger Front Mounting Bracket to the (2) M8 Clip Nuts (which were installed on step 2) with (2) M8X1.25-25mm Hex Bolts, (2) M8 Lock Washers and (2) M8 Flat Washers, (Fig 4). Do not fully tighten hardware at this time.

**Note:** All Passenger Side Mounting Brackets are universal.



(Fig 4) Passenger Front Mounting Bracket Installed

## STEP 4

Repeat **Steps 1—3** to install Passenger Center and Rear Mounting Brackets.

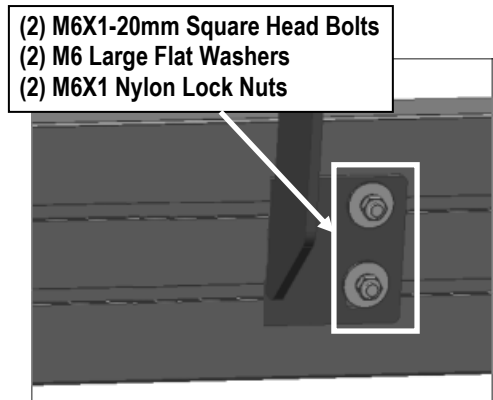
## STEP 5

Select a Running Board. Slip (3) M6x1-20mm Square Head Bolts into each bottom channel (Fig 5). Carefully position the Running Board onto the (3) Mounting Brackets.

**IMPORTANT:** Do not slide the Running Board on the Brackets or the bottom surface of the board will be damaged. Attach the Running Board to each Mounting Bracket with (2) M6x1-20mm Square Head Bolts, (2) M6 Large Flat Washers and (2) M6 X1 Nylon Lock Nuts (Fig 6). Do not fully tighten hardware at this time.



(Fig 5) Slip M6X1-20mm Square Head Bolts Into The Bottom Channels



(Fig 6) Running Board Installed Onto Mounting Bracket

# iBoard®

## STEP 6

Level and adjust the Running Board as necessary and fully tighten all hardware.

## STEP 7

Repeat **Steps 1-6** for the Driver side Running Board installation. The installation is completed (**Fig 7**).



(Fig 7) Installation Completed

### Attention

**Do periodic inspections to the installation to make sure that all hardware is secure and tight.**

**In order to protect your bars/boards, please use only mild soap/non-abrasive products for cleaning.**