

iBoard®



Scan for
Installation Video

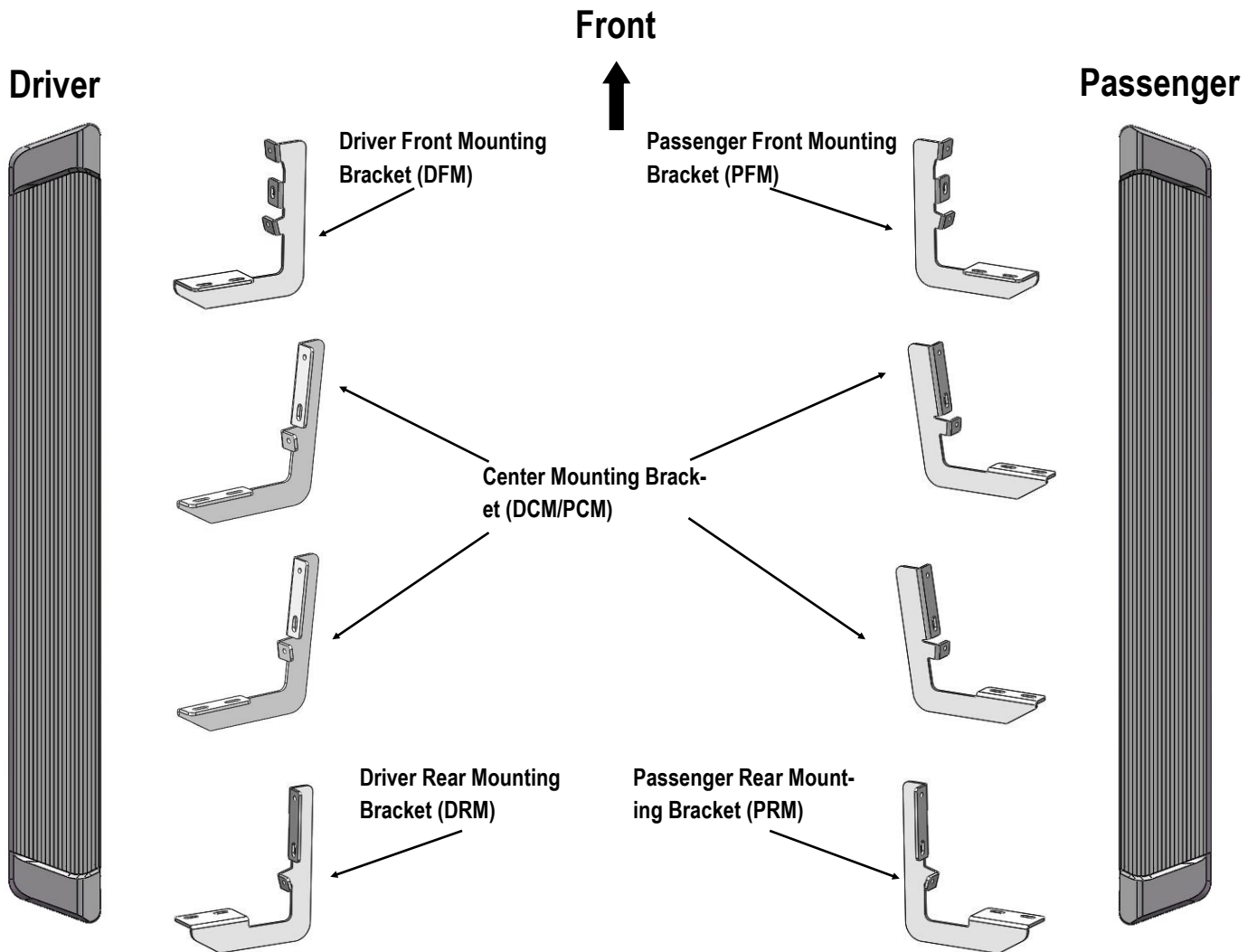
iBoard® by APS

PART#: IB-R002

READ INSTRUCTIONS CAREFULLY BEFORE STARTING INSTALLATION. REMOVE CONTENTS FROM BOX AND VERIFY ALL PARTS ARE PRESENT. ASSISTANCE IS RECOMMENDED.

*ROCKER PANEL MOUNT
*DRILLING IS REQUIRED

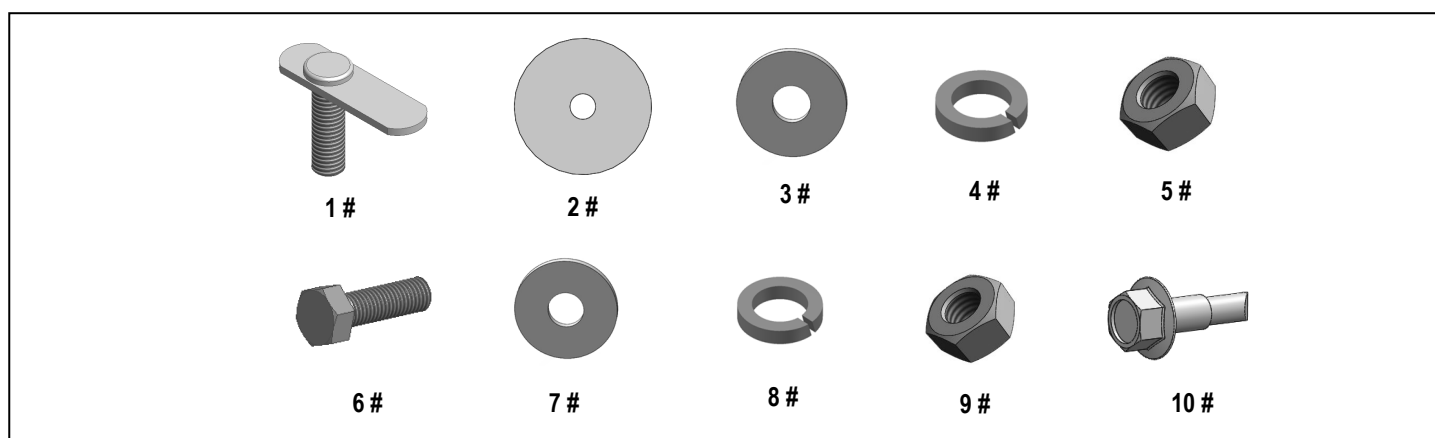
Fastener Size	Tightening Torque (ft-lbs)	Required
6mm	6-7	√
8mm	16-18	X
10mm	31-32	√
12mm	56-58	X
14mm	92-94	X



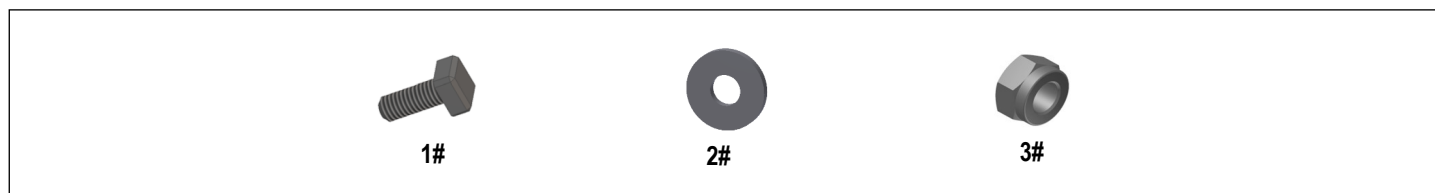
Customer Support: info@iboardauto.com



Hardware Package A (For Bracket Installation)					
Item	QTY	Description	Item	QTY	Description
1#	8	M10X35 Bolt Plates	6#	8	M6X1-25mm Hex Bolts
2#	8	M10 Plastic Washers	7#	16	M6 Flat Washers
3#	8	M10 Flat Washers	8#	8	M6 Lock Washers
4#	8	M10 Lock Washers	9#	8	M6 Hex Nuts
5#	8	M10 Hex Nuts	10#	8	ST6.3X22mm Self Tapping Screws



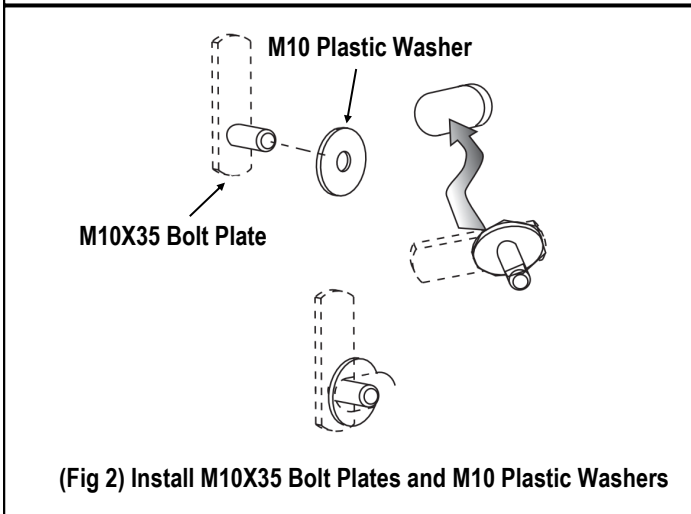
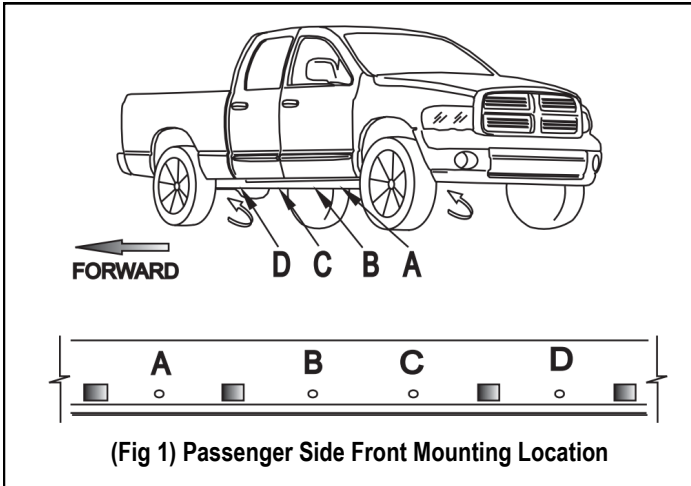
Hardware Package B (For Step Bar Installation)					
Item	QTY	Description	Item	QTY	Description
1#	16	M6X1-20mm Square Head Bolts	3#	16	M6 Nylon Lock Nuts
2#	16	M6 Large Flat Washers			





STEP 1

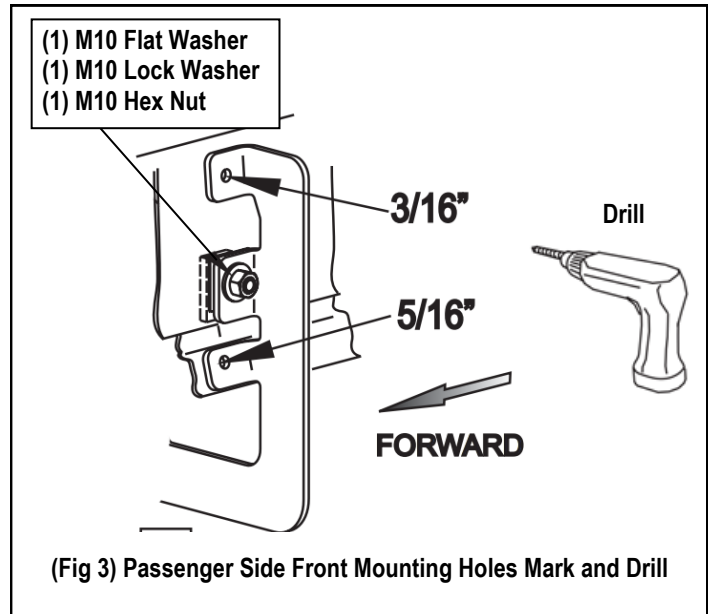
Start the installation from the Passenger side front of the vehicle. Remove the tapes from mounting locations (Fig 1). Install M10X35 Bolt Plates and M10 Plastic Washers as shown, (Fig 2).



STEP 2

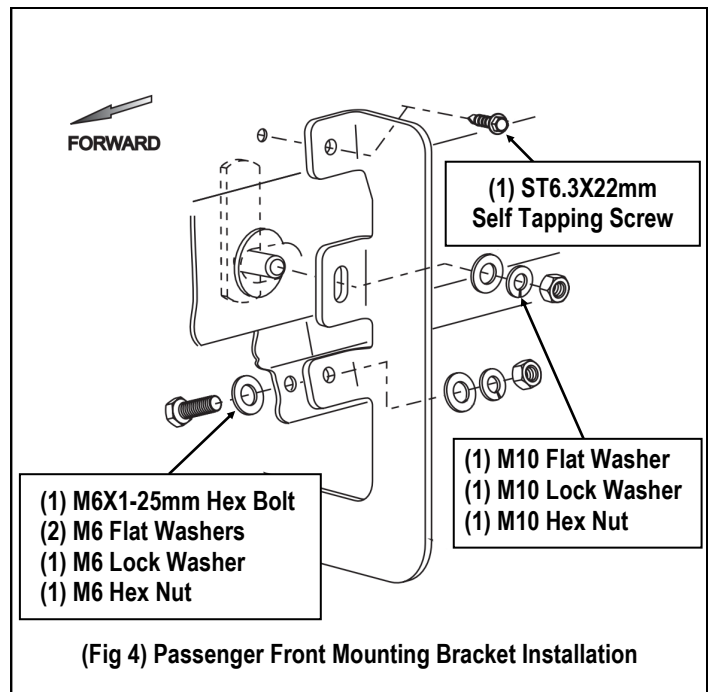
Attach the Passenger Front Mounting Bracket onto the installed M10X35 Bolt Plate on Mounting Location temporary with (1) M10 Flat Washer, (1) M10 Lock Washer and (1) M10 Hex Nut. Mark holes. Remove the bracket and Drill holes as shown, (Fig 3).

NOTE: Be sure to use the correct drill bit size for each hole.



STEP 3

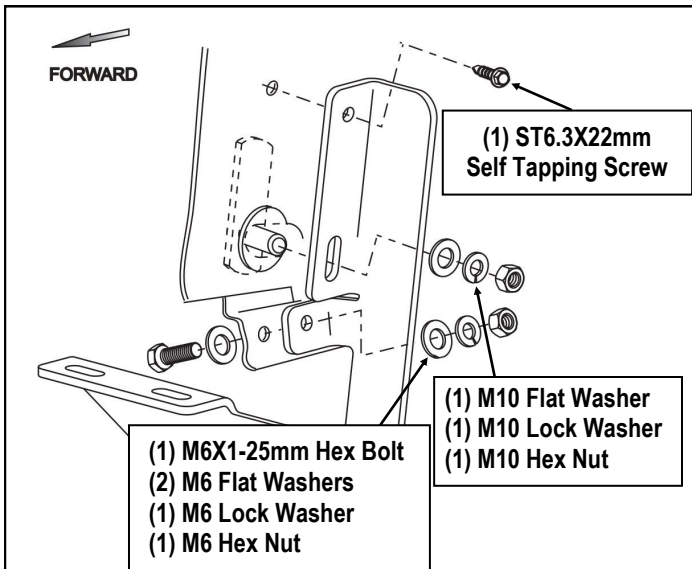
Re-attach the Passenger Front Mounting Bracket to the installed M10X35 Bolt Plate, and secure the mounting bracket as shown on (Fig 4). Don't fully tighten at this time.



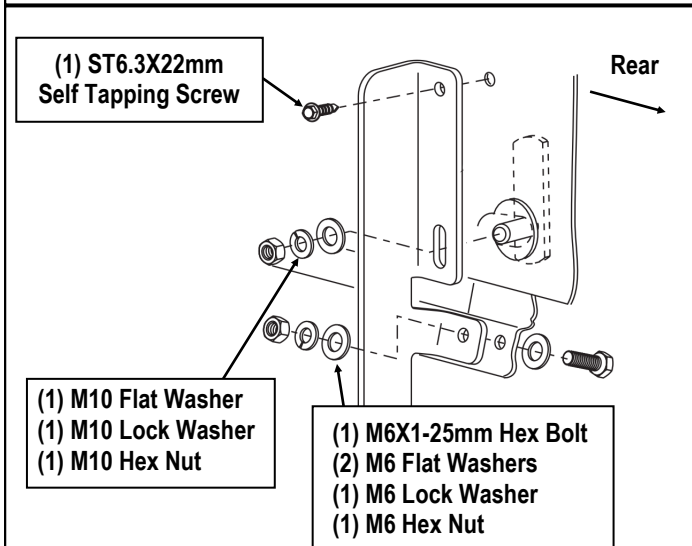


STEP 4

Move to Passenger Side B & C & Rear Mounting Locations, (Fig 1). Repeat **Steps 1-3** to install Passenger Center and Rear Mounting Brackets (Figs 5 & 6). Don't fully tighten the hardware at this time.



(Fig 5) Passenger Center Mounting Bracket Installation



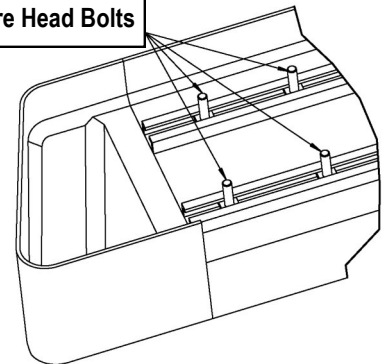
(Fig 6) Passenger Rear Mounting Bracket Installation

STEP 5

Once (4) mounting brackets are installed, select a Running Board. Slip (4) M6X1-20mm Square Head Bolts into each bottom channel (Fig 7). Carefully position the Running Board onto the (4) Mounting Brackets. Attach the Running Board to each Mounting Bracket with (2) M6X1-20mm Square Head Bolts, (2) M6 Large Flat Washers and (2) M6 Nylon Lock Nuts (Fig 8). Do not fully tighten at this time.

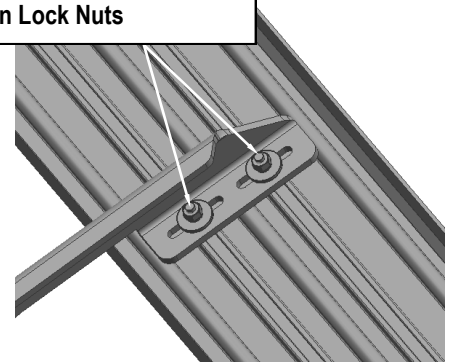
IMPORTANT: Do not slide the Running Board on the Brackets or the bottom surface of the board will be damaged.

M6X1-20mm Square Head Bolts



(Fig 7) Slip M6X1-20mm Square Head Bolts Into The Bottom Channels

(2) M6X1-20mm Square Head Bolts
(2) M6 Large Flat Washers
(2) M6 Nylon Lock Nuts



(Fig 8) Running Board Installed Onto Mounting Bracket



STEP 6

Level and adjust the Running Board and fully tighten all hardware.

Important: Please follow the recommended Tightening Torques shown in the table on page 1. Don't over tighten, or the nuts/bolts will be damaged.

STEP 7

Repeat **Steps 1-6** for the other side Running Board installation. The installation is completed .

Attention

Do periodic inspections to the installation to make sure that all hardware is secure and tight.

In order to protect your bars/boards, please use mild soap/non-abrasive products for cleaning only.