

# iBoard®

## iBoard® by APS

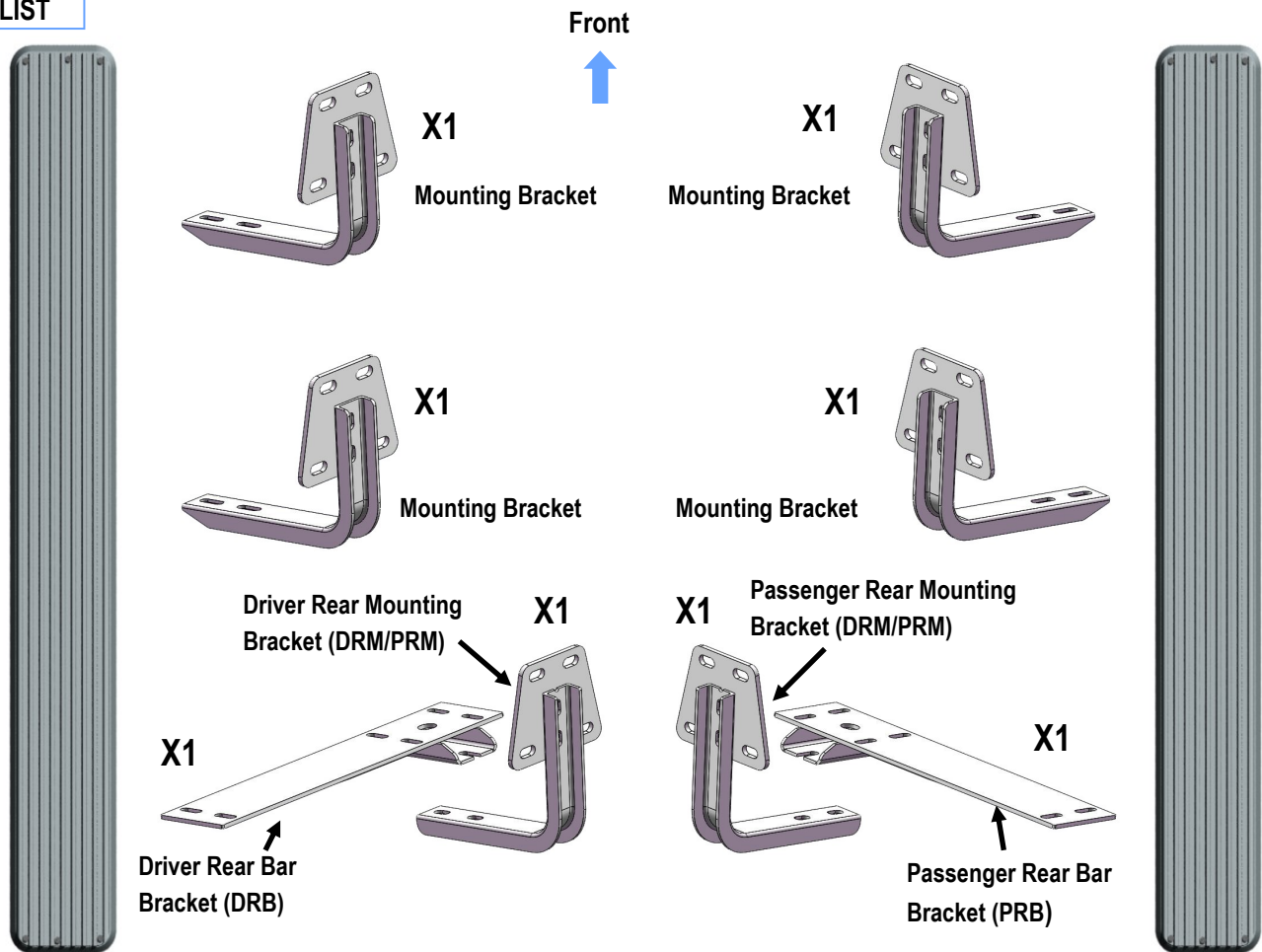
PART#: IB-159[L]&258[S,L]-A\_B

**READ INSTRUCTIONS CAREFULLY BEFORE STARTING INSTALLATION. REMOVE CONTENTS FROM BOX AND VERIFY ALL PARTS ARE PRESENT. ASSISTANCE IS RECOMMENDED.**

**\*ROCKER PANEL MOUNT  
\*No DRILLING REQUIRED**

Fastener Size	Tightening Torque (ft-lbs)
6mm	6-7
8mm	16-18
10mm	31-32
12mm	56-58
14mm	92-94

### PART LIST



Note: (4) Mounting Brackets are universal.  
(2) Driver Rear Mounting Bracket and Passenger Rear Mounting Bracket are universal.

Customer Support: [info@iboardauto.com](mailto:info@iboardauto.com)

# iBoard®



## STEP 1

Starting at the Passenger Side of the vehicle, locate the factory studs on the vehicle.

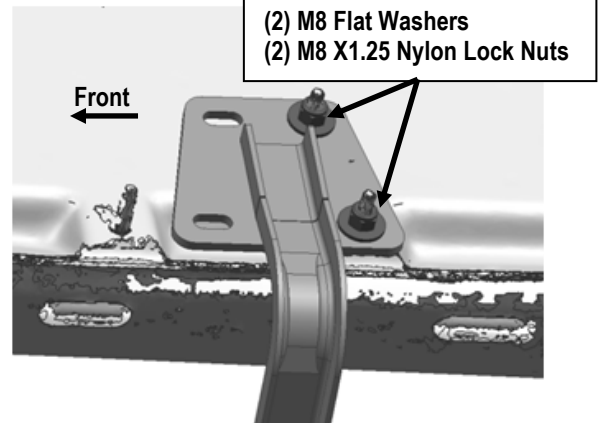


(Fig 1) Passenger Side Mounting Location

## STEP 2

Start from the Passenger side Front Mounting location, (Fig 1). Bolt the Passenger Front Mounting Bracket to the vehicle with: (2) M8 Flat Washers, (2) M8 Nylon Lock Nuts (Fig 3). Do not fully tighten hardware at this time.

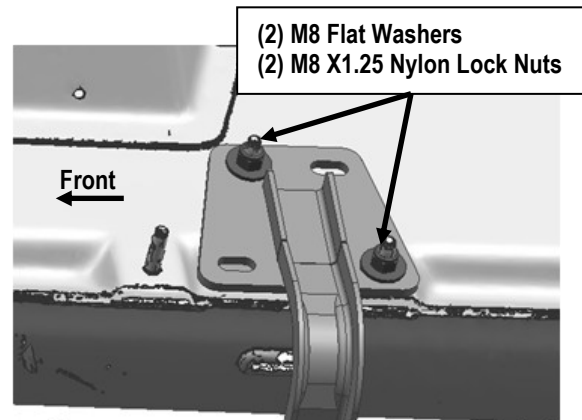
**Note:** All (4) Front and Center Mounting Brackets are universal.



(Fig 2) Passenger Front Mounting Bracket Installed

## STEP 3

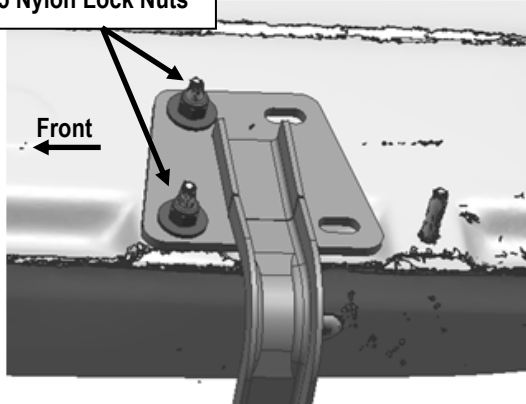
Repeat **Step 2** to install the Passenger Centre Mounting Bracket and Passenger Rear Mounting Bracket (**DRM/PRM**) on Passenger Side of the vehicle. (Fig 3 & 4) Do not fully tighten hardware at this time.



(Fig 3) Passenger Center Mounting Bracket Installed

# iBoard®

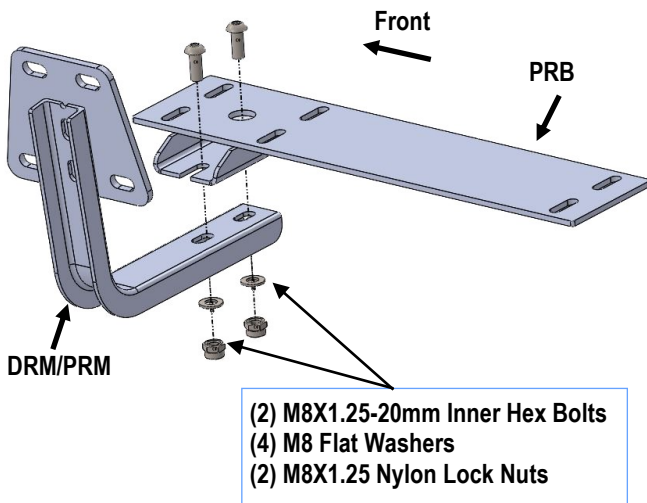
- (2) M8 Flat Washers
- (2) M8 X1.25 Nylon Lock Nuts



(Fig 4) Passenger Rear Mounting Bracket (DRM/PRM) Installed

## STEP 4

Attach the Passenger Rear Bar Bracket (PRB) to the installed Passenger Rear Mounting Bracket (DRM/PRM) with (2) M8X1.25-20mm Inner Hex Bolts, (4) M8 Flat Washers, (2) M8X1.25 Nylon Lock Nuts, (Fig 5). Do not fully tighten hardware at this time.



(Fig 5) Passenger Rear Bar Bracket (PRB) and Passenger Rear Mounting Bracket (DRM/PRM) Assembly

## STEP 5

Select a Running Board. Slip (5) M6X1-20mm Square Head Bolts into each bottom channel (Fig 6). Carefully position the Running Board onto the (3) Mounting Brackets. **IMPORTANT:** Do not slide (front to back) the Running Board on the Brackets or the bottom surface of the running board might be damaged.

Attach the Running Board to Front & Center Mounting Brackets with (2) M6X1-20mm Square Head Bolts, (2) M6 Large Flat Washers and (2) M6X1 Nylon Lock Nuts (Fig 7).

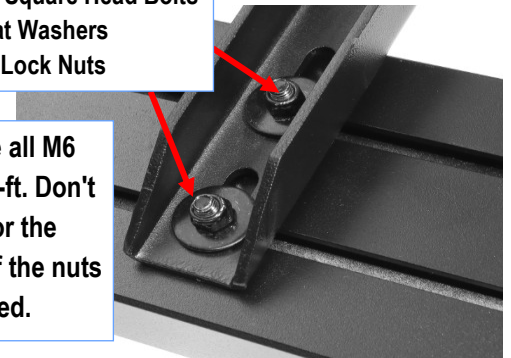
Attach the Running Board to Rear Bar Bracket with (6) M6X1-20mm Square Head Bolts, (6) M6 Large Flat Washers and (6) M6X1 Nylon Lock Nuts (Fig 8). Do not fully tighten hardware at this time.



(Fig 6) Slip M6X1-20mm Square Head Bolts into the bottom channel

- (2) M6X1-20mm Square Head Bolts
- (2) M6 Large Flat Washers
- (2) M6X1 Nylon Lock Nuts

**NOTE:** Torque all M6 Nuts to 6~7 lb-ft. Don't over tighten, or the thread form of the nuts will be damaged.



(Fig 7) Running Board Installed onto Front & Center Mounting Brackets

# iBoard®

## STEP 7

Repeat **Steps 1-6** for the driver side Running Board installation. The installation is completed (**Fig 9**).



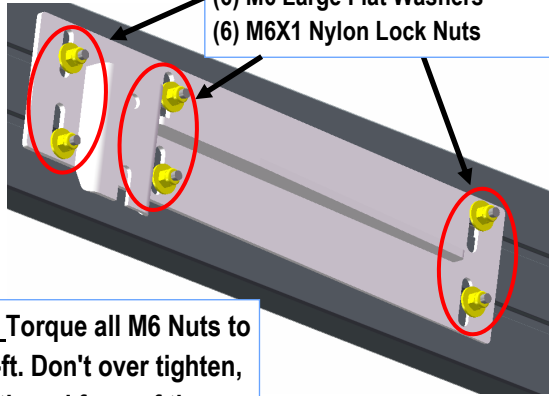
(Fig 9) Installation Completed

### Attention

**Do periodic inspections to the installation to make sure that all hardware is secure and tight.**

**In order to protect your bars/boards, please use only mild soap/non-abrasive products for cleaning.**

- (6) M6X1-20mm Square Head Bolts
- (6) M6 Large Flat Washers
- (6) M6X1 Nylon Lock Nuts



**NOTE:** Torque all M6 Nuts to 6~7 lb-ft. Don't over tighten, or the thread form of the nuts will be damaged.

(Fig 8) Running Board Installed onto Rear Bar Bracket

## STEP 6

Level and adjust the Running Board as necessary and fully tighten all hardware.