

# iBoard®

## iBoard® by APS

PART#: IB-136A-B

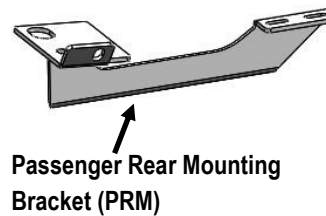
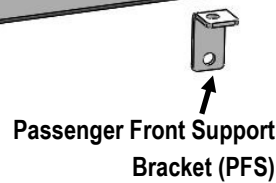
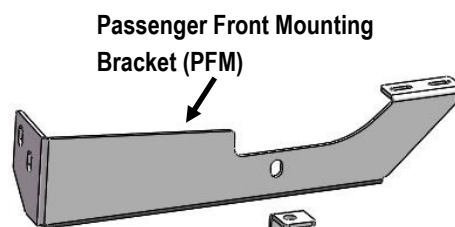
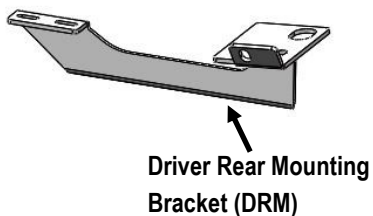
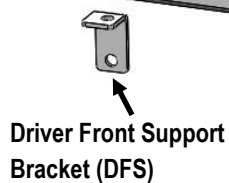
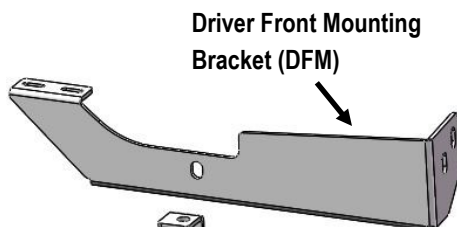
READ INSTRUCTIONS CAREFULLY BEFORE STARTING INSTALLATION. REMOVE CONTENTS FROM BOX AND VERIFY ALL PARTS ARE PRESENT. ASSISTANCE IS RECOMMENDED.

\*BODY FRAME MOUNT  
\*DRILLING IS REQUIRED

Fastener Size	Tightening Torque (ft-lbs)
6mm	6-7
8mm	16-18
10mm	31-32
12mm	56-58
14mm	92-94

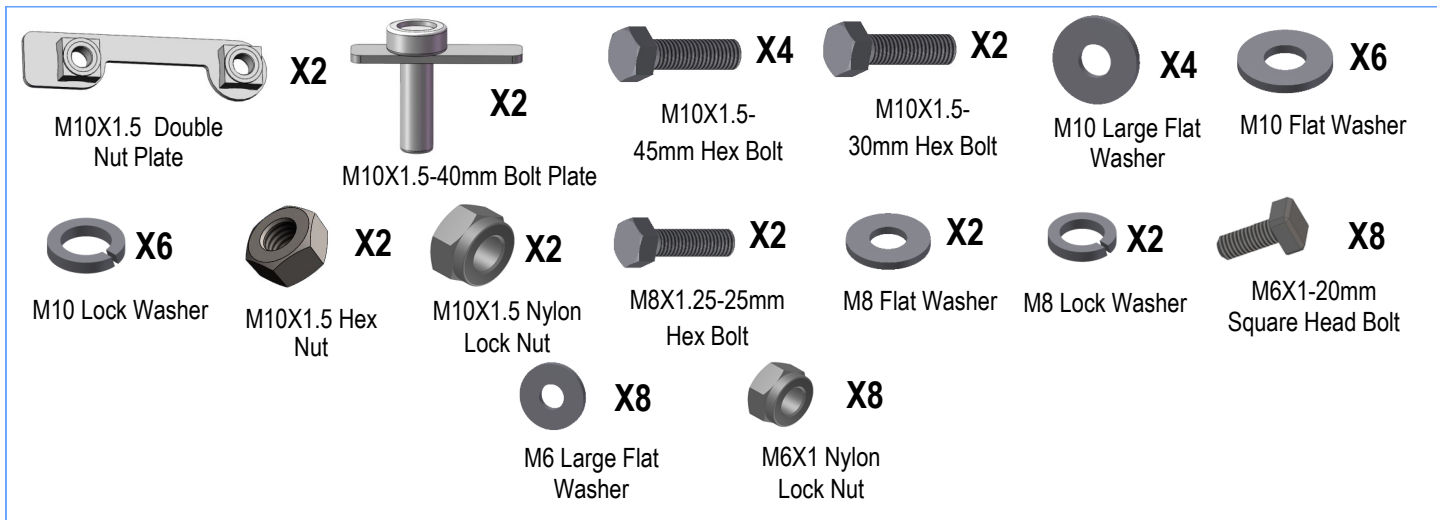
### PART LIST

Front  
↑



Customer Support: [info@iboardauto.com](mailto:info@iboardauto.com)

# iBoard®



## STEP 1

Start installation from the driver side of the vehicle. Remove the sheet metal screw in the rear of the front fender. Next, remove the (3) plastic clips from under the front of the plastic rocker trim panel, (Fig 1). Once these are removed, gently pull the plastic panel toward the outside to locate the factory hole in the body panel, (Fig 2). **NOTE:** Hold the front Mounting Bracket up in position to determine the approximate location of the correct mounting hole.

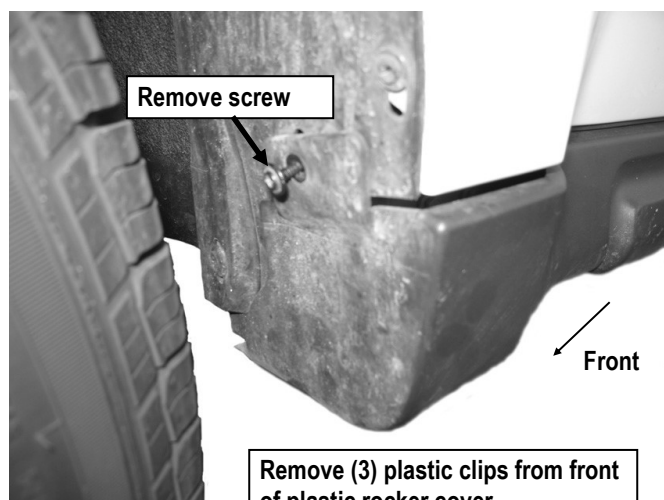


Fig 1

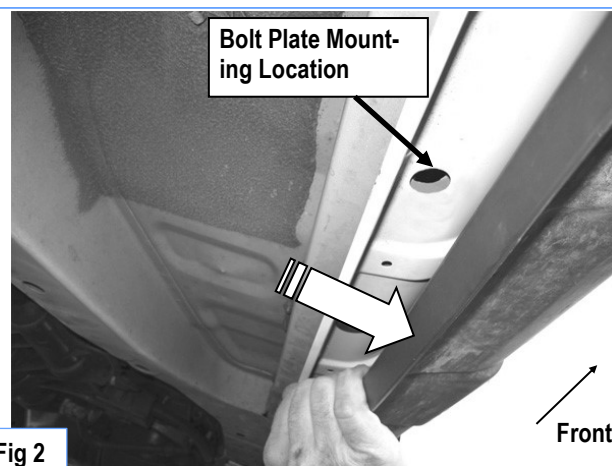


Fig 2

## STEP 2

Mark the location of the factory hole onto the plastic rocker panel. Using a 7/16" drill bit, carefully drill through the marked location on the plastic panel, (Fig 3 & 4).

**IMPORTANT:** Only drill through the plastic panel. Take precautions to avoid damage to the vehicle.

Gently pull the cover aside to insert (1) M10X1.5-40mm Bolt Plate into the factory hole in the body panel, (Fig 3). Once the Bolt Plate is in place, reposition the plastic rocker panel over the Bolt Plate and into the original position, (Fig 4). Secure with factory clips and metal screw.

# iBoard®

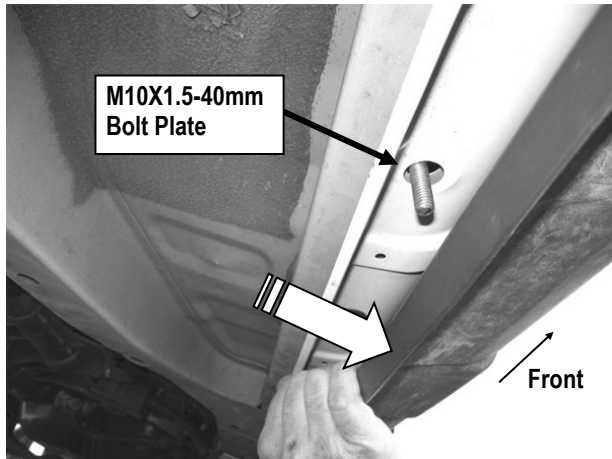


Fig 3

Reposition The Plastic Rocker Panel Over The Bolt Plate And Into The Original Position

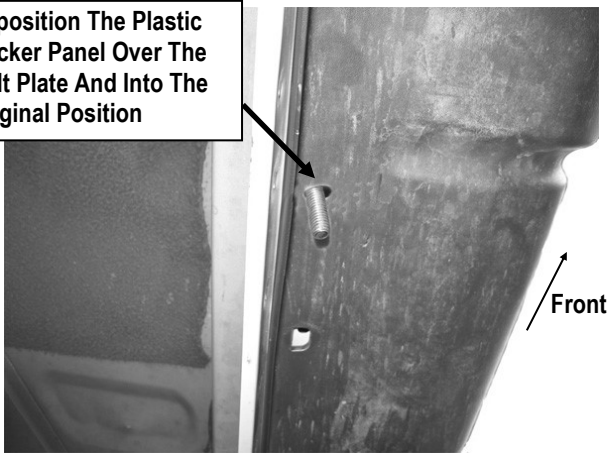
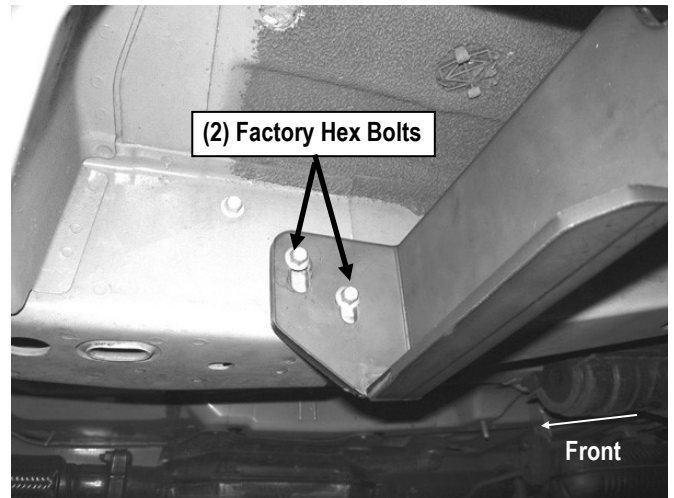


Fig 4

## STEP 3

Locate the (3) factory bolts on the side of the frame rail. Remove the (2) lower bolts only. Position the Driver Front Mounting Bracket (DFM) up to the frame rail. Line up the holes in the Mounting Bracket with (2) threaded holes. Secure the Mounting Bracket with the (2) factory bolts, (Fig 5). Do not fully tighten at this time.



(Fig 5) Driver Front Mounting Bracket (DFM) Installation

## STEP 4

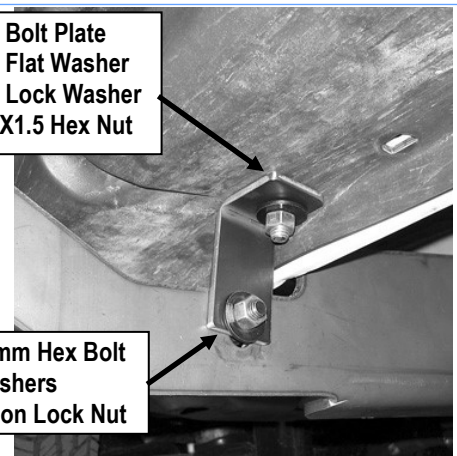
Place the Driver Front Support Bracket (DFS) onto the previously installed M10 Bolt Plate using (1) M10 Flat Washer, (1) M10 Lock Washer and (1) M10X1.5 Hex Nut.

Attach the opposite end of the Driver Front Support Bracket to the back of the Driver Front Mounting Bracket with (1) M10X1.5-40mm Hex Bolt, (2) M10 Flat Washers and (1) M10X1.5 Nylon Lock Nut, (Fig 6 & 7). Do not fully tighten hardware at this time.

**NOTE:** Shorter tab on the Support Bracket mounts to the rocker panel, longer end to the Mounting Bracket.

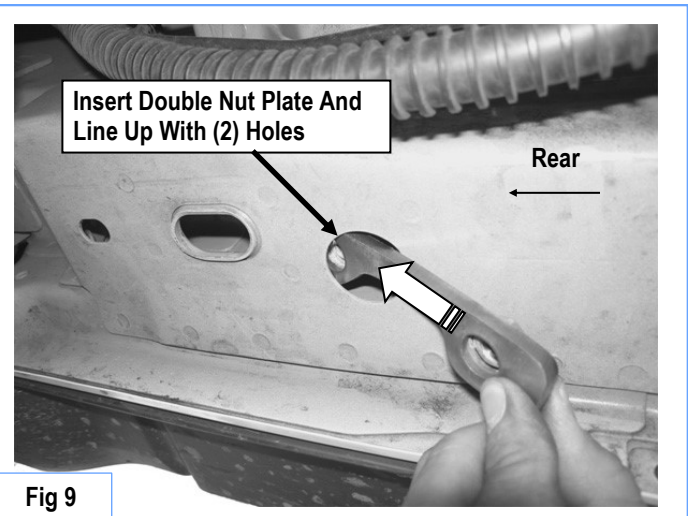
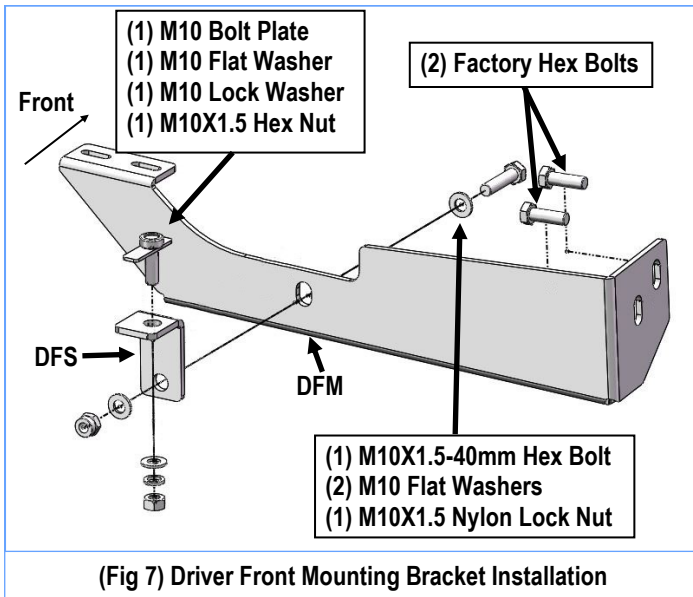
(1) M10 Bolt Plate  
(1) M10 Flat Washer  
(1) M10 Lock Washer  
(1) M10X1.5 Hex Nut

(1) M10X1.5-40mm Hex Bolt  
(2) M10 Flat Washers  
(1) M10X1.5 Nylon Lock Nut



(Fig 6) Driver Front Support Bracket (DFS) Installation

# iBoard®



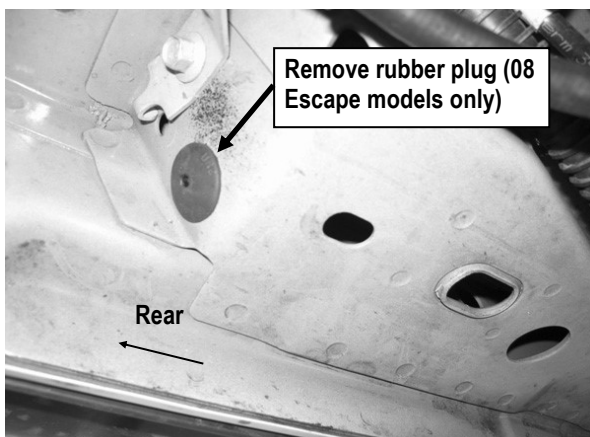
## STEP 6

## STEP 5

Moving to the driver side rear of the vehicle, locate the (3) holes in the floor panel next to the pinch weld. Remove the factory rubber plug if equipped, (08 Escape only), facing the rear of the vehicle, (Fig 8).

Insert (1) M10X1.5 Double Nut Plate through the large round hole and line up the threaded nuts on the M10X1.5 Double Nut Plate with the smaller round and oval holes, (Fig 9).

**NOTE:** Nut Plate must be flat against the inside of the body panel with the Welded Nuts on top.



(Fig 8) Driver Side Rear Mounting Location

Position the Driver Rear Mounting Bracket (DRM) up to the vehicle. Insert (1) M10X1.5-45mm Hex Bolt with (1) M10 Large Flat Washer and (1) M10 Lock Washer through the Mounting Bracket, small round hole and into the M10 Double Nut Plate. Insert (1) M10X1.5-45mm Hex Bolt, (1) M10 Large Flat Washer and (1) M10 Lock Washer through the Mounting Bracket, large oval hole and into remaining nut in the Double Nut Plate, (Fig 10). Do not fully tighten at this time.

### 2008 Escape driver side rear Mounting Bracket installation only:

Use (1) M8X1.25-25mm Hex Bolt, (1) M8 Flat Washer, and (1) M8 Lock Washer to attach the driver side Mounting Bracket to previously removed rubber plug location. You will not be using this M8 Bolt on the driver side of the Mazda Tribute or 09 Escape.

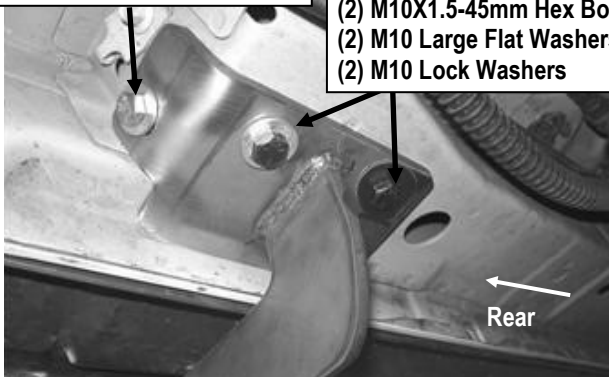
**2009-012 Escape and Tribute models only:** The Passenger Rear Mounting Bracket (PRM) installs between the factory exhaust support and the body panel. Remove the (2) M8 Hex Bolts securing the bracket, move the exhaust support slightly and install the passenger side Mounting Bracket as per Step 6, (Fig 11). Reinstall the exhaust support using the factory hex bolts with (1) now inserted through the exhaust support and the Mounting Bracket. On the remaining top location, insert (2) M8 Flat Washers between the body panel and the exhaust support to evenly space the support from the body panel.

# iBoard®

## Driver side 08 Escape Only:

- (1) M8X1.25-25mm Hex Bolt
- (1) M8 Flat Washer
- (1) M8 Lock Washer

- (1) M10 Double Nut Plate
- (2) M10X1.5-45mm Hex Bolts
- (2) M10 Large Flat Washers
- (2) M10 Lock Washers



(Fig 10) Driver Rear Mounting Bracket (DRM) Installation

Insert (2) M8 Flat Washers For Spacer Between Exhaust Support And Body Panel.



(Fig 11) Passenger Rear Mounting Bracket (09-010 models: Install Mounting Bracket Between Exhaust Support And Body Panel )

## STEP 7

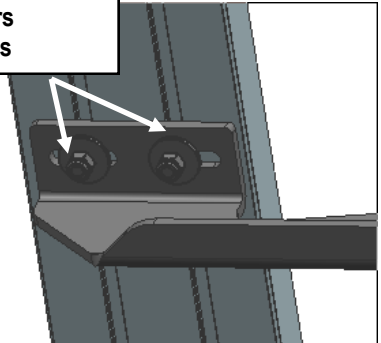
Select a Running Board. Slip (4) M6X1-20mm Square Head Bolts into each bottom channel (Fig 12). Carefully position the Running Board onto the (2) Mounting Brackets.

**IMPORTANT:** Do not slide the Running Board on the Brackets or the bottom surface of the board will be damaged. Attach the Running Board to each Mounting Bracket with (4) M6x1-20mm Square Head Bolts, (4) M6 Large Flat Washers and (4) M6 X1 Nylon Lock Nuts (Fig 13). Do not fully tighten at this time.



(Fig 12) Slip M6X1-20mm Square Head Bolts Into The Bottom Channels

- (2) M6X1-20mm Square Head Bolts
- (2) M6 Large Flat Washers
- (2) M6X1 Nylon Lock Nuts



(Fig 13) Running Board Installed Onto the Mounting Bracket

## STEP 8

Level and adjust the Running Board and fully tighten all hardware.

## STEP 9

Repeat **Steps 1-8** for other side Running Board installation. The installation is completed (Fig 14).

# iBoard®



(Fig 14) Installation Completed

### **Attention**

**Do periodic inspections to the installation to make sure that all hardware is secure and tight.**

**In order to protect your bars/boards, please use only mild soap/non-abrasive products for cleaning.**