

iBoard®



Scan for
Installation Video

iBoard® by APS

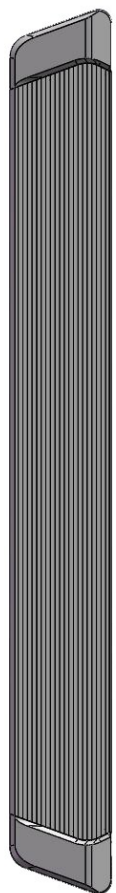
PART#: IB-R239/R313

READ INSTRUCTIONS CAREFULLY BEFORE STARTING INSTALLATION. REMOVE CONTENTS FROM BOX AND VERIFY ALL PARTS ARE PRESENT. ASSISTANCE IS RECOMMENDED.

*ROCKER PANEL MOUNT
*NO DRILLING REQUIRED

Fastener Size	Tightening Torque (ft-lbs)	Required
6mm	6-7	√
8mm	16-18	X
10mm	31-32	√
12mm	56-58	X
14mm	92-94	X

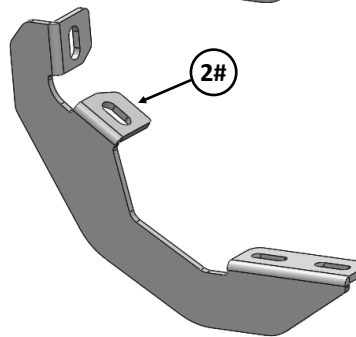
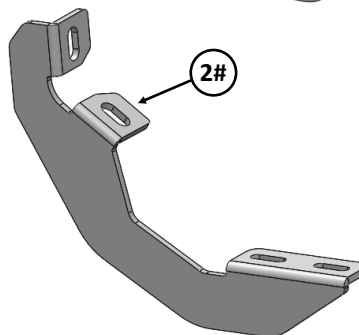
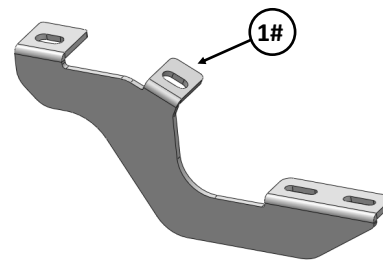
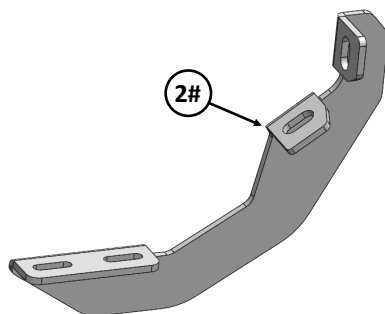
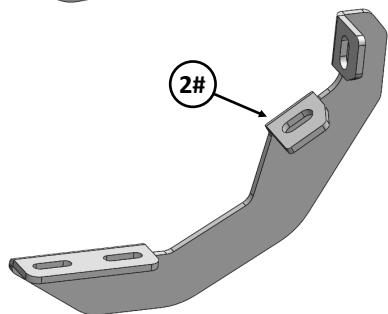
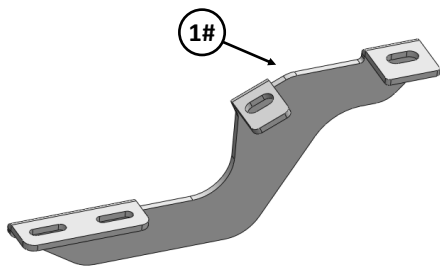
Driver



Front



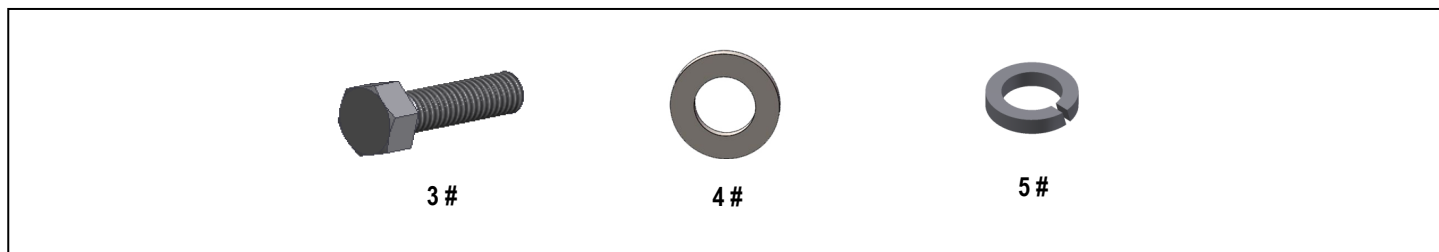
Passenger



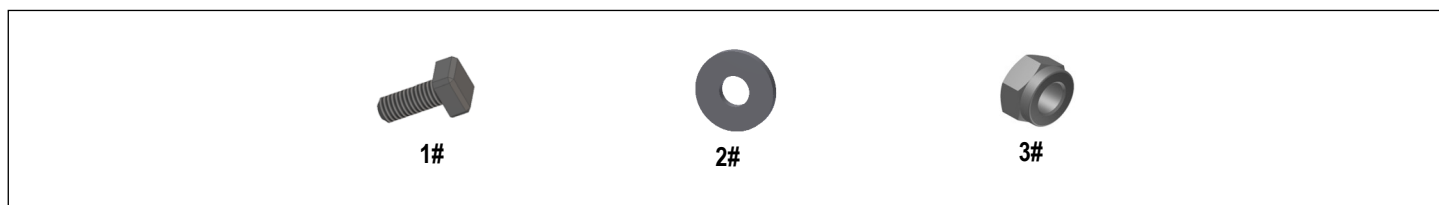


Scan for
Installation Video

Hardware Package A (For Bracket Installation)					
Item	QTY	Description	Item	QTY	Description
1#	2	Driver / Passenger Front Mounting Brackets	4#	12	M10 Large Flat Washers
2#	4	Driver / Passenger Center / Rear Mounting Brackets	5#	12	M10 Lock Washers
3#	12	M10X1.5-25mm Hex Bolts			



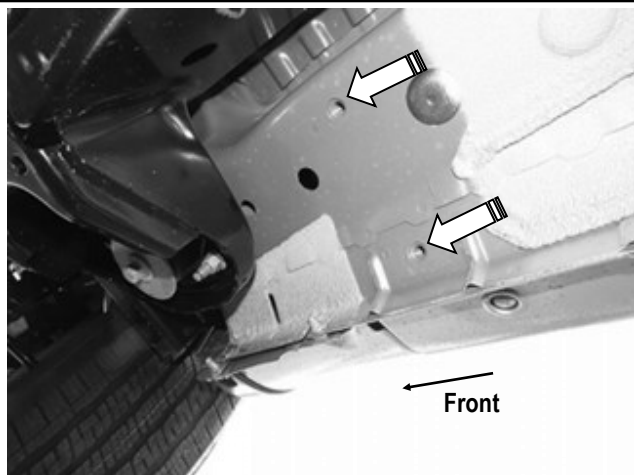
Hardware Package B (For Step Bar Installation)					
Item	QTY	Description	Item	QTY	Description
1#	12	M6X1-20mm Square Head Bolts	3#	12	M6 Nylon Lock Nuts
2#	12	M6 Large Flat Washers			





STEP 1

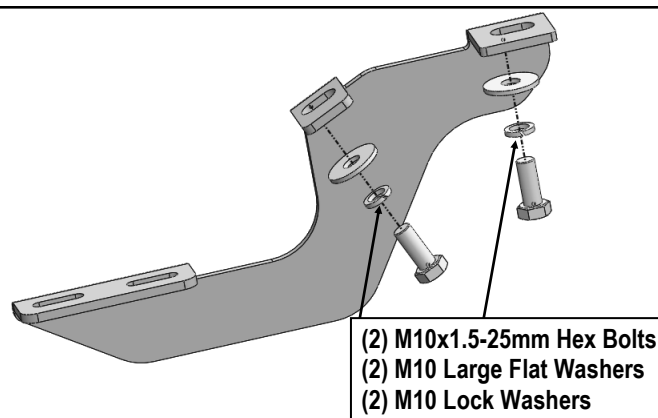
Start installation from the Passenger side front of the vehicle, locate the threaded mounting holes on the rocker panel, (**Fig 1**). Remove the plastic plugs covering the mounting holes.



(Fig 1) Passenger Side Front Mounting Location

STEP 2

Select (1) Passenger Front Mounting Bracket. Attach to Passenger side front mounting location with (2) M10X1.5-25mm Hex Bolts, (2) M10 Large Flat Washers and (2) M10 Lock Washers (**Fig 2**). Do not fully tighten hardware at this time.

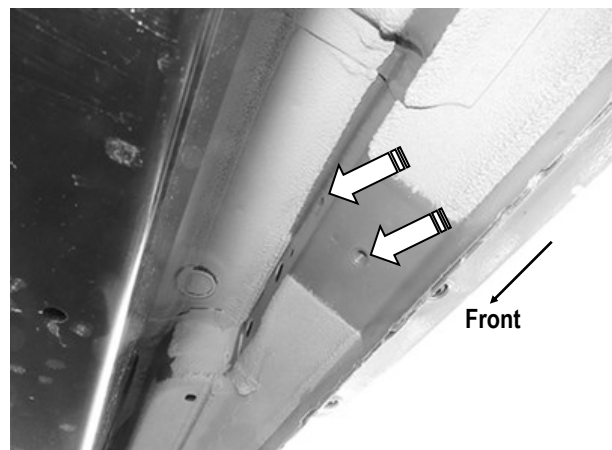


(Fig 2) Passenger Front Mounting Bracket Installation

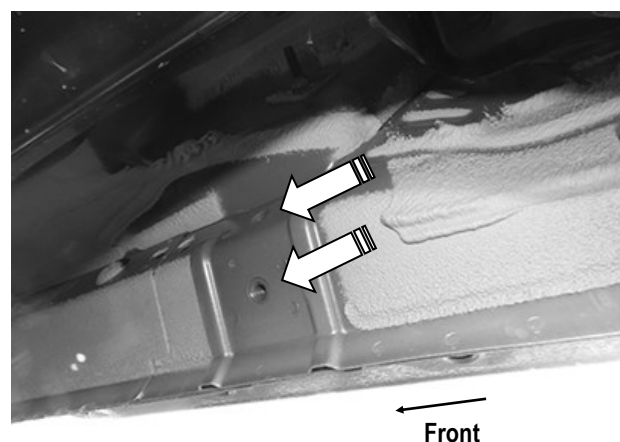
STEP 3

Move to center & rear mounting locations, (**Fig 3-4**). Repeat **Steps 1-2** to install the Passenger Center & Rear Mounting Brackets.

Note: Passenger Center & Rear Mounting Brackets are universal .



(Fig 3) Passenger Side Center Mounting Location



(Fig 4) Passenger Side Rear Mounting Location

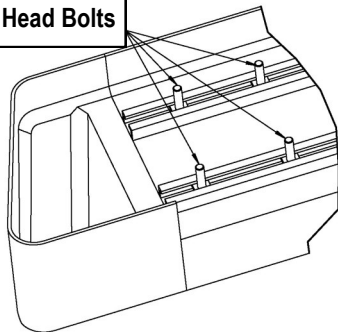


STEP 4

Once all (3) brackets have been installed. Select a Running Board. Slip (3) M6X1-20mm Square Head Bolts into each bottom channel (**Fig 5**). Carefully position the Running Board onto the (3) Mounting Brackets. Attach the Running Board to each Mounting Bracket with (2) M6X1-20mm Square Head Bolts, (2) M6 Large Flat Washers and (2) M6 Nylon Lock Nuts (**Fig 6**). Do not fully tighten at this time.

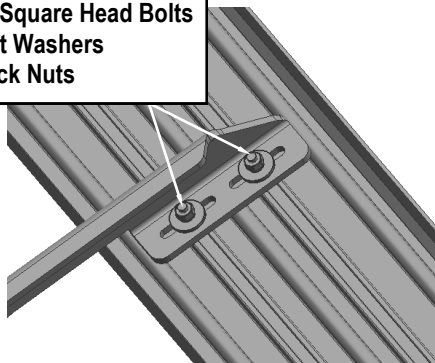
IMPORTANT: Do not slide the Running Board on the Brackets or the bottom surface of the board will be damaged.

M6X1-20mm Square Head Bolts



(Fig 5) Slip M6X1-20mm Square Head Bolts Into The Bottom Channels

(2) M6X1-20mm Square Head Bolts
(2) M6 Large Flat Washers
(2) M6 Nylon Lock Nuts



(Fig 6) Running Board Installed Onto Mounting Bracket

STEP 5

Level and adjust the Running Board and fully tighten all hardware.

Important: Please follow the recommended Tightening Torques shown in the table on page 1. Don't over tighten, or the nuts/bolts will be damaged.

STEP 6

Repeat **Steps 1-5** for the other side Running Board installation. The installation is completed.

Attention

Do periodic inspections to the installation to make sure that all hardware is secure and tight.

In order to protect your bars/boards, please use mild soap/non-abrasive products for cleaning only.