

iBoard®

iBoard® by APS

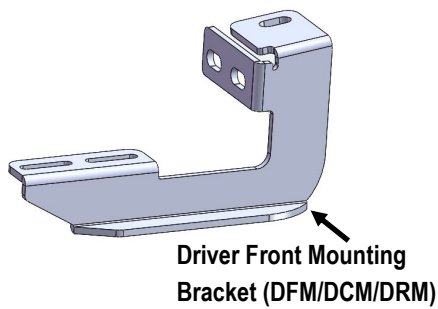
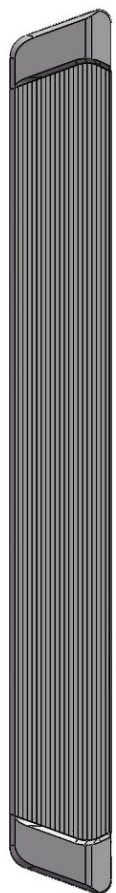
PART#: IB-R552A-B

READ INSTRUCTIONS CAREFULLY BEFORE STARTING INSTALLATION. REMOVE CONTENTS FROM BOX AND VERIFY ALL PARTS ARE PRESENT. ASSISTANCE IS RECOMMENDED.

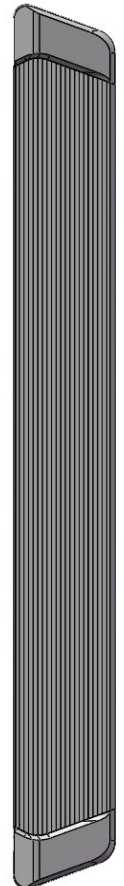
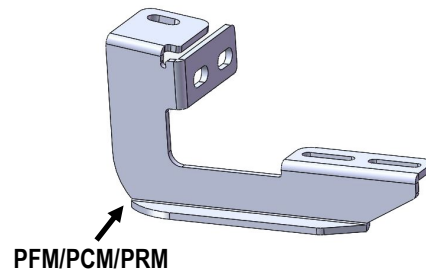
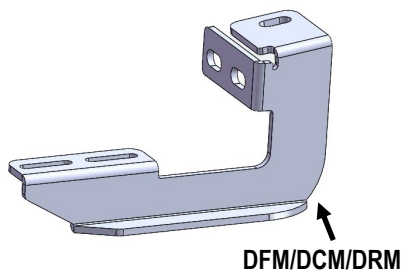
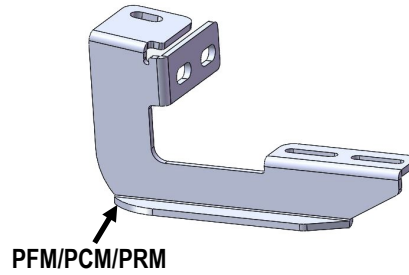
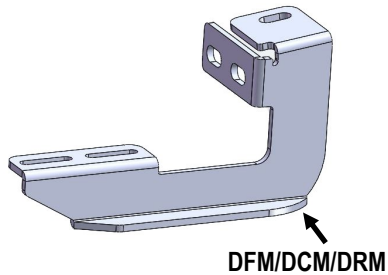
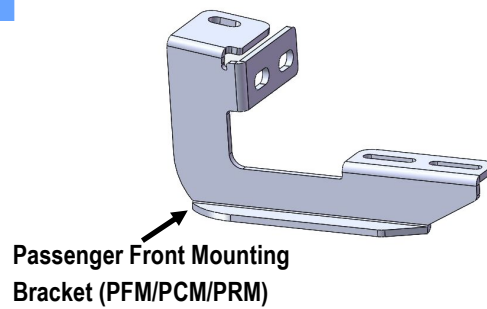
*ROCKER PANEL MOUNT
*NO DRILLING REQUIRED

Fastener Size	Tightening Torque (ft-lbs)
6mm	6-7
8mm	16-18
10mm	31-32
12mm	56-58
14mm	92-94

PART LIST

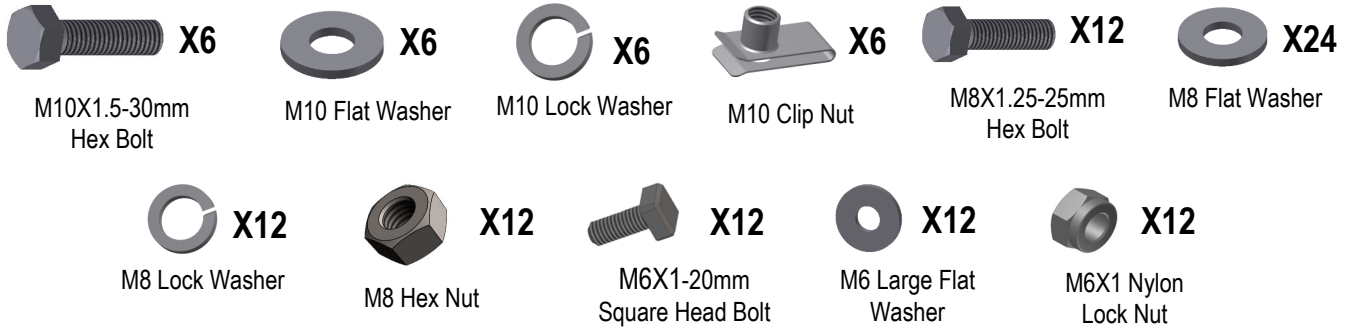


Front
↑



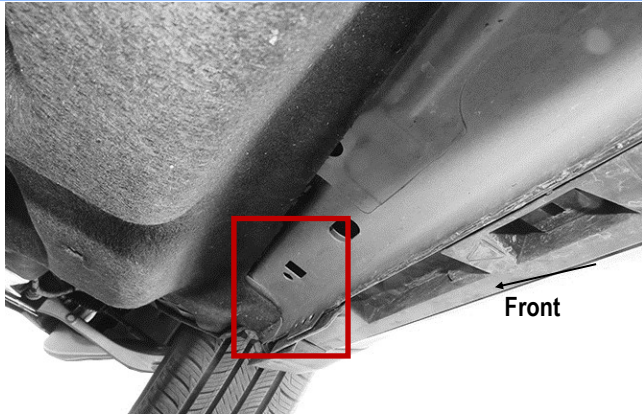
Customer Support: info@iboardauto.com

iBoard®



STEP 1

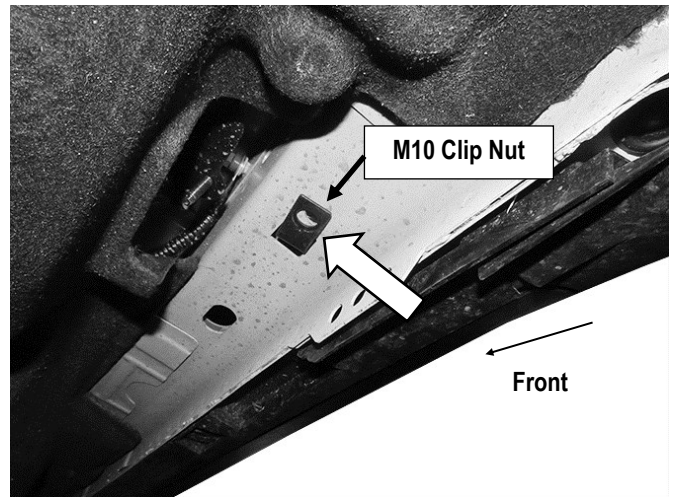
Start installation from the passenger side front of the vehicle, temporarily remove the plastic side panel. Move to the floor panel, locate the square hole and (2) round holes in the pinch weld, (Fig 1).



(Fig 1) Passenger Side Front Mounting Location

STEP 2

Insert (1) M10 Clip Nut into the square hole on the floor panel, and line up the nut with the round hole, (Fig 2). Attach (1) Passenger Front Mounting Bracket to the installed M10 Clip Nut with (1) M10X1.5-30mm Hex Bolt, (1) M10 Lock Washer and (1) M10 Flat Washer, (Figs 3-4). Do not fully tighten hardware at this time.



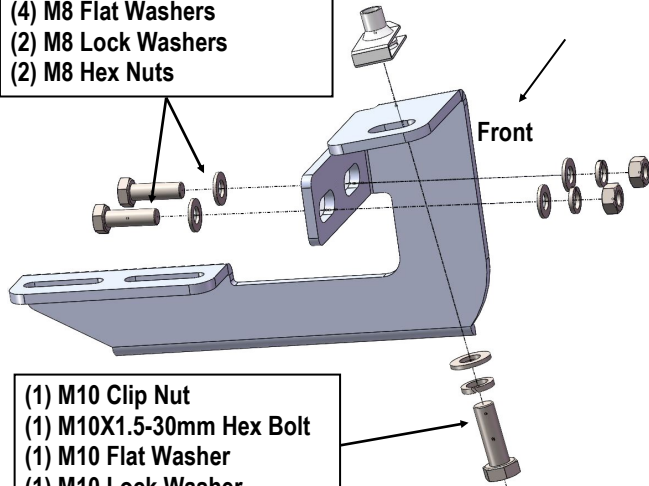
(Fig 2) Attach The M10 Clip Nut

STEP 3

Attach the Passenger Front Mounting Bracket (PFM/PCM/PRM) to the pinch weld with (2) M8X1.25-25mm Hex Bolts, (4) M8 Flat Washers, (2) M8 Lock Washers and (2) M8 Hex Bolts, (Figs 3-4). Do not fully tighten hardware at this time.

iBoard®

- (2) M8X1.25-25mm Hex Bolts
- (4) M8 Flat Washers
- (2) M8 Lock Washers
- (2) M8 Hex Nuts



- (1) M10 Clip Nut
- (1) M10X1.5-30mm Hex Bolt
- (1) M10 Flat Washer
- (1) M10 Lock Washer

(Fig 3) Passenger Front Mounting Bracket Installation

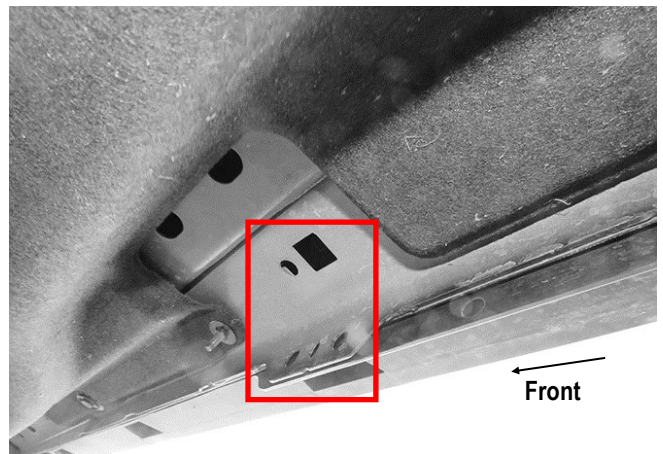


(Fig 4) Passenger Front Mounting Bracket Installation

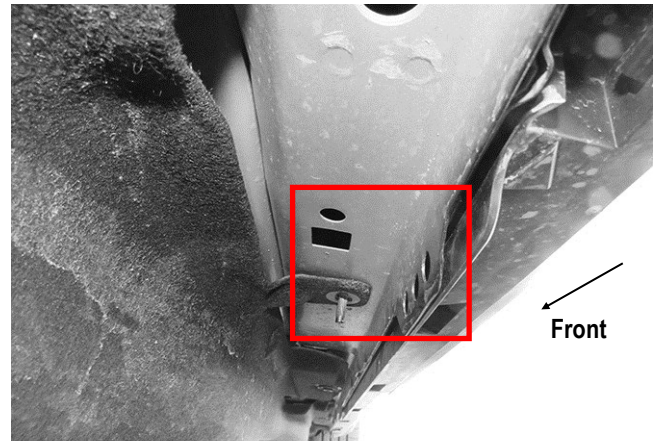
STEP 4

Move to the Passenger Side Center & Rear Mounting Locations, (Fig 5 & 6). Repeat **Steps 1-3** to attach the Passenger Center & Rear Mounting Brackets (PFM/PCM/PRM) to the vehicle. Do not fully tighten hardware at this time.

Note: (3) Passenger Front & Center & Rear Mounting Brackets are universal.



(Fig 5) Passenger Side Center Mounting Location



(Fig 6) Passenger Side Rear Mounting Location

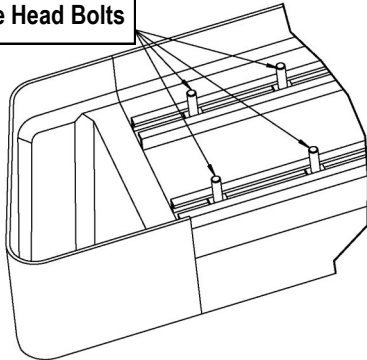
STEP 5

Select a Running Board. Slip (3) M6X1-20mm Square Head Bolts into each bottom channel (Fig 7). Carefully position the Running Board onto the (3) Mounting Brackets.

IMPORTANT: Do not slide the Running Board on the Brackets or the bottom surface of the board will be damaged. Attach the Running Board to each Mounting Brackets with (2) M6x1-20mm Square Head Bolts, (2) M6 Large Flat Washers and (2) M6 X1 Nylon Lock Nuts (Fig 8). Do not fully tighten at this time.

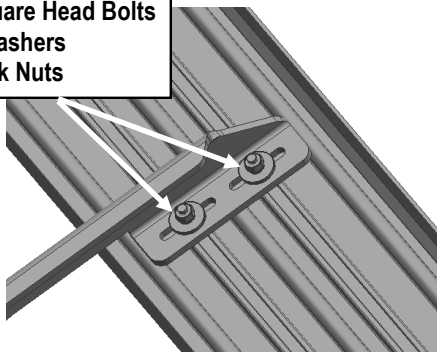
iBoard®

M6X1-20mm Square Head Bolts



(Fig 7) Slip M6X1-20mm Square Head Bolts Into The Bottom Channels

(2) M6X1-20mm Square Head Bolts
(2) M6 Large Flat Washers
(2) M6X1 Nylon Lock Nuts



(Fig 8) Running Board Installed Onto Mounting Bracket

STEP 6

Level and adjust the Running Board and fully tighten all hardware.

STEP 7

Repeat **Steps 1-6** for the other side Running Board installation. The installation is completed (**Fig 9**).



(Fig 9) Installation Completed

Attention

Do periodic inspections to the installation to make sure that all hardware is secure and tight.

In order to protect your bars/boards, please use only mild soap/non-abrasive products for cleaning.