

iBoard®

iBoard® by APS

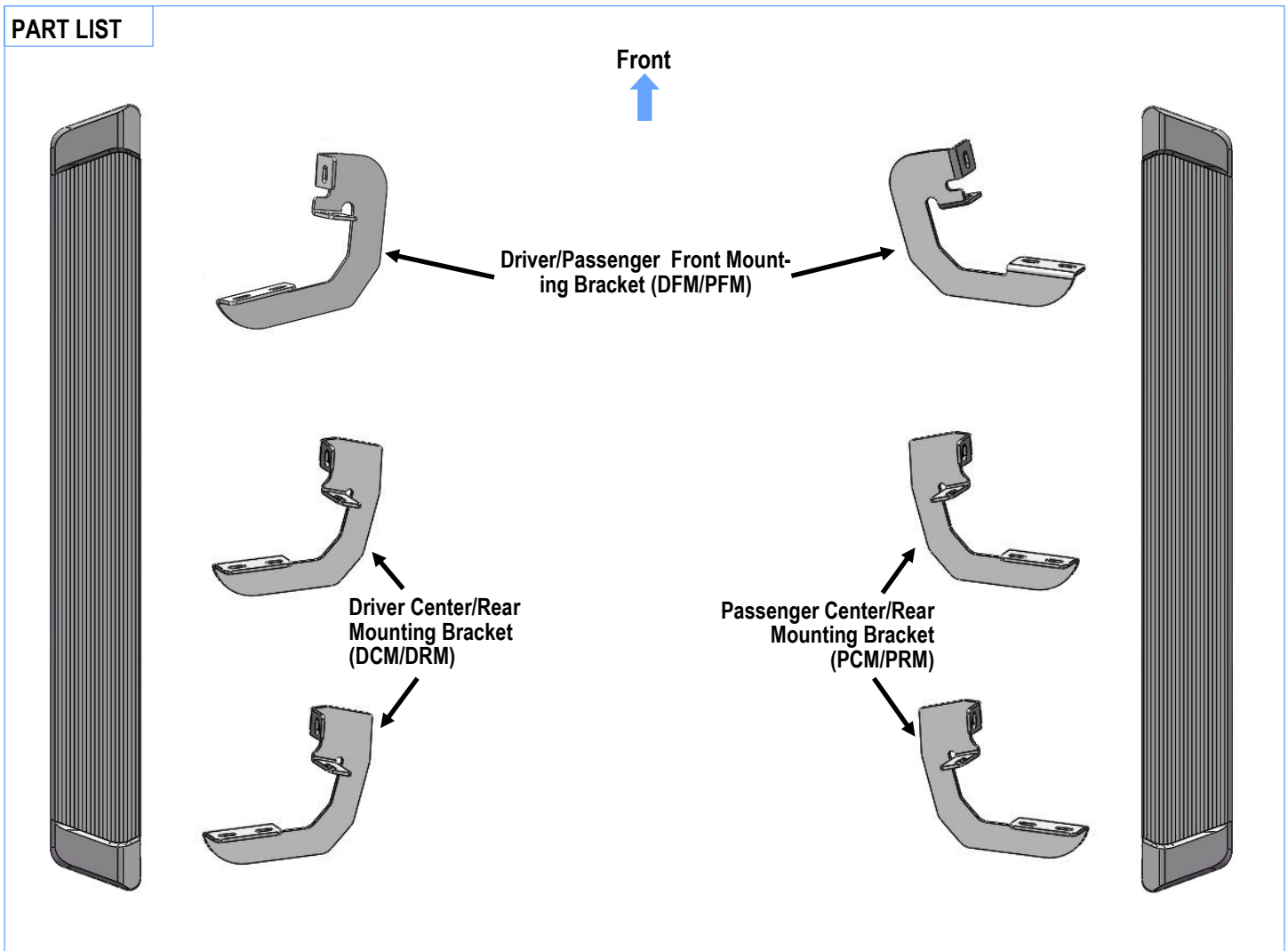
PART#: IB-R924&R925A-B

READ INSTRUCTIONS CAREFULLY BEFORE STARTING INSTALLATION. REMOVE CONTENTS FROM BOX AND VERIFY ALL PARTS ARE PRESENT. ASSISTANCE IS RECOMMENDED.

*ROCKER PANEL MOUNT
*NO DRILLING REQUIRED

Fastener Size	Tightening Torque (ft-lbs)
6mm	6-7
8mm	16-18
10mm	31-32
12mm	56-58
14mm	92-94

PART LIST



Customer Support: info@iboardauto.com

iBoard®

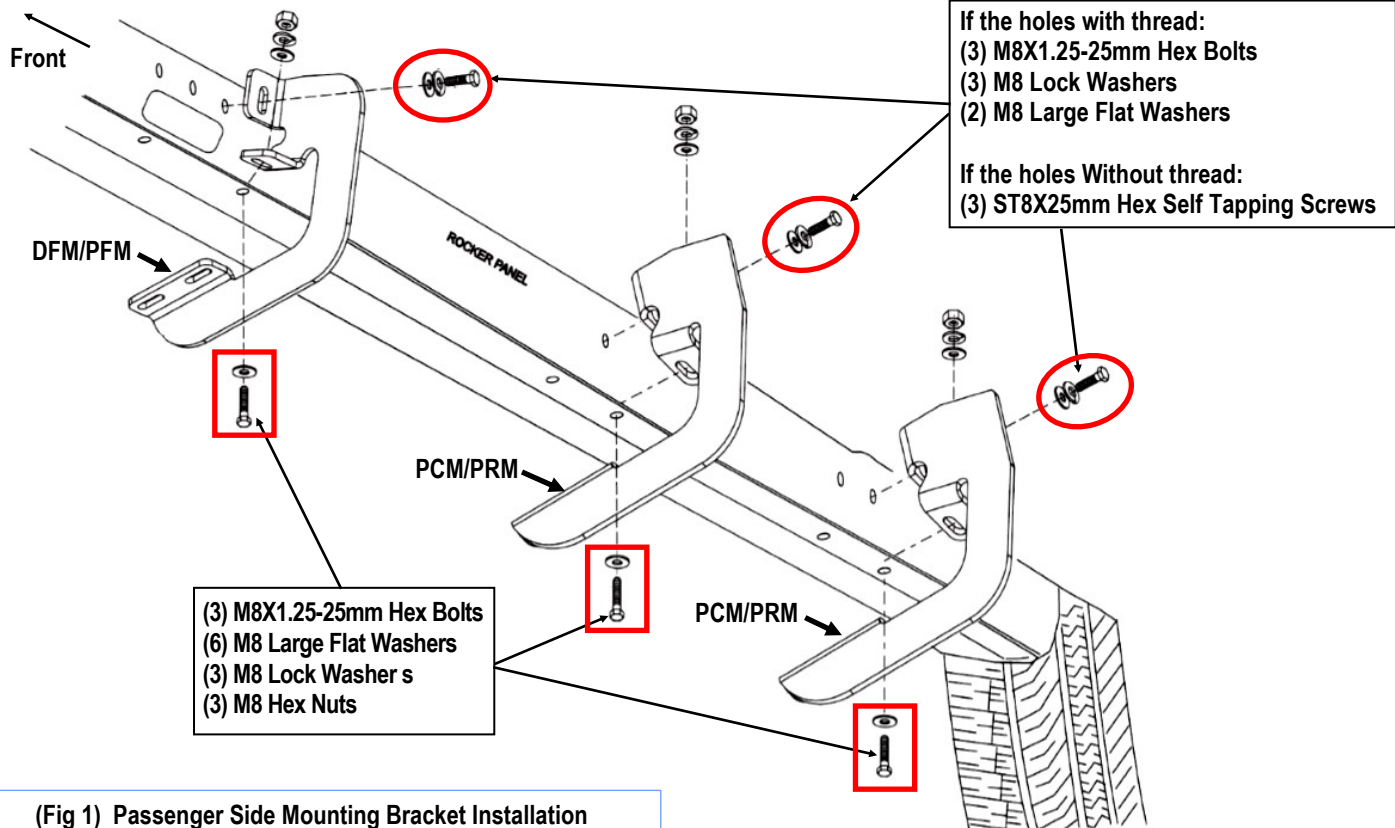


STEP 1

Start installation from the passenger side of the vehicle. Locate Passenger Side mounting locations. Remove any tape on the inside of rocker panel that covers the mounting holes. **NOTE:** (1) ST8x25mm Hex Self Tapping Screw replace (1) M8 bolt per bracket if the factory holes are not tapped for M8 bolts.

STEP 2

Attach the Passenger Side Mounting Brackets to the body panel as shown, (Fig 1). Do not fully tighten hardware at this time.



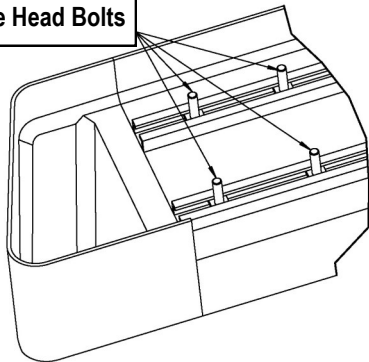
iBoard®

STEP 3

Select a Running Board. Slip (3) M6X1-20mm Square Head Bolts into each bottom channel (**Fig 2**). Carefully position the Running Board onto the (3) Mounting Brackets.

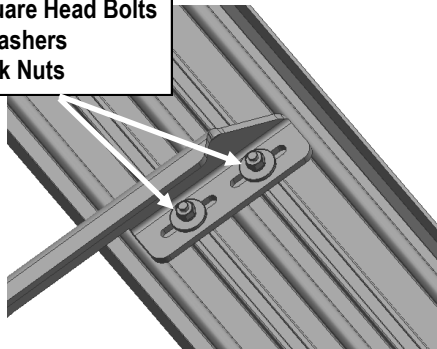
IMPORTANT: Do not slide the Running Board on the Brackets or the bottom surface of the board will be damaged. Attach the Running Board to each Mounting Brackets with (2) M6x1-20mm Square Head Bolts, (2) M6 Large Flat Washers and (2) M6 X1 Nylon Lock Nuts (**Fig 3**). Do not fully tighten at this time.

M6X1-20mm Square Head Bolts



(Fig 2) Slip M6X1-20mm Square Head Bolts Into The Bottom Channels

(2) M6X1-20mm Square Head Bolts
(2) M6 Large Flat Washers
(2) M6X1 Nylon Lock Nuts



(Fig 3) Running Board Installed Onto Mounting Bracket

STEP 4

Level and adjust the Running Board and fully tighten all hardware.

STEP 5

Repeat **Steps 1-4** for the other side Running Board installation. The installation is completed (**Fig 4**).



(Fig 4) Installation Completed

Attention

Do periodic inspections to the installation to make sure that all hardware is secure and tight.

In order to protect your bars/boards, please use only mild soap/non-abrasive products for cleaning.