

iBoard®

iBoard® by APS

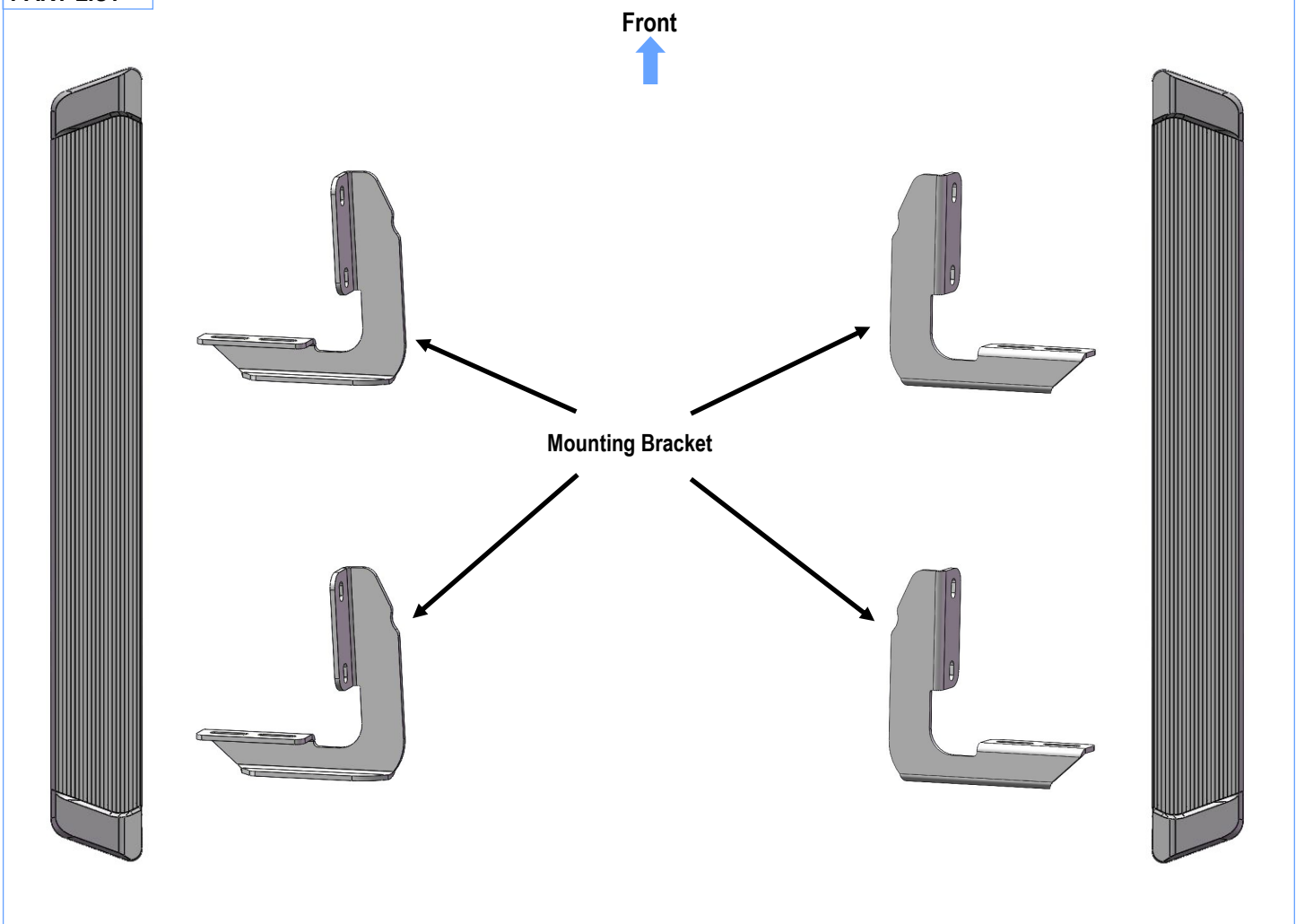
PART#: IB-R010A-B

READ INSTRUCTIONS CAREFULLY BEFORE STARTING INSTALLATION. REMOVE CONTENTS FROM BOX AND VERIFY ALL PARTS ARE PRESENT. ASSISTANCE IS RECOMMENDED.

*ROCKER PANEL MOUNT
*NO DRILLING REQUIRED

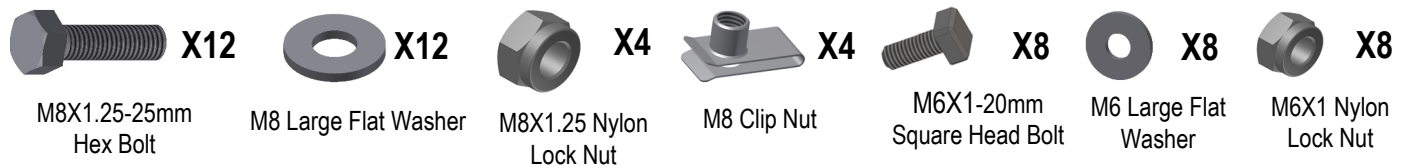
Fastener Size	Tightening Torque (ft-lbs)
6mm	6-7
8mm	16-18
10mm	31-32
12mm	56-58
14mm	92-94

PART LIST



Customer Support: info@iboardauto.com

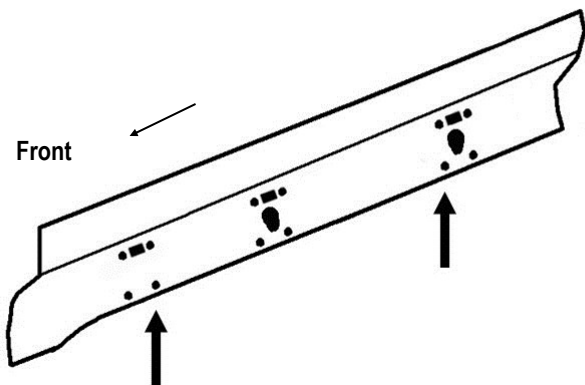
iBoard®



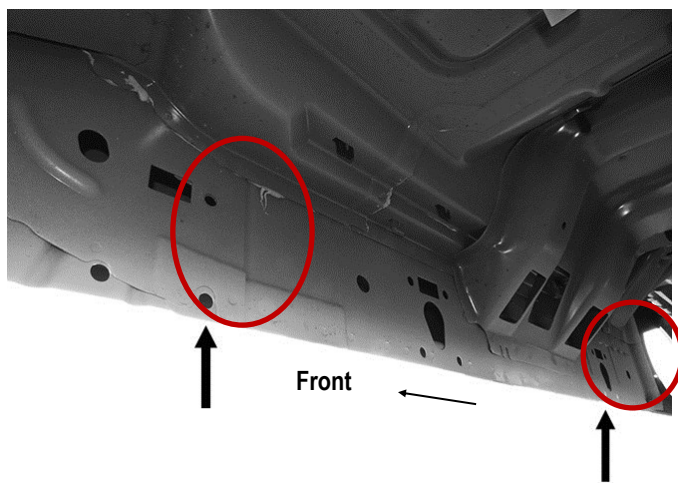
STEP 1

Starting from the passenger front side of the vehicle, locate the passenger side mounting locations, (Fig 1 & 2).

NOTE: The mounting holes may be covered by sealing tapes or insulation, remove as required.



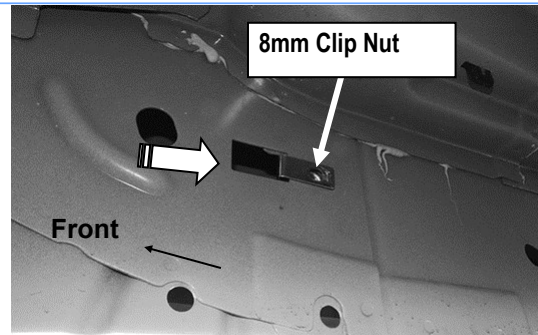
(Fig 1) Passenger Side Front Mounting Location



(Fig 2) Passenger Side Front Mounting Location

STEP 2

Insert (1) M8 Clip Nut into the rectangular opening with the nut towards the inside. Line up the threaded nut on the clip with the round hole toward the rear, (Fig 3).



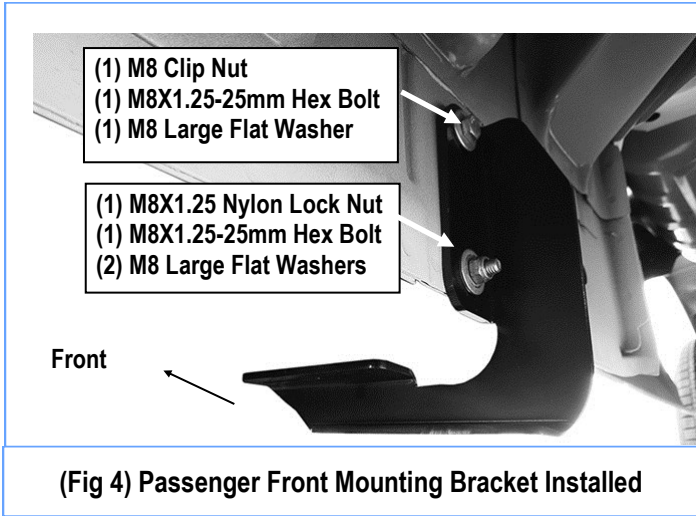
(Fig 3) M8 Clip Nut Installed
(on Passenger Front Mounting Location)

STEP 3

Attach the Passenger Front Mounting Bracket onto the installed M8 Clip Nut with (1) M8 Clip Nut, (1) M8X1.25-25mm Hex Bolt, and (1) M8 Large Flat Washer, (Fig 4).

Next, secure the lower mounting hole on the bracket to the pinch weld with (1) M8X1.25-25mm Hex Bolt, (2) M8 Large Flat Washers and (1) M8X1.25 Nylon Lock Nut, (Fig 4).

iBoard®



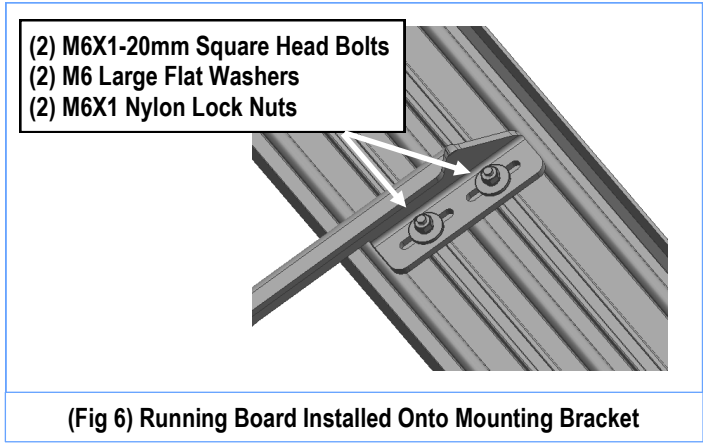
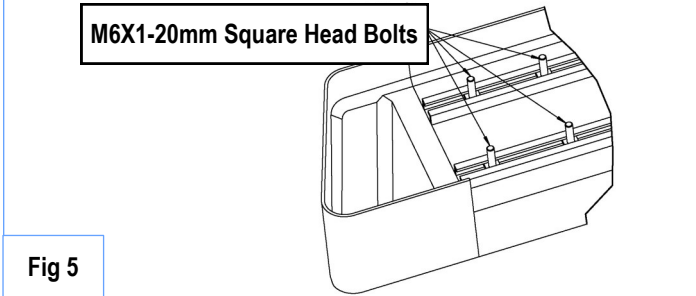
STEP 4

Move to the Passenger Side Rear Mounting Location. Repeat **Steps 2-3** to attach the Mounting Bracket to the vehicle. Do not fully tighten hardware at this time.

STEP 5

Select a Running Board. Slip (2) M6X1-20mm Square Head Bolts into each bottom channel (**Fig 5**). Carefully position the Running Board onto the (2) Mounting Brackets.

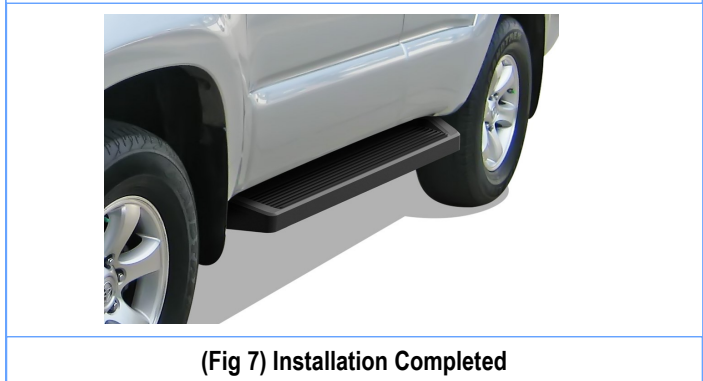
IMPORTANT: Do not slide the Running Board on the Brackets or the bottom surface of the board will be damaged. Attach the Running Board to each Mounting Brackets with (2) M6x1-20mm Square Head Bolts, (2) M6 Large Flat Washers and (2) M6 X1 Nylon Lock Nuts (**Fig 6**). Do not fully tighten at this time.



STEP 6

Level and adjust the Running Board and fully tighten all hardware.

Repeat **Steps 1-5** for the other side Running Board installation. The installation is completed (**Fig 7**).



Attention

Do periodic inspections to the installation to make sure that all hardware is secure and tight.

In order to protect your bars/boards, please use only mild soap/non-abrasive products for cleaning.

This text block is enclosed in a rounded rectangular border. It contains an 'Attention' section with two lines of bolded text providing maintenance instructions.