

iBoard®

iBoard® by APS

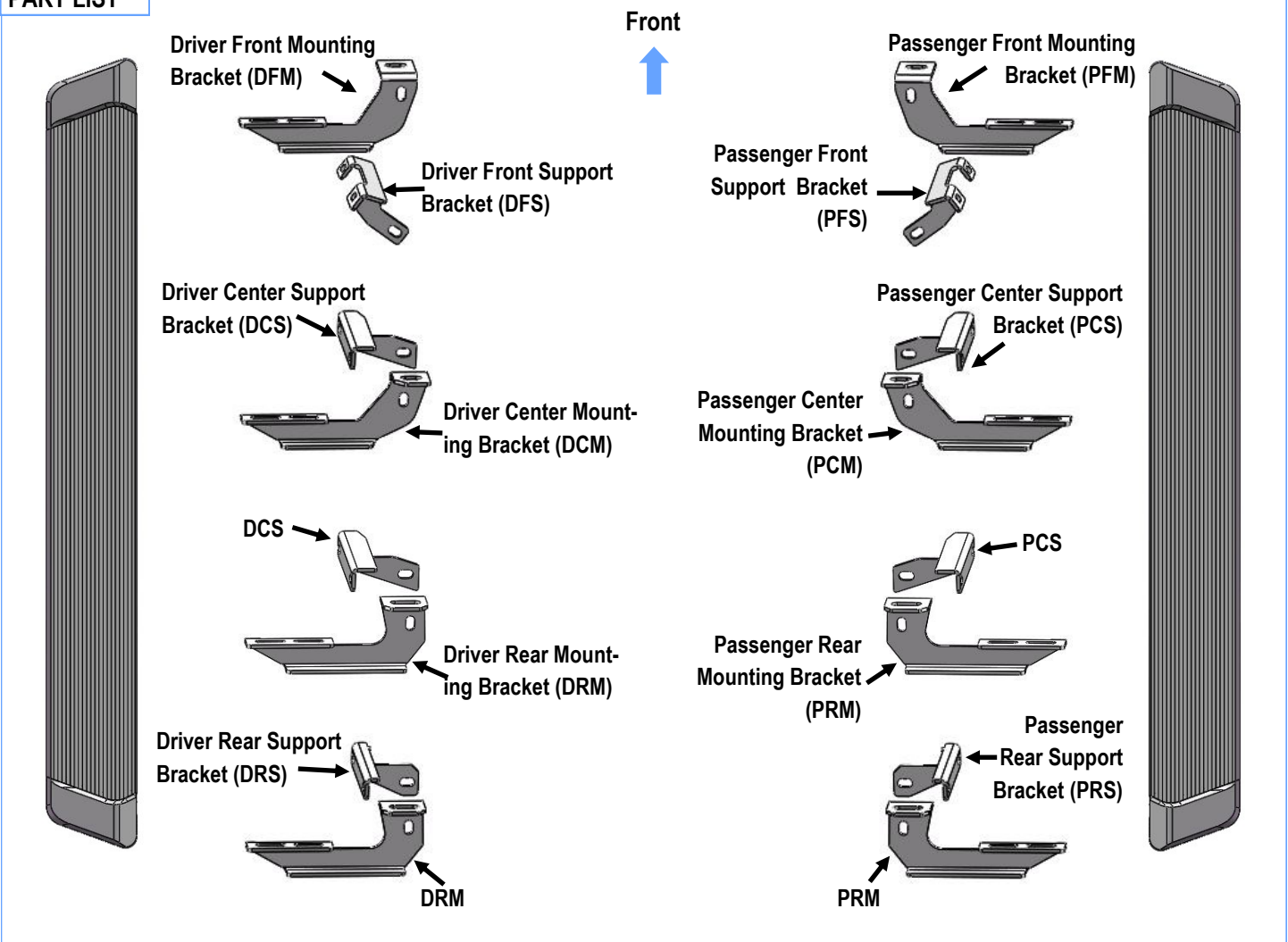
PART#: IB-R115A_B

READ INSTRUCTIONS CAREFULLY BEFORE STARTING INSTALLATION. REMOVE CONTENTS FROM BOX AND VERIFY ALL PARTS ARE PRESENT. ASSISTANCE IS RECOMMENDED.

***ROCKER PANEL MOUNT
*NO DRILLING REQUIRED**

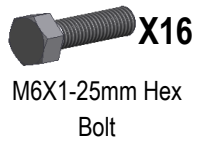
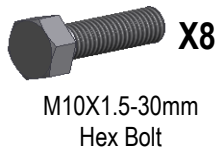
Fastener Size	Tightening Torque (ft-lbs)
6mm	6-7
8mm	16-18
10mm	31-32
12mm	56-58
14mm	92-94

PART LIST



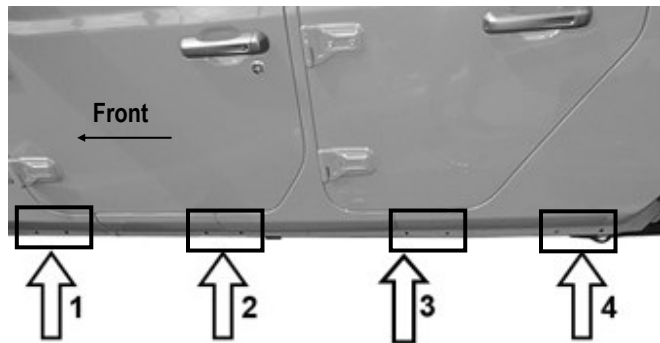
Customer Support: info@iboardauto.com

iBoard®

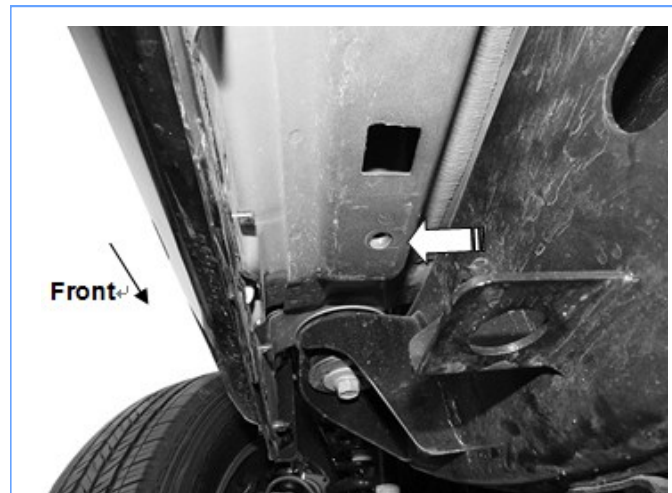


STEP 1

Start the installation under the driver side of the vehicle. Locate (4) mounting points on the vehicle, (Fig 1). Find the threaded insert located in between the first pair of holes along the pinch weld, (Fig 2).

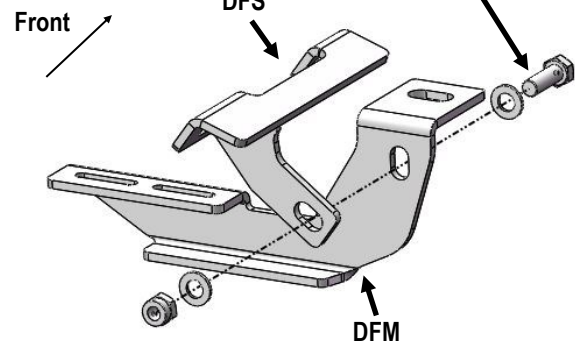


(Fig 1) Driver Side (4) Mounting Locations On The Vehicle



(Fig 2) Driver Side Front Mounting Location

- (1) M10X1.5-30mm Hex Bolt
- (2) M10 Flat Washers
- (1) M10 Nylon Lock Nut



(Fig 3) Driver Front Bracket Assembly

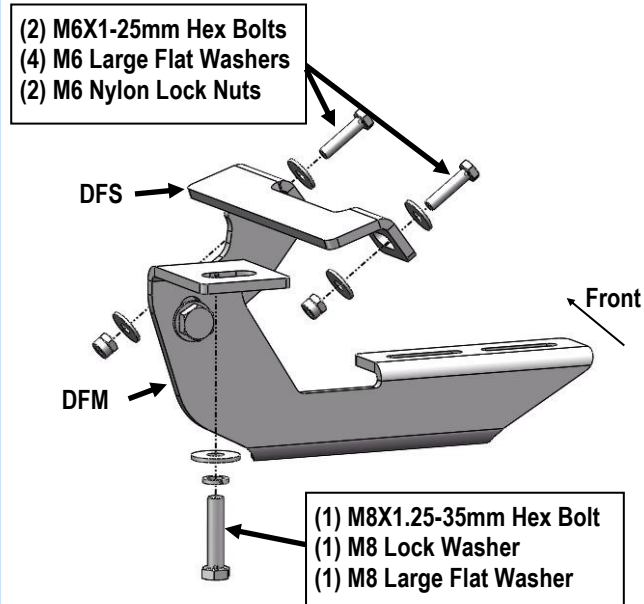
STEP 2

Start from the driver side front of the vehicle, (Fig 2). Assemble the Driver Front Mounting Bracket (DFM) and Driver Front Support Bracket (DFS) with: (1) M10X1.5-30mm Hex Bolt, (2) M10 Flat Washers, (1) M10 Nylon Lock Nut, (Fig 3). Do not fully tighten hardware at this time.

iBoard®

STEP 3

Attach the assembled Driver Side Front Brackets to the vehicle with: (1) M8X1.25-35mm Hex Bolt, (1) M8 Lock Washer, (1) M8 Large Flat Washer, (2) M6X1-25mm Hex Bolts, (4) M6 Large Flat Washers and (2) M6 Nylon Lock Nuts, (Fig 4). Don't fully tighten the hardware at this time.



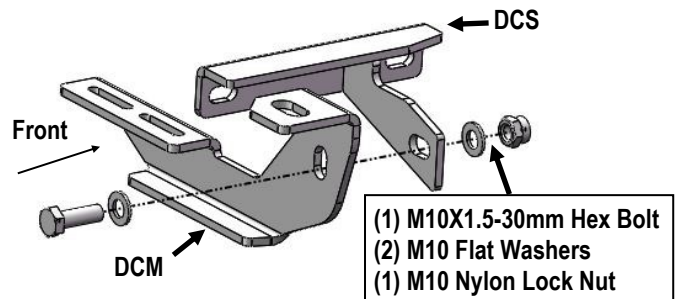
(Fig 4) Driver Side Front Brackets Installation

STEP 4

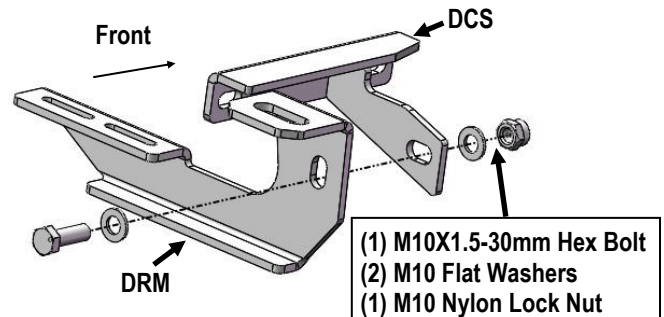
Move to driver side 2nd & 3rd & 4th Mounting Locations, (Fig 1). Repeat Steps 1-3 to assemble and install 2nd & 3rd & 4th brackets, (Figs 6-8). Don't fully tighten the hardware at this time.



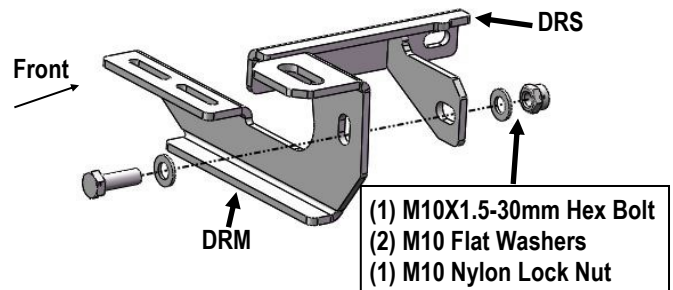
(Fig 5) Driver Side (3) Support Brackets Are Different



(Fig 6) Driver Side 2nd Bracket Assembly



(Fig 7) Driver Side 3rd Brackets Assembly



(Fig 8) Driver Side 4th Brackets Assembly

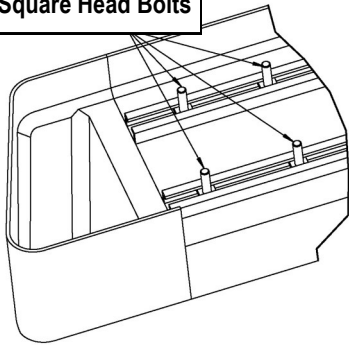
iBoard®

STEP 5

Select a Running Board. Slip (4) M6x1-20mm Square Head Bolts into each bottom channel (**Fig 9**). Carefully position the Running Board onto the (4) Mounting Brackets.

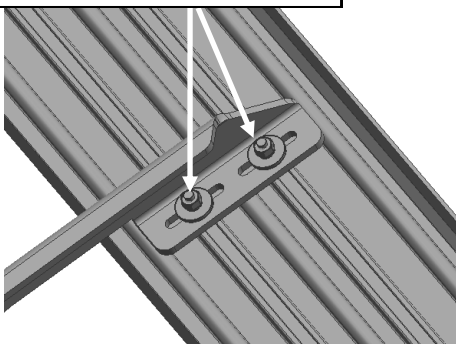
IMPORTANT: Do not slide the Running Board on the Brackets or the bottom surface of the board will be damaged. Attach the Running Board to each Mounting Bracket with (2) M6x1-20mm Square Head Bolts, (2) M6 Large Flat Washers and (2) M6 Nylon Lock Nuts (**Fig 10**). Do not fully tighten at this time.

M6X1-20mm Square Head Bolts



(Fig 9) Slip M6X1-20mm Square Head Bolts Into The Bottom Channels

- (2) M6X1-20mm Square Head Bolts
- (2) M6 Large Flat Washers
- (2) M6 Nylon Lock Nuts



(Fig 10) Running Board Installed Onto Mounting Bracket

STEP 6

Level and adjust the Running Board and fully tighten all hardware.

Important: Please follow the recommended Tightening Torques shown in the table on page 1. Don't over tighten, or the nuts/bolts will be damaged.

STEP 7

Repeat **Steps 1-6** for the other side Running Board installation. The installation is completed (**Fig 11**).



(Fig 11) Installation Completed

Attention

Do periodic inspections to the installation to make sure that all hardware is secure and tight.

In order to protect your bars/boards, please use only mild soap/non-abrasive products for cleaning.