

iBoard®

iBoard® by APS

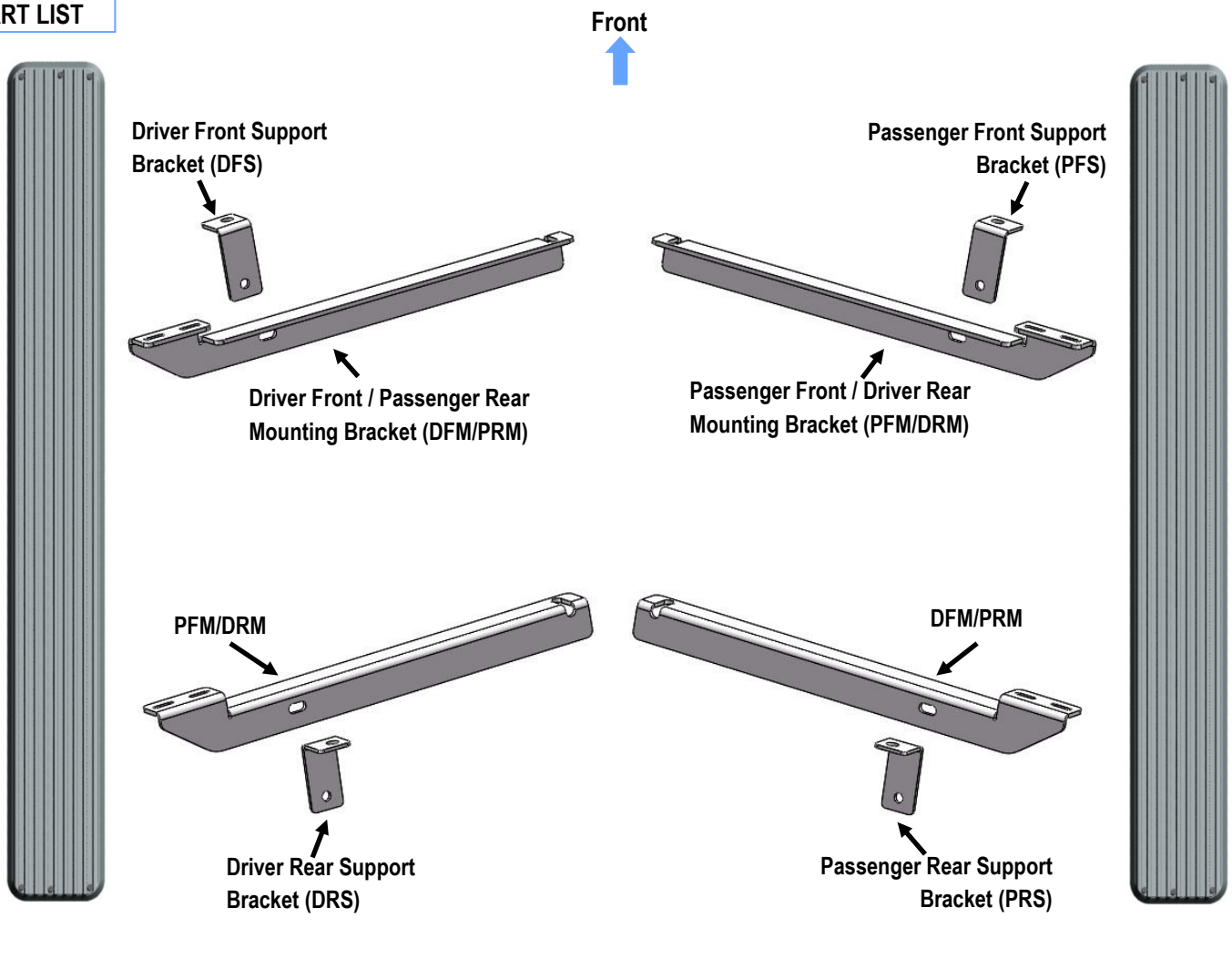
PART#: IB-083A-B

READ INSTRUCTIONS CAREFULLY BEFORE STARTING INSTALLATION. REMOVE CONTENTS FROM BOX AND VERIFY ALL PARTS ARE PRESENT. ASSISTANCE IS RECOMMENDED.

*BODY FRAME MOUNT
*NO DRILLING REQUIRED

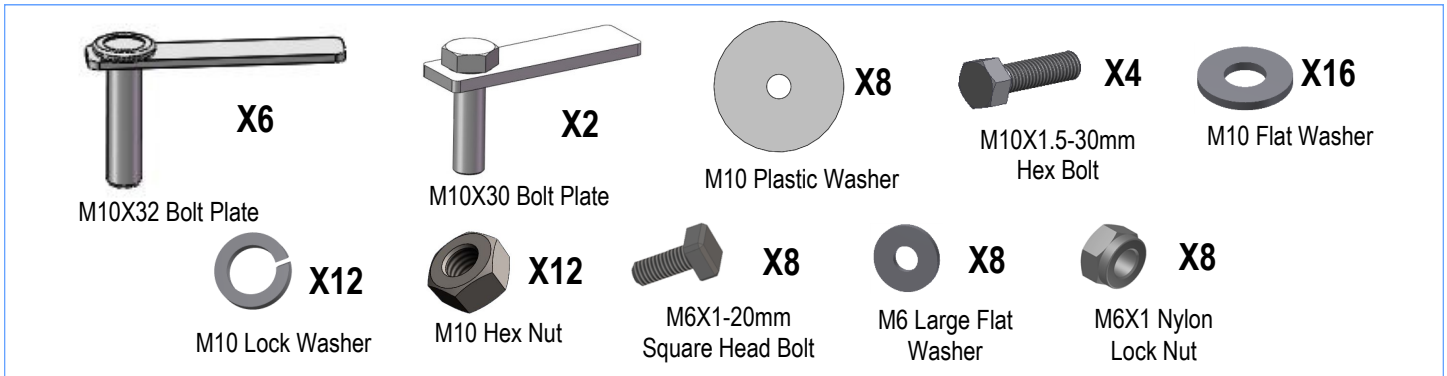
Fastener Size	Tightening Torque (ft-lbs)
6mm	6-7
8mm	16-18
10mm	31-32
12mm	56-58
14mm	92-94

PART LIST



Customer Support: info@iboardauto.com

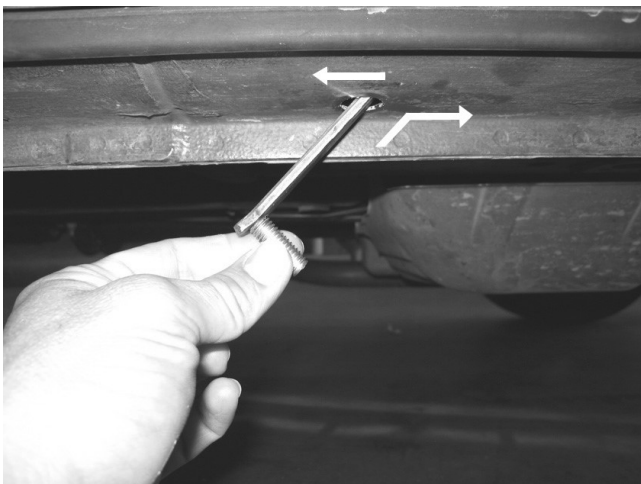
iBoard®



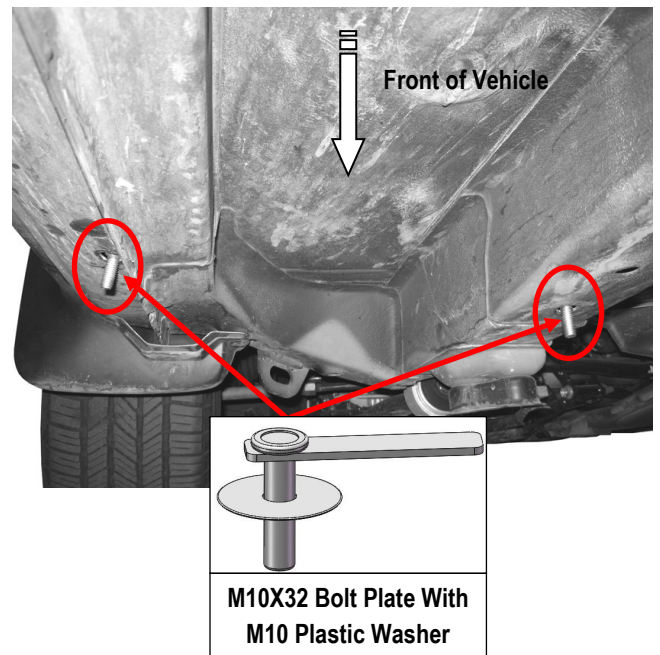
STEP 1

Start installation from the driver side front of the vehicle. Locate the (2) factory holes in the driver side frame rail towards the lower sub frame and insert (1) M10X32 Bolt Plate with (1) M10 Plastic Washer through front factory hole. **NOTE:** Insert Bolt Plate from front to back, and once it's inside the frame push all the way towards the front of the vehicle to fully engage, (Figs 1 & 2).

On the outer side of pinch weld, there are several rubber plugs in the floor panel. Remove the rubber plug that lines up with the previously inserted Bolt Plate, then insert (1) M10X32 Bolt Plate with (1) M10 Plastic Washer, (Fig 2).



(Fig 1) Driver Side Front Mounting Location Pictured



(Fig 2) Insert The M10X32 Bolt Plate

STEP 2

Assemble the Driver Front Support Bracket (DFS) to the Driver Front Mounting Bracket (DFM/PRM) as shown, (Fig 3).

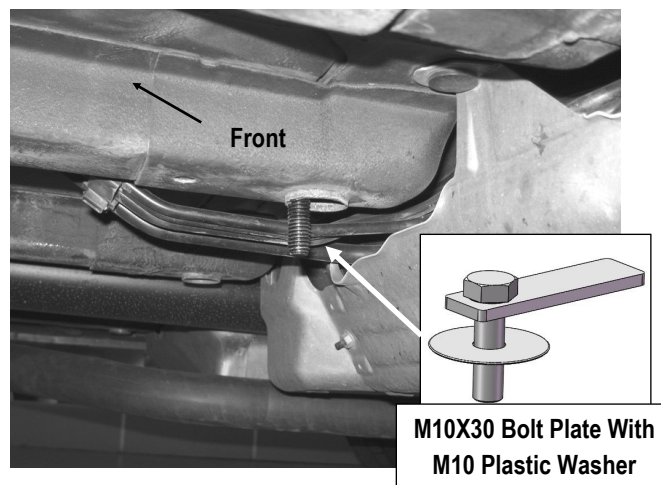
Attach the assembled driver side front Bracket to already inserted M10X32 Bolt Plate using the included (2) M10 Flat Washers, (2) M10 Lock Washers and (2) M10 Hex Nuts, (Fig 4 & 5). Do not fully tighten the hardware at this time.

iBoard®

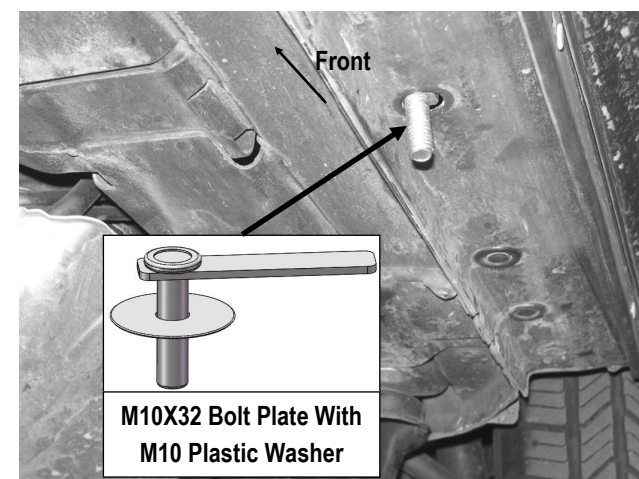
STEP 3

Move to the driver side rear of the vehicle. Locate the slotted hole in the rear end of frame rail and insert (1) M10X30 Bolt Plate with (1) M10 Plastic Washer. **NOTE:** Insert Bolt Plate from front to back, and once it's inside the frame push all the way towards the front of the vehicle to fully engage, (Fig 6).

Remove the rubber plug that lines up with the previously inserted Bolt Plate, then insert (1) M10X32 Bolt Plate with (1) M10 Plastic Washer, (Fig 7).

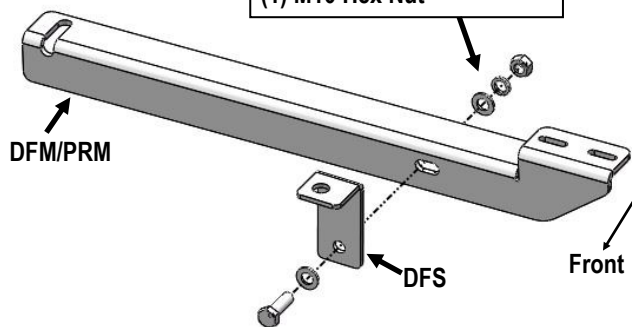


(Fig 6) Driver Side Rear Mounting Location Pictured

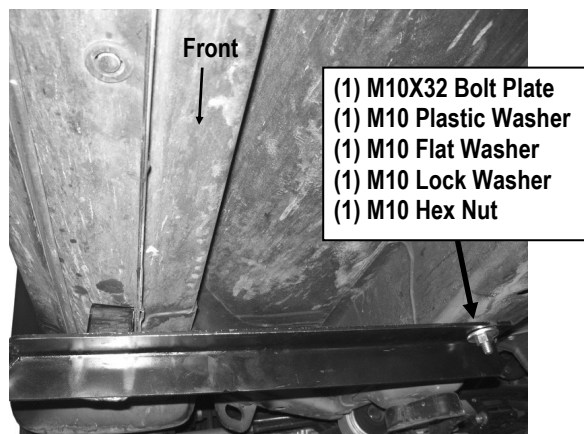


(Fig 7) Insert The M10X32 Bolt Plate

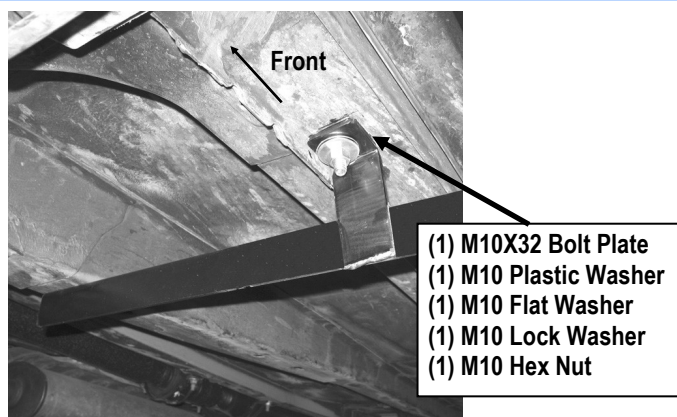
- (1) M10X1.5-30mm Hex Bolt
- (2) M10 Flat Washers
- (1) M10 Lock Washer
- (1) M10 Hex Nut



(Fig 3) Driver Side Front Brackets Assembly



(Fig 4) Driver Side Front Mounting Bracket Installation (Rear View Shown)

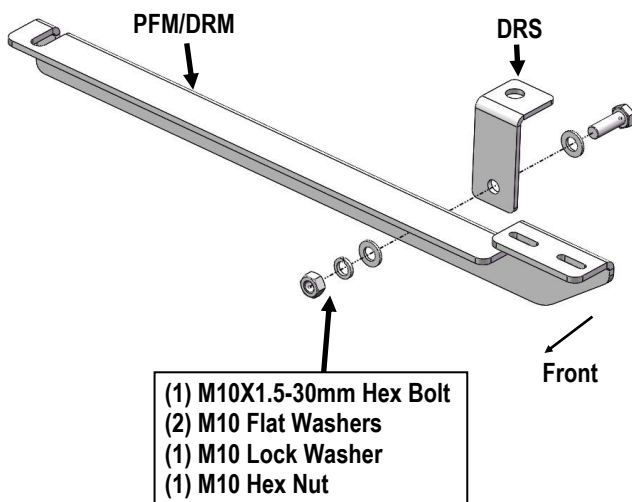


(Fig 5) Driver Side Front Support Bracket Installation (Front View Shown)

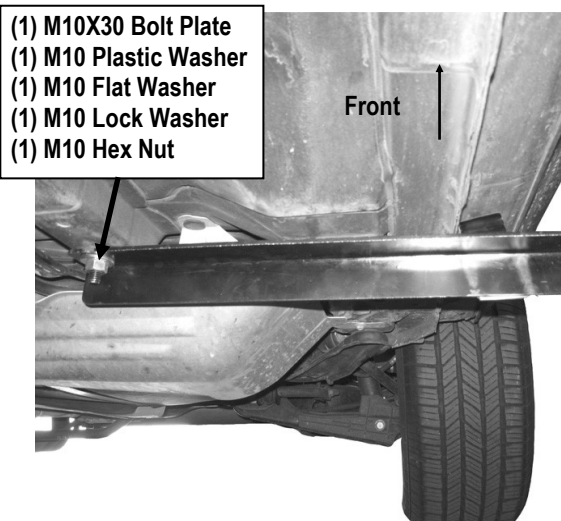
iBoard®

STEP 4

Repeat **Step 2** for the Driver Rear Support Bracket (**DRS**) and the Driver Rear Mounting Bracket (**PFM/DRM**) assembly and installation, (**Figs 8-10**). Do not fully tighten the hardware at this time.

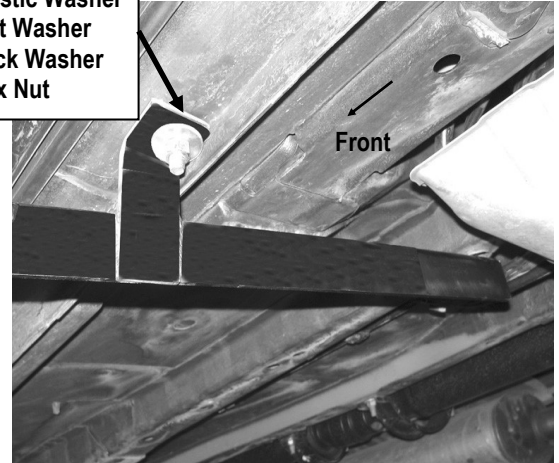


(Fig 8) Driver Side Rear Brackets Assembly



(Fig 9) Driver Side Rear Mounting Bracket Installation

- (1) M10X30 Bolt Plate
- (1) M10 Plastic Washer
- (1) M10 Flat Washer
- (1) M10 Lock Washer
- (1) M10 Hex Nut



(Fig 10) Driver Rear Support Bracket Installation

STEP 5

Select a Running Board. Slip (2) M6X1-20mm Square Head Bolts into each bottom channel (**Fig 11**). Carefully position the Running Board onto the (2) Mounting Brackets.

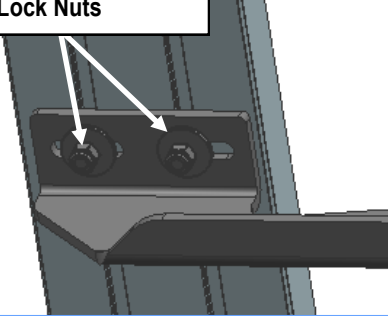
IMPORTANT: Do not slide the Running Board on the Brackets or the bottom surface of the board will be damaged. Attach the Running Board to each Mounting Bracket with (2) M6x1-20mm Square Head Bolts, (2) M6 Large Flat Washers and (2) M6 X1 Nylon Lock Nuts (**Fig 12**). Do not fully tighten at this time.



(Fig 11) Slip M6X1-20mm Square Head Bolts Into The Bottom Channels

iBoard®

- (2) M6X1-20mm Square Head Bolts
- (2) M6 Large Flat Washers
- (2) M6X1 Nylon Lock Nuts



(Fig 12) Running Board Installed Onto the Mounting Bracket

STEP 6

Level and adjust the Running Board and fully tighten all hardware.

STEP 7

Repeat **Steps 1-6** for other side Running Board installation. The installation is completed (**Fig 13**).



(Fig 13) Installation Completed

Attention

Do periodic inspections to the installation to make sure that all hardware is secure and tight.

In order to protect your bars/boards, please use only mild soap/non-abrasive products for cleaning.