

iBoard®

iBoard® by APS

PART#: IB-R369

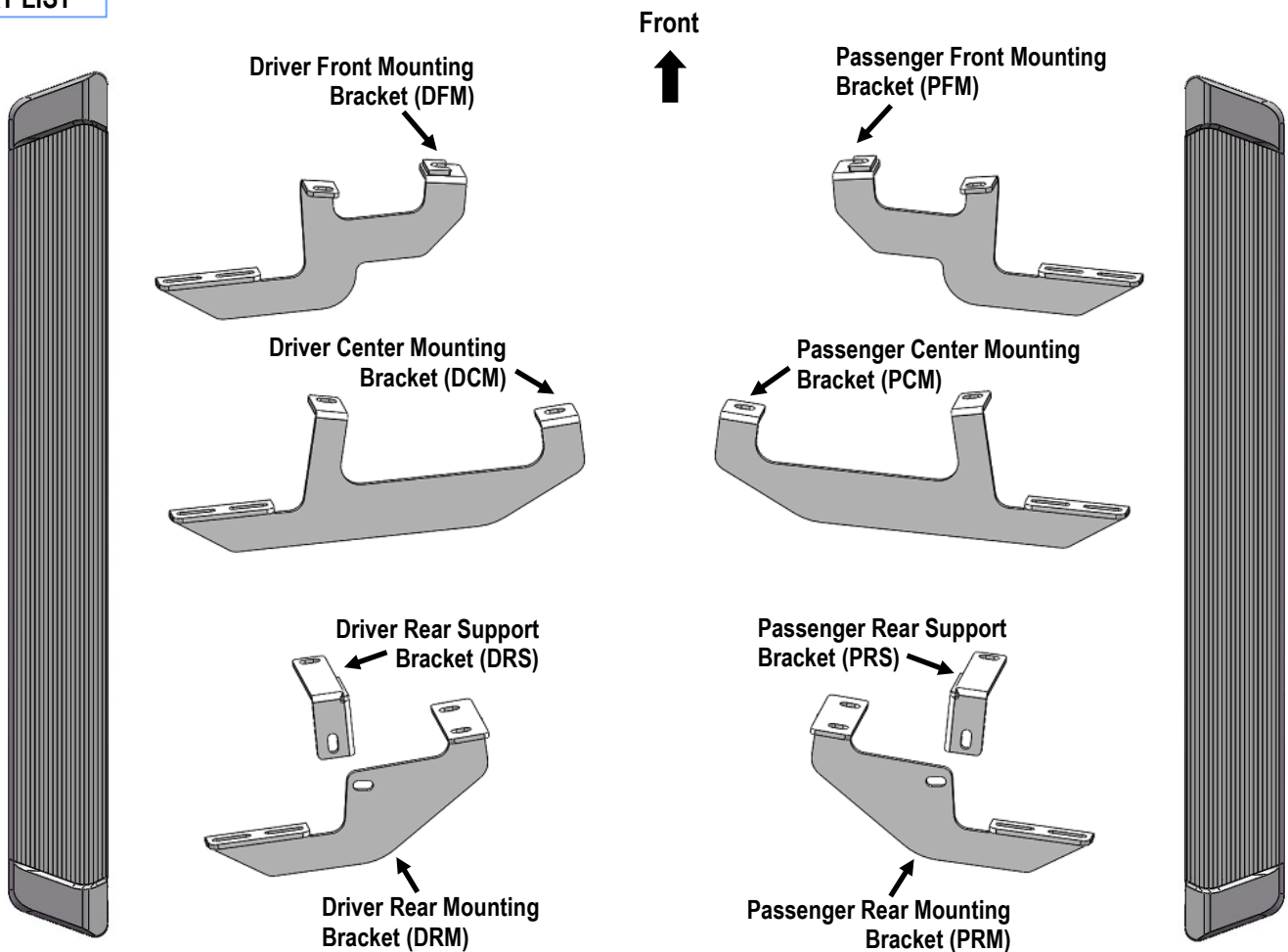
READ INSTRUCTIONS CAREFULLY BEFORE STARTING INSTALLATION. REMOVE CONTENTS FROM BOX AND VERIFY ALL PARTS ARE PRESENT. ASSISTANCE IS RECOMMENDED.

*ROCKER PANEL MOUNT

*NO DRILLING REQUIRED/ CUTTING IS REQUIRED

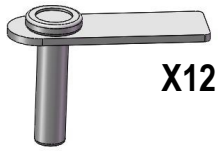
Fastener Size	Tightening Torque (ft-lbs)	Required
6mm	6-7	√
8mm	16-18	√
10mm	31-32	√
12mm	56-58	X
14mm	92-94	X

PART LIST



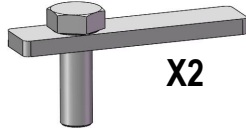
Customer Support: info@iboardauto.com

iBoard®



X12

M10X35 Bolt Plate



X2

M10X35 Long Bolt Plate



X14

M10 Plastic Washer



X14

M10 Flat Washer



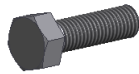
X14

M10 Lock Washer



X14

M10X1.5 Hex Nut



X2

M8X1.25-25mm Hex Bolt



X4

M8 Flat Washer



X2

M8 Lock Washer



X2

M8X1.25 Hex Nut



X12

M6X1-20mm Square Head Bolt



X12

M6 Large Flat Washer

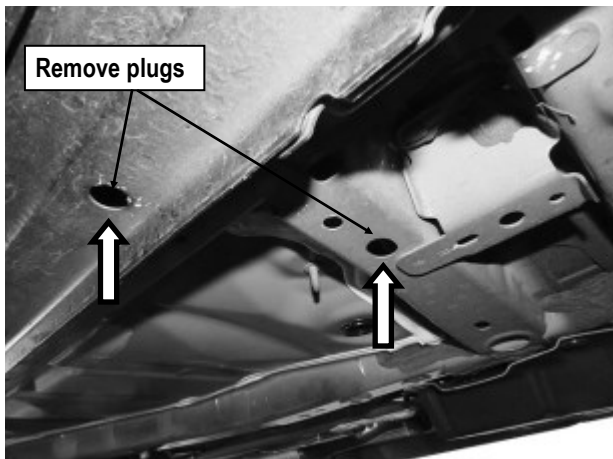


X12

M6 Nylon Lock Nut

STEP 1

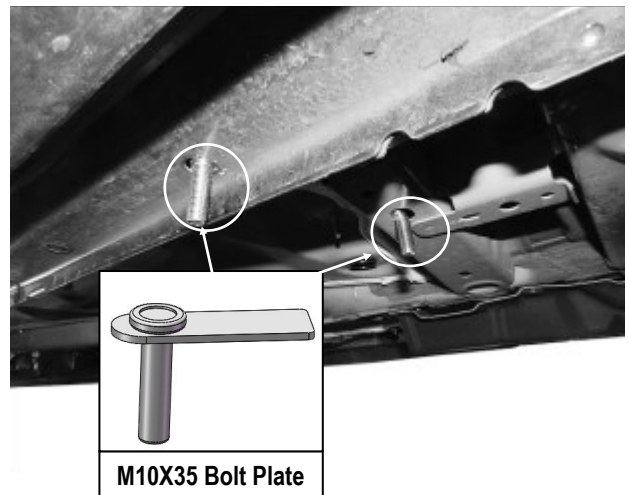
Start the installation from the Passenger Side Front Mounting Location of the vehicle. Locate and remove the plastic covers at the bottom of the vehicle, (Fig 15). Remove the plugs covering the mounting holes on the mounting location, (Fig 1).



(Fig 1) Passenger Side Front Mounting Location

STEP 2

Insert (2) M10X35 Bolt Plates into the (2) mounting holes, (Figs 1, 2).



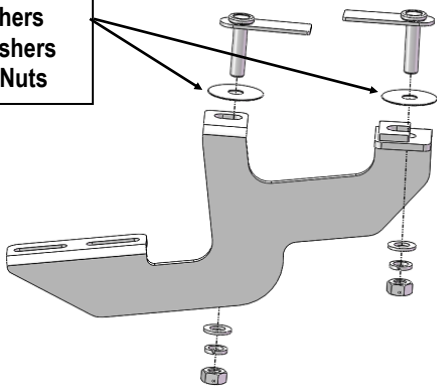
(Fig 2) Insert (2) M10X35 Bolt Plates
(Passenger Side Front Mounting Location)

iBoard®

STEP 3

Select the Passenger Front Mounting Bracket (PFM), attach the Bracket to the installed M10X35 Bolt Plates with (2) M10 Plastic Washers, (2) M10 Flat Washers, (2) M10 Lock Washers and (2) M10X1.5 Hex Nuts, (Fig 3). Do not fully tighten at this time.

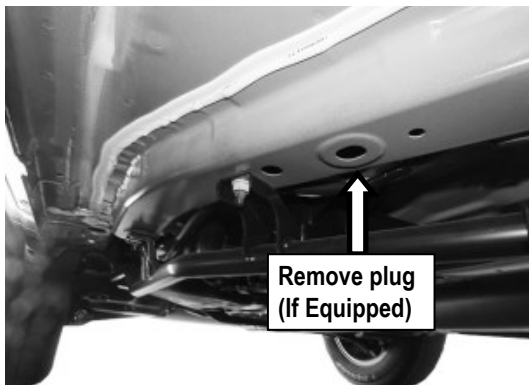
- (2) M10X35 Bolt Plates
- (2) M10 Plastic Washers
- (2) M10 Flat Washers
- (2) M10 Lock Washers
- (2) M10X1.5 Hex Nuts



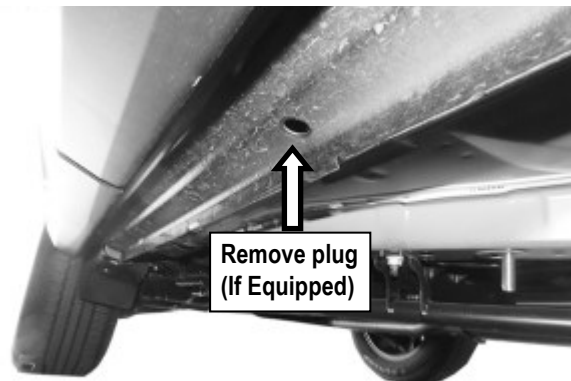
(Fig 3) Passenger Front Mounting Bracket Installation

STEP 4

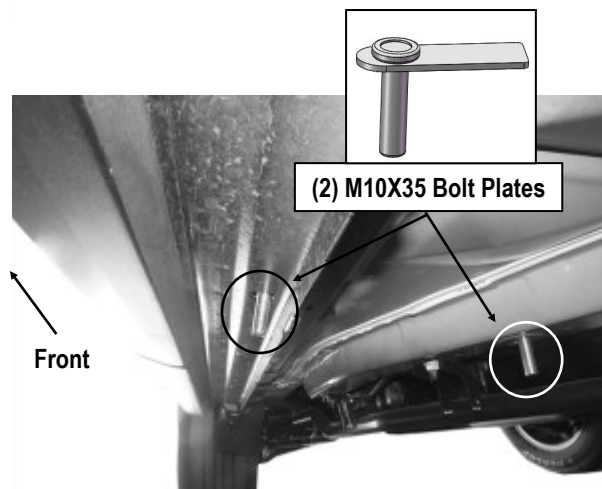
Move to the Passenger Side Center Mounting Location, (Figs 4 -6). Repeat Steps 1—3 to attach the Passenger Center Mounting Bracket to the center mounting location, (Fig 7). Do not fully tighten at this time.



(Fig 4) Passenger Side Center Mounting Location

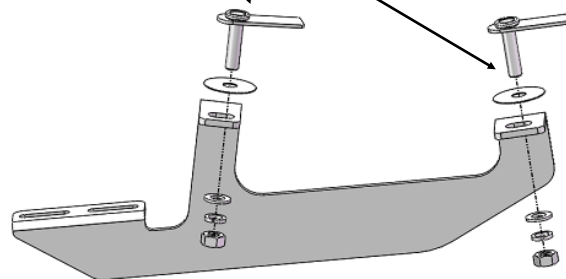


(Fig 5) Passenger Side Center Mounting Location



(Fig 6) Insert (2) M10X35 Bolt Plates
(Passenger Side Center Mounting Location)

- (2) M10X35 Bolt Plates
- (2) M10 Plastic Washers
- (2) M10 Flat Washers
- (2) M10 Lock Washers
- (2) M10X1.5 Hex Nuts

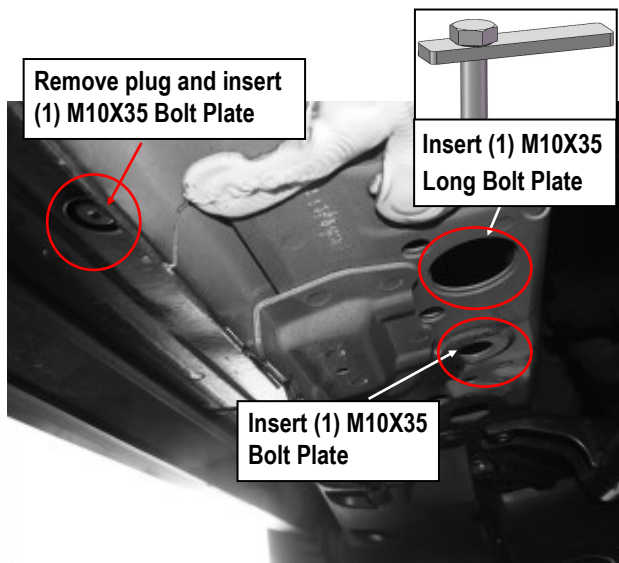


(Fig 7) Passenger Center Mounting Bracket Installation

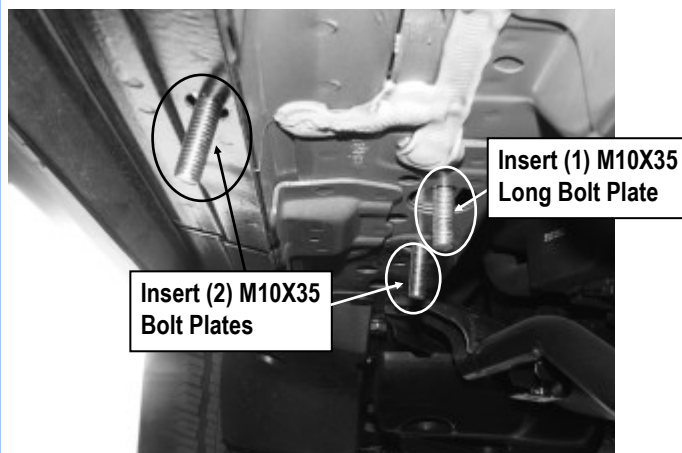
iBoard®

STEP 5

Move to the Passenger Side Rear Mounting Location, (Fig 8). Insert (1) M10X35 Long Bolt Plate into the large hole in the floor panel, (Fig 9). Insert (2) M10X35 Bolt Plates into the smaller holes beside the M10X35 Long Bolt Plate, (Fig 9).



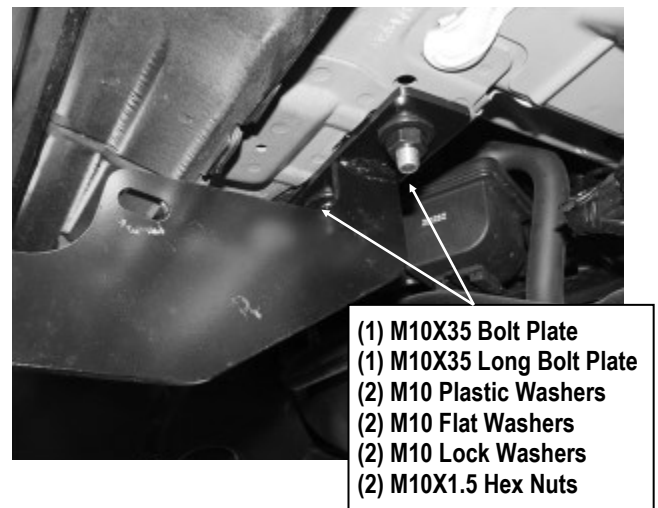
(Fig 8) Passenger Side Rear Mounting Location



(Fig 9) Passenger Side Rear Mounting Location

STEP 6

Select the Passenger Rear Mounting Bracket (PRM), attach the Bracket to the installed M10X35 Bolt Plate and M10X35 Long Bolt Plate with (2) M10 Plastic Washers, (2) M10 Flat Washers, (2) M10 Lock Washers and (2) M10X1.5 Hex Nuts, (Fig 10). Do not fully tighten at this time.



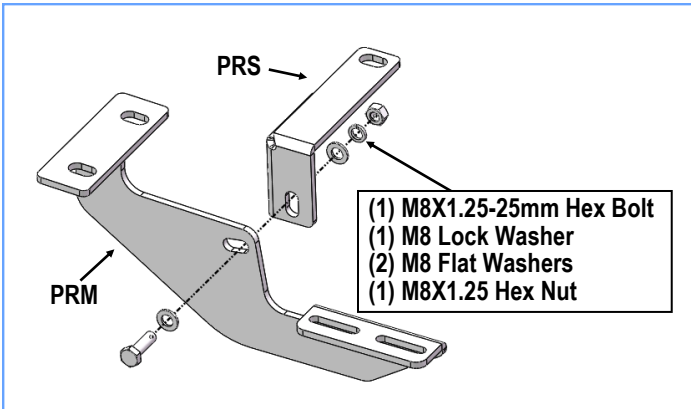
(Fig 10) Passenger Rear Mounting Bracket Installation

STEP 7

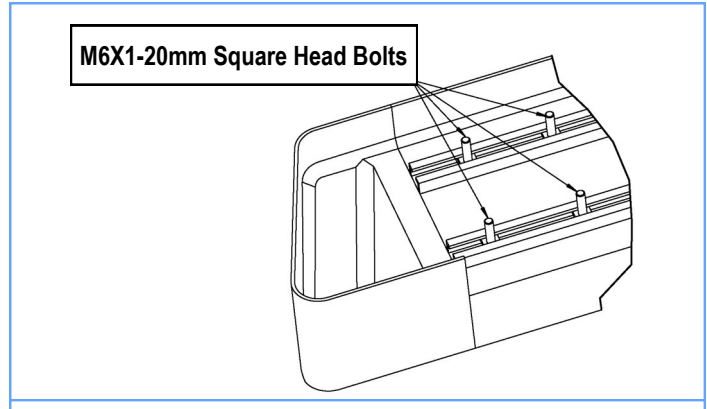
Select the Passenger Rear Support Bracket (PRS), secure the Passenger Rear Support Bracket (PRS) to the Passenger Rear Mounting Bracket (PRM) with (1) M8X1.25-25mm Hex Bolt, (2) M8 Large Flat Washers, (1) M8 Lock Washer and (1) M8X1.25 Hex Nut, (Figs 11 & 12). Do not fully tighten at this time.

Attach the other side of the support bracket to the installed M10X35 Bolt Plate with (1) M10 Plastic Washer, (1) M10 Flat Washer, (1) M10 Lock Washer and (1) M10X1.5 Hex Nut, (Fig 12). Do not fully tighten at this time.

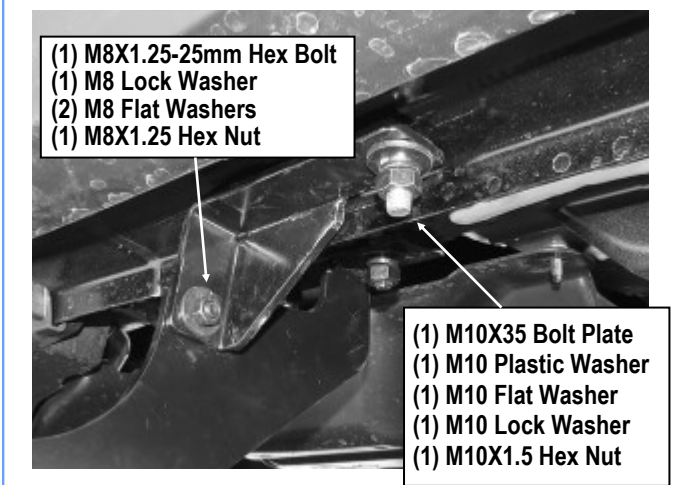
iBoard®



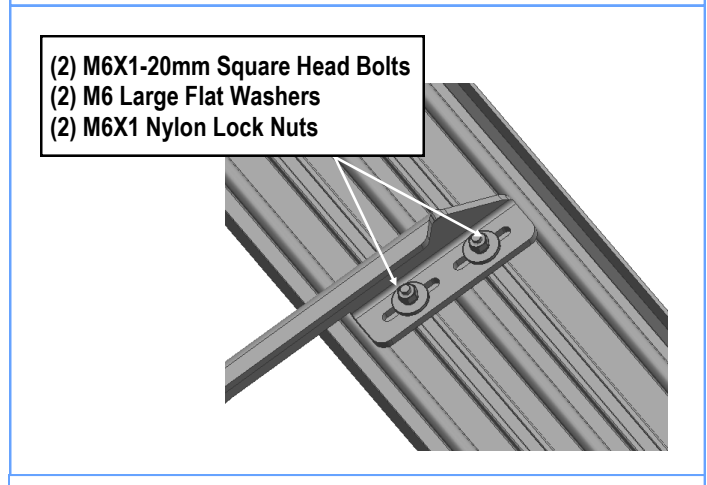
(Fig 11) Passenger Rear Support Bracket Assembly



(Fig 13) Slip M6X1-20mm Square Head Bolts Into The Bottom Channels



(Fig 12) Passenger Side Rear Support Bracket Installation



(Fig 14) Running Board Installed Onto Mounting Bracket

STEP 8

Once all (3) mounting brackets are installed, select a Running Board. Slip (3) M6X1-20mm Square Head Bolts into each bottom channel (Fig 13). Carefully position the Running Board onto the (3) Mounting Brackets.

IMPORTANT: Do not slide the Running Board on the Brackets or the bottom surface of the board will be damaged. Attach the Running Board to each Mounting Bracket with (2) M6X1-20mm Square Head Bolts, (2) M6 Large Flat Washers and (2) M6X1 Nylon Lock Nuts (Fig 14). Do not fully tighten at this time.

STEP 9

Level and adjust the Running Board and fully tighten all hardware.

Important: Please follow the recommended Tightening Torques shown in the table on page 1. Don't over tighten, or the nuts/bolts will be damaged.

iBoard®

STEP 10

Line up the factory plastic cover up to the original mounting locations. Mark where the Center Mounting Bracket is on the cover. Starting by making small cuts, remove the part of the covers that interfere with the Center Bracket. Reattach the plastic cover, (**Fig 15**).

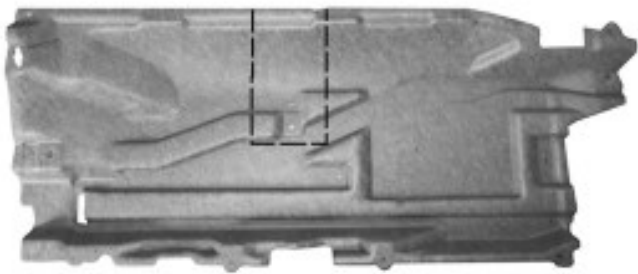


Fig 15

STEP 11

Repeat **Steps 1-10** for the other side Running Board installation. **The installation is completed.**

Attention

Do periodic inspections to the installation to make sure that all hardware is secure and tight.

In order to protect your bars/boards, please use only mild soap/non-abrasive products for cleaning.