

iBoard®

iBoard® by APS

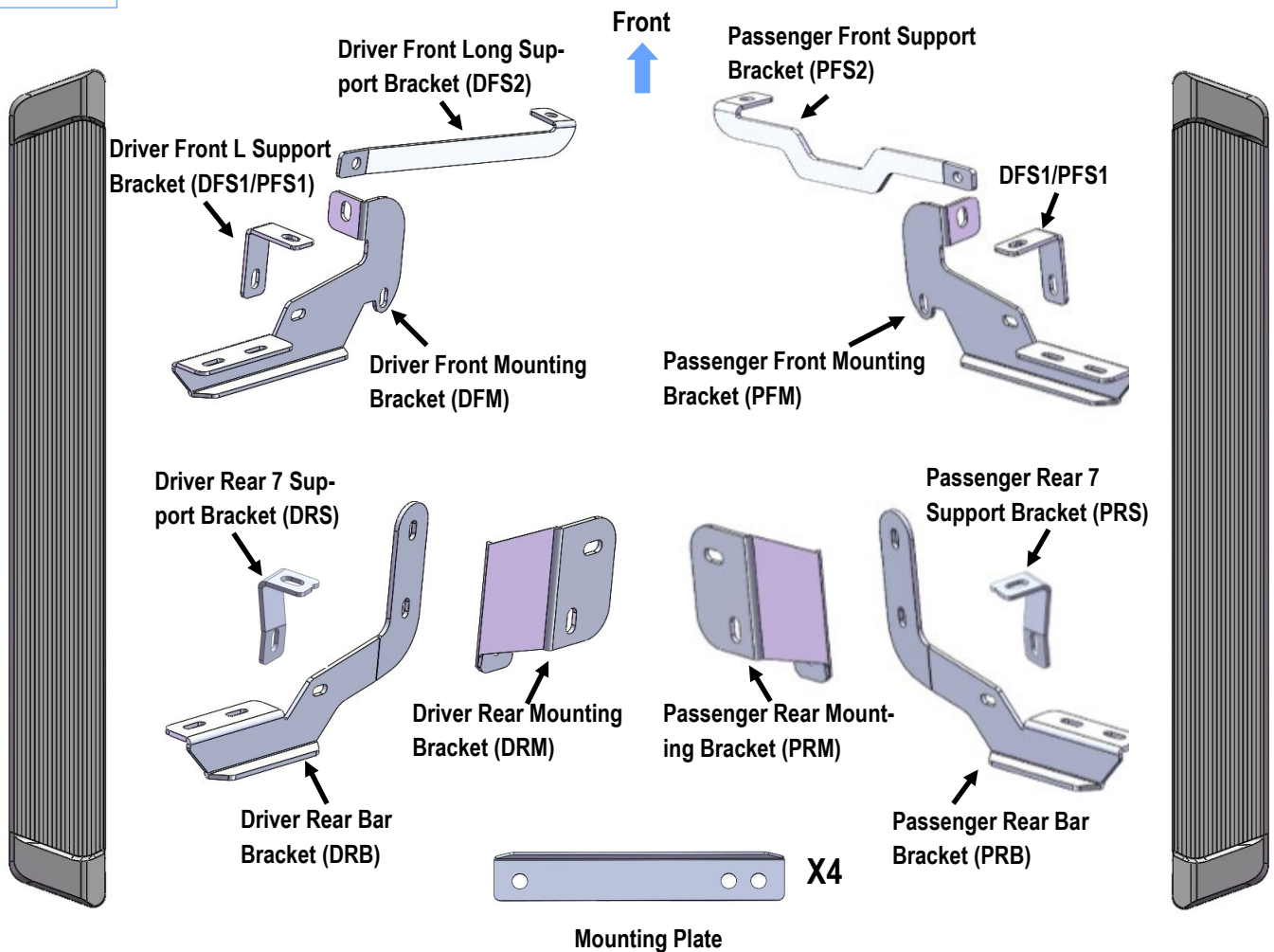
PART#: IB-R972A-B

READ INSTRUCTIONS CAREFULLY BEFORE STARTING INSTALLATION. REMOVE CONTENTS FROM BOX AND VERIFY ALL PARTS ARE PRESENT. ASSISTANCE IS RECOMMENDED.

***ROCKER PANEL MOUNT
*NO DRILLING REQUIRED**

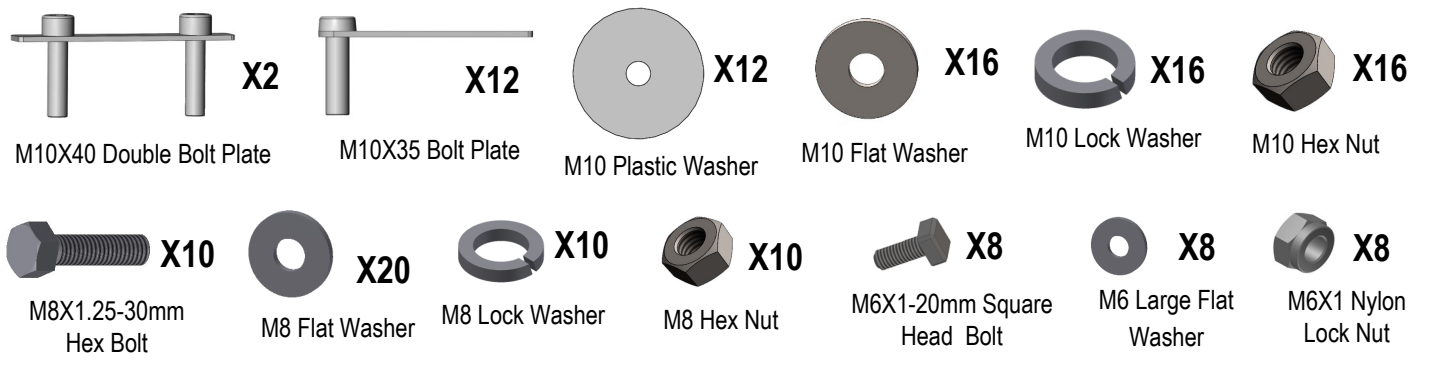
Fastener Size	Tightening Torque (ft-lbs)
6mm	6-7
8mm	16-18
10mm	31-32
12mm	56-58
14mm	92-94

PART LIST



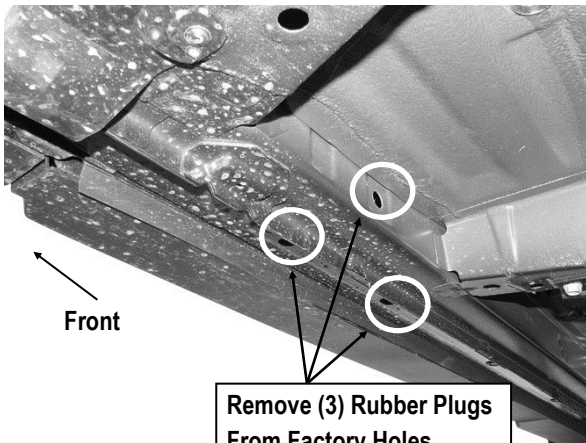
Customer Support: info@iboardauto.com

iBoard®



STEP 1

Start installation from the passenger side front of the vehicle. Locate and remove the (3) rubber plugs in the bottom of the outer frame channel closest to the front wheel opening, (Fig 1).



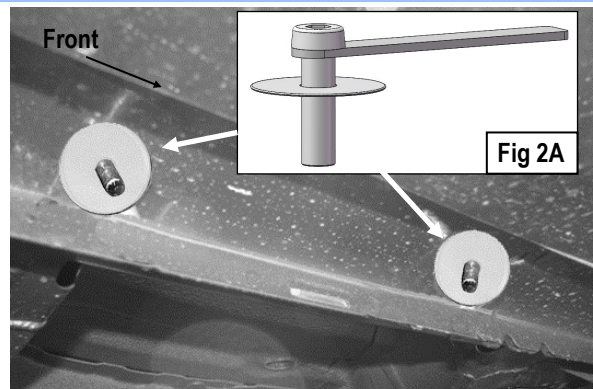
(Fig 1) Passenger Front Mounting Bracket Location

STEP 2

Select (2) M10X35 Bolt Plates and (2) M10 Plastic Washers, (Fig 2A). Thread (1) M10 Plastic Washer onto (1) M10X35 Bolt Plate. **NOTE:** The Plastic Washer is designed to protect and help to hold the Bolt Plate in place during Bracket installation.

Insert (1) M10X35 Bolt Plate into the first-forward hole with the plate pointed toward the rear of the vehicle, (Fig 2B). Thread the M10 Plastic Washer down tight against the body panel. Repeat to install the next M10X35 Bolt Plate into the second hole with the Plate pointed toward the front of the vehicle, (Figs 2B & 3).

Note: The Plates on the (2) Bolt Plates must be pointed toward each other, (Fig 3)



(Fig 2B) M10X35 Bolt Plates and M10 Plastic Washers Installation

STEP 3

Select (1) Mounting Plate, (Fig 3). Slide the Mounting Plate over the (2) M10X35 Bolt Plates with the bent side toward the pinch weld. Attach the Lock Plate to the rear Bolt Plate only with (1) M10 Flat Washer, (1) M10 Lock Washer and (1) M10 Hex Nut, (Fig 4). Tighten the Hex Nut at this time.

IMPORTANT: Repeat this **Step** for all (4) Mounting Plate installations.

iBoard®

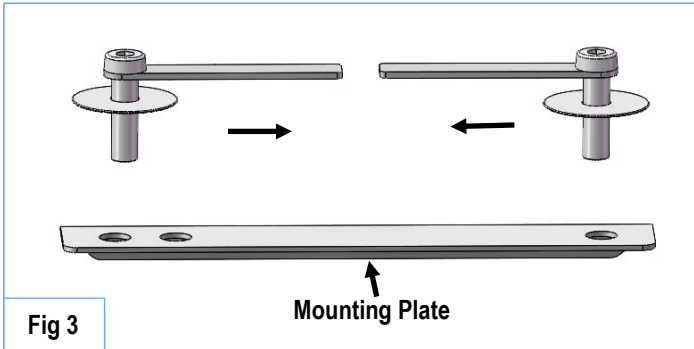


Fig 3

Mounting Plate

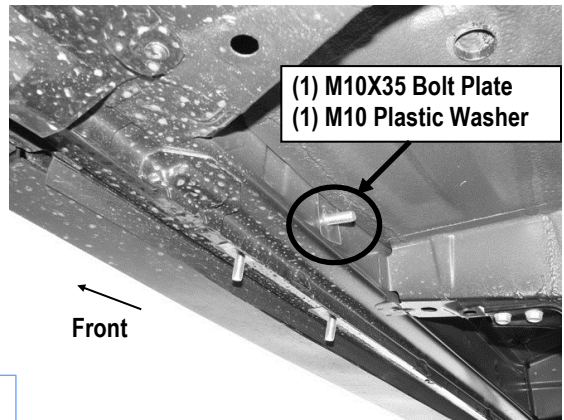
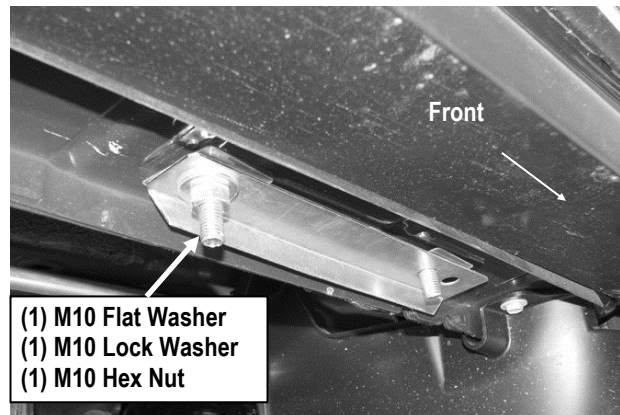


Fig 5



(Fig 4) Mounting Plate Installation

STEP 4

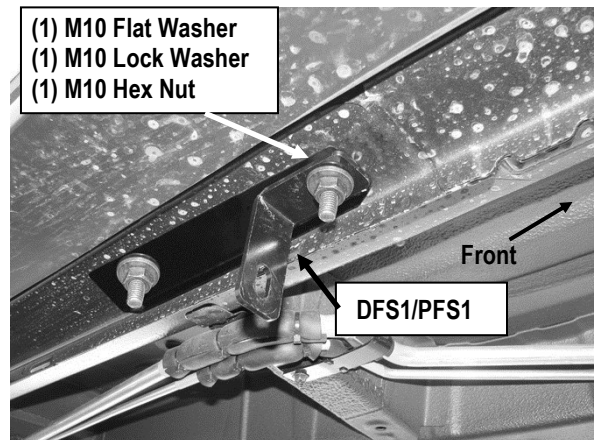
Locate the round hole in the back of the outer frame channel directly behind the previously installed Bolt Plates, (Figs 1 & 5). Select (1) M10X35 Bolt Plate and (1) M10 Plastic Washer, (Fig 2A). Partially thread the M10 Plastic Washer onto the M10X35 Bolt Plate. Insert the M10X35 Bolt Plate into the hole and tighten the 10 Plastic Washer as previously described in Step 2, (Fig 5). **Note:** Repeat this Step for all (4) M10X35 Bolt Plate installations.

IMPORTANT: Mounting areas may be covered with undercoating. Scrape excess undercoating from body panel at all mounting locations. Brackets must mount flat against body panels.

STEP 5

Select (1) Passenger Front L Support Bracket (DFS1/PFS1), (Fig 6). Attach the shorter leg on the L Support Bracket to the front M10X35 Bolt Plate with (1) M10 Flat Washer, (1) M10 Lock Washer and (1) M10 Hex Nut, (Fig 6). Do not fully tighten hardware at this time.

Note: Passenger Front L Support Bracket (DFS1/PFS1) and Rear 7 Support Bracket (PRS) are different.

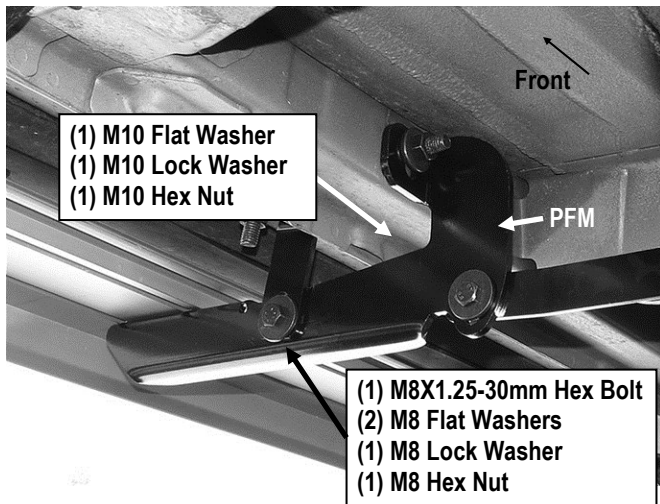


(Fig 6) Passenger Front L Support Bracket (DFS1/PFS1) Installation

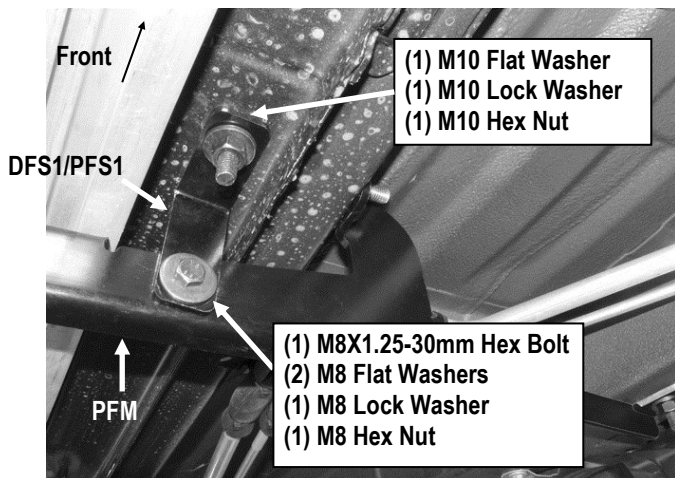
iBoard®

STEP 6

Select the Passenger Front Mounting Bracket (PFM). Attach the Bracket to the upper M10X35 Bolt Plate in the back of the frame channel with (1) M10 Flat Washer, (1) M10 Lock Washer and (1) M10 Hex Nut, (Fig 7). Attach the Passenger Front Mounting Bracket to the back of the Passenger Front L Support Bracket (DFS1/PFS1) with (1) M8X1.25-30mm Hex Bolt, (2) M8 Flat Washers, (1) M8 Lock Washer and (1) M8 Hex Nut, (Figs 7 & 8). Do not fully tighten hardware at this time.



(Fig 7) Passenger Front Mounting Bracket (PFM) Installation



(Fig 8) Passenger Front Mounting Bracket (PFM) Installation

STEP 7

Next, locate the factory holes in the bottom of the inner frame channel directly behind the tie down loop where the frame is joined together.

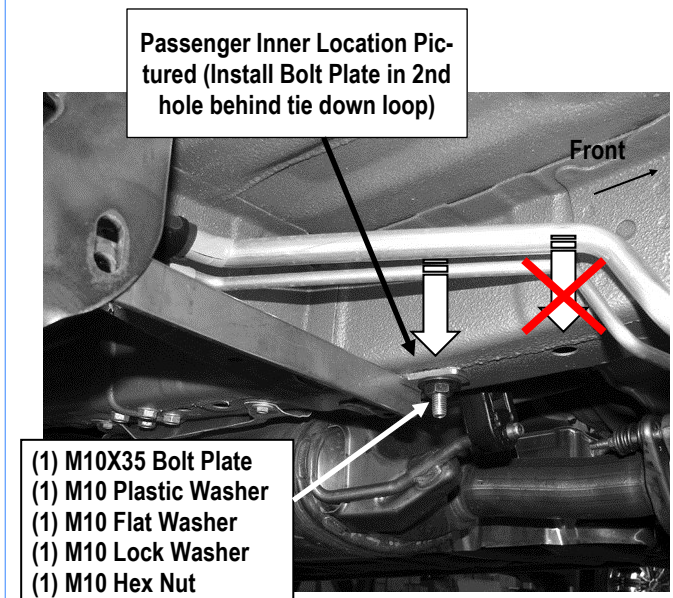
Select (1) M10X35 Bolt Plate and (1) M10 Plastic Washer. Partially thread the M10 Plastic Washer onto the Bolt Plate. Insert the Bolt Plate into the correct factory hole in the frame channel (Fig 9 & 11).

Select (1) Passenger Front Long Support Bracket (PFS2). Determine the correct factory hole to use:

Passenger side installation: Use the 2nd factory hole back from the loop, (Figs 9 & 10).

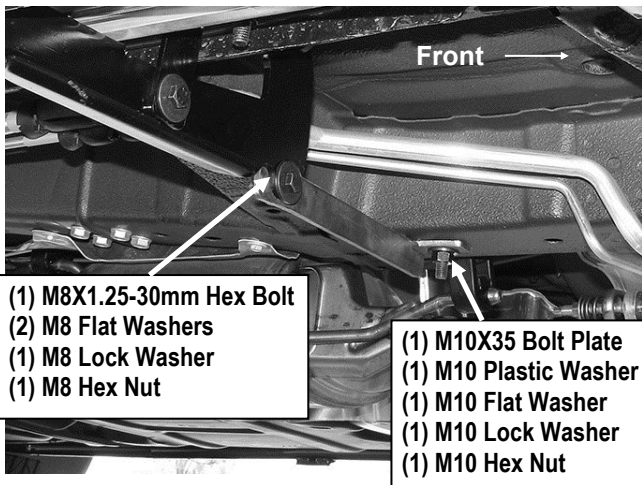
Driver side installation: Use the factory hole closest to the loop, (Fig 11).

Attach the 90-degree bent end of the Long Support Bracket to the M10X35 Bolt Plate in the frame channel with (1) M10 Flat Washer, (1) M10 Lock Washer and (1) M10 Hex Nut, (Figs 9 – 11). **IMPORTANT:** The driver side and passenger side Long Front Support Brackets do not install in the same manner.

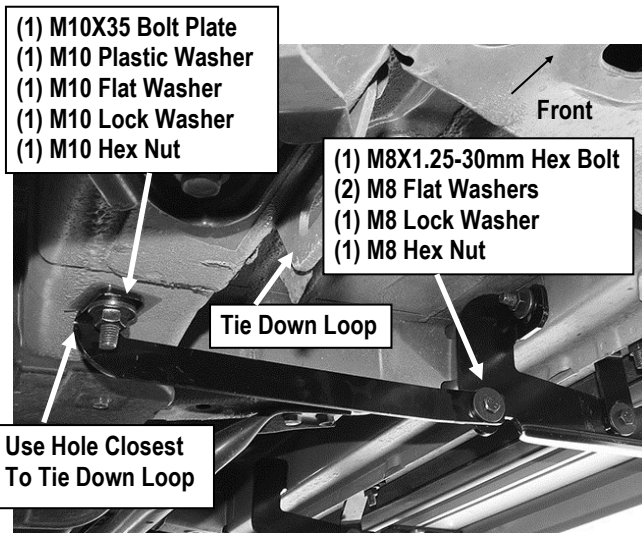


(Fig 9) Passenger Front Long Support Bracket (PFS) Location (Bolt Support Bracket To Back Side Of Front Bracket)

iBoard®



(Fig 10) Passenger Front Long Support Bracket (PFS2) Location



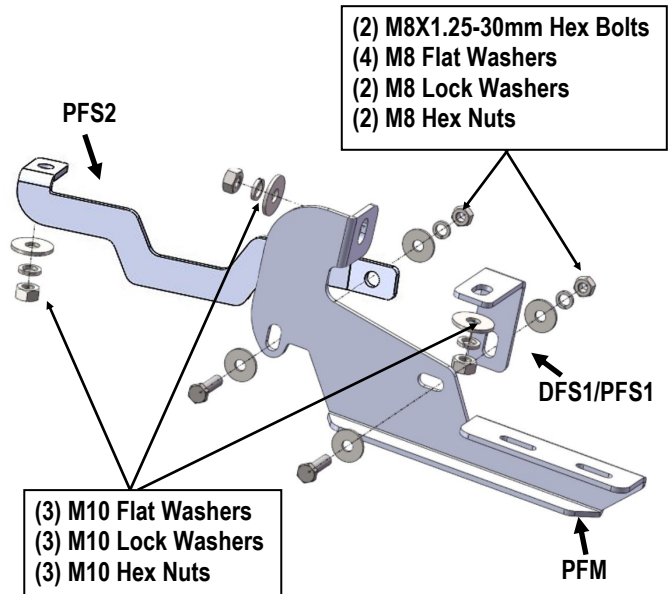
(Fig 11) Driver Front Long Support Bracket (DRS2) Location
(Bolt Support Bracket To Front Side Of Front Bracket)

STEP 8

Bolt the outer end of the Passenger Front Long Support Bracket (**PFS2**) to the Passenger Front Mounting Bracket (**PFM**) with (1) M8X1.25-30mm Hex Bolt, (2) M8 Flat Washers, (1) M8 Lock Washer and (1) M8 Hex Nut, (**Fig 10 & 12**). Do not fully tighten hardware at this time.

Note: Attach the passenger side Long Support Bracket to the **back** of the Front Mounting Bracket, (**Figs 9 & 10**).

Attach the driver side Long Support Bracket to the **front** of the Front Mounting Bracket, (**Fig 11**).

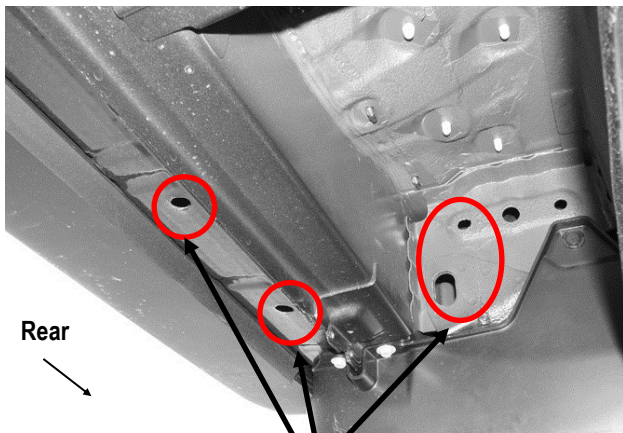


(Fig 12) Passenger Side Front Brackets Location

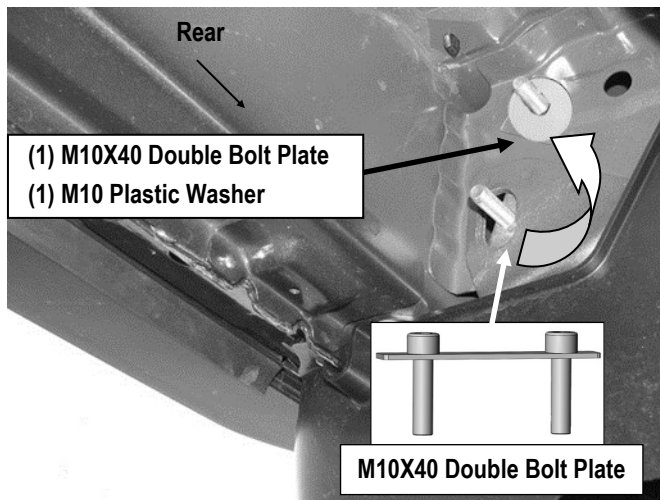
STEP 9

Move to the rear mounting location in front of the passenger side rear tire opening. Locate the large oval and the round holes in the inner body panel in front of the rear tire, (**Fig 13**). Select (1) M10X40 Double Bolt Plate and (1) M10 Plastic Washer. Insert the M10X40 Double Bolt Plate into the oval hole and up and out of the smaller round hole above it. Thread the Plastic Washer onto the M10X40 Double Bolt Plate in the round hole only, (**Fig 14**)

iBoard®



(Fig 13) Passenger Side Rear Mounting Location Pictured



(Fig 14) M10 Double Bolt Plate Installation

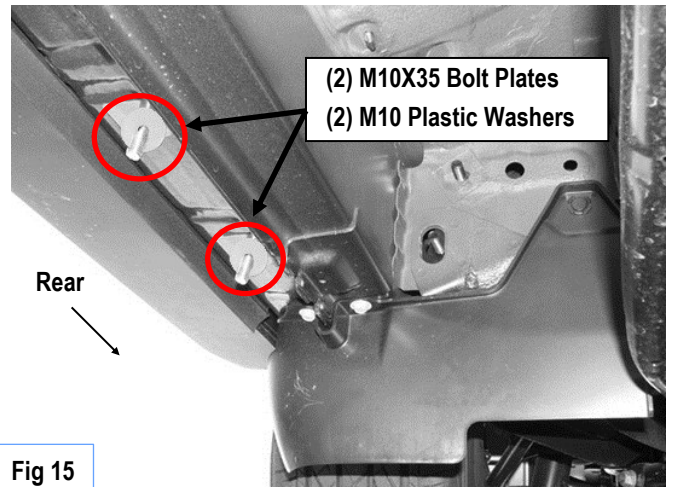
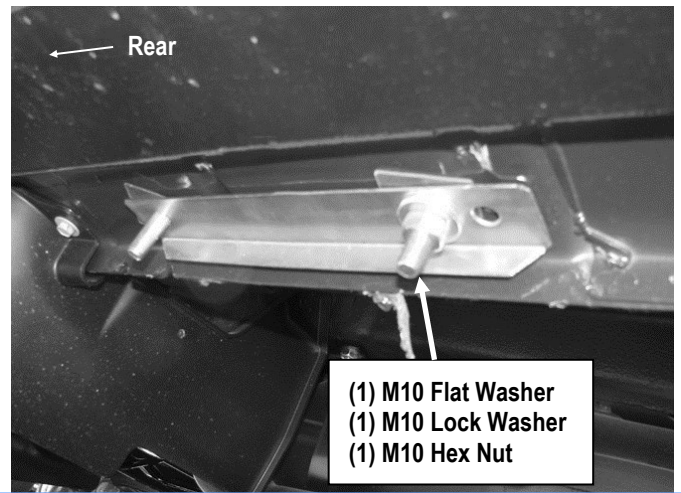


Fig 15



(Fig 16) Mounting Plate Installation

STEP 10

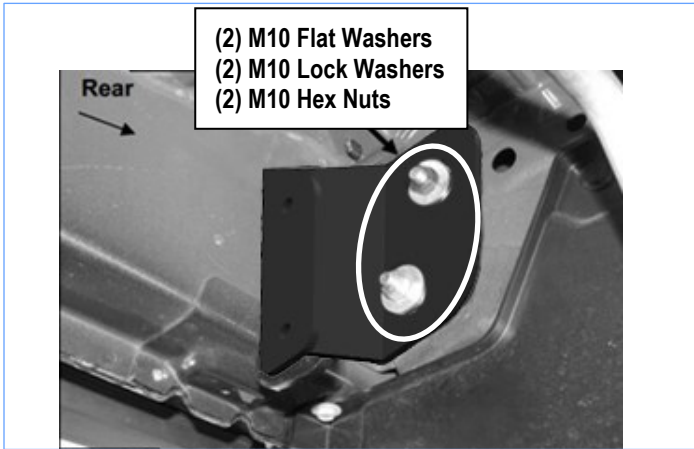
Locate the last (2) round holes along the floor panel, (Fig 15) . Repeat **Steps 1-3** to install the (2) M10X35 Bolt Plates and (1) Mounting Plate, (Fig 15 & 16) **NOTE:** Attach the Mounting Plate to the front of M40X35 Bolt Plate only with (1) M10 Flat Washer, (1) M10 Lock Washer and (1) M10 Hex Nut, (Fig 16). Tighten the Hex Nut at this time.

STEP 11

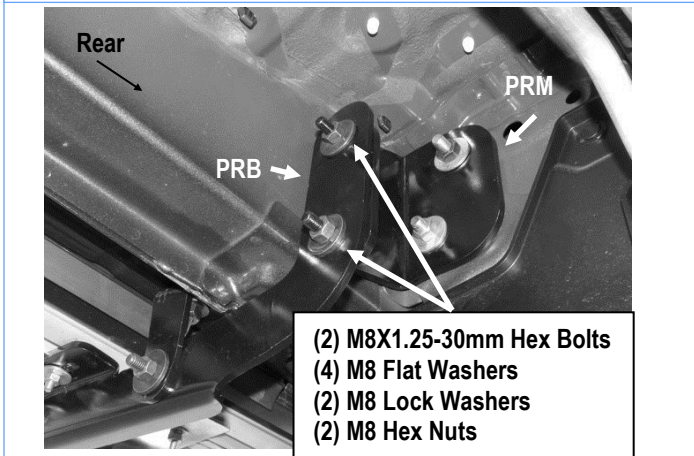
Select the Passenger Rear Mounting Bracket (**PRM**). Attach the Mounting Bracket to the M10X40 Double Bolt Plate with (2) M10 Flat Washers, (2) M10 Lock Washers and (2) M10 Hex Nuts, (Fig 17). Do not fully tighten hardware at this time.

Next, attach the Passenger Rear Bar Bracket (**PRB**) to the front of the Mounting Bracket with (2) M8X1.25-30mm Hex Bolts, (4) M8 Flat Washers, (2) M8 Lock Washers and (2) M8 X1.25 Hex Nuts, (Fig 18). Do not fully tighten hardware at this time.

iBoard®



(Fig 17) Passenger Rear Mounting Bracket (PRM) Installation

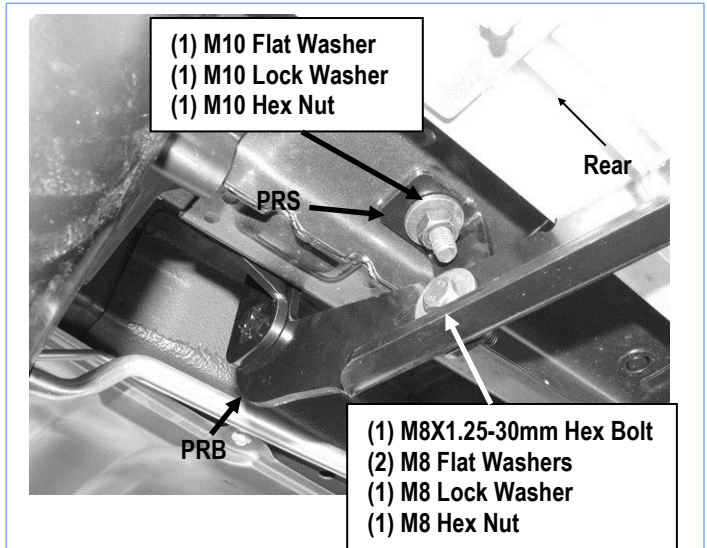


(Fig 18) Passenger Rear Mounting Bracket (PRM) And Passenger Rear Bar Bracket (PRB) Assembly

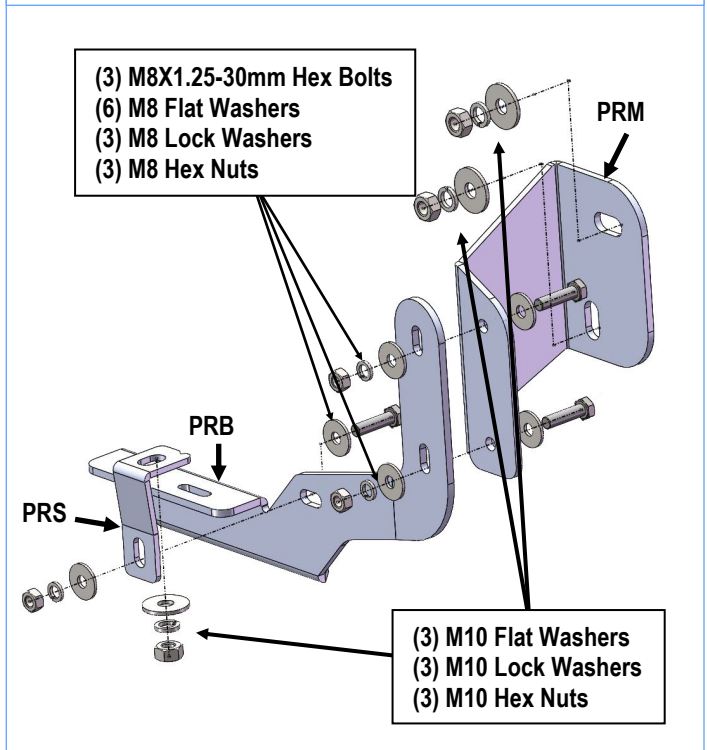
STEP 12

Attach the Passenger Rear 7 Support Bracket (**PRS**) to the rear of M10X35 Bolt Plate with (1) M10 Flat Washer, (1) M10 Lock Washer and (1) M10 Hex Nut, (**Fig 19 & 20**). Do not fully tighten hardware at this time.

Bolt the Passenger Rear 7 Support Bracket (**PRS**) to the back of the Passenger Rear Bar Bracket (**PRB**) with (1) M8X1.25-30mm Hex Bolt, (2) M8 Flat Washers, (1) M8 Lock Washer and (1) M8 Hex Nut, (**Fig 19 & 20**). Do not fully tighten hardware at this time.



(Fig 19) Passenger Rear 7 Support Bracket (DRS/PRS) Installation



(Fig 20) Passenger Side Rear Bracket Location Pictured

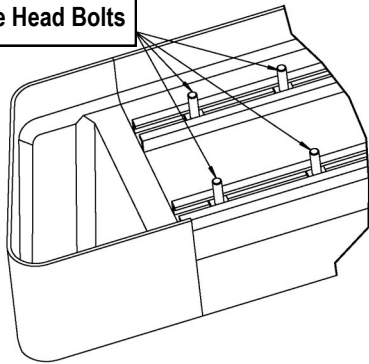
iBoard®

STEP 13

Select a Running Board. Slip (2) M6X1-20mm Square Head Bolts into each bottom channel (**Fig 21**). Carefully position the Running Board onto the (2) Mounting Brackets.

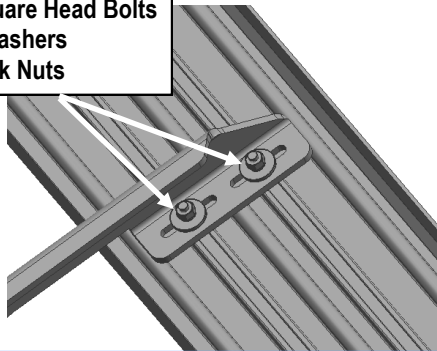
IMPORTANT: Do not slide the Running Board on the Brackets or the bottom surface of the board will be damaged. Attach the Running Board to each Mounting Brackets with (2) M6x1-20mm Square Head Bolts, (2) M6 Large Flat Washers and (2) M6 X1 Nylon Lock Nuts (**Fig 22**). Do not fully tighten at this time.

M6X1-20mm Square Head Bolts



(Fig 21) Slip M6X1-20mm Square Head Bolts Into The Bottom Channels

(2) M6X1-20mm Square Head Bolts
(2) M6 Large Flat Washers
(2) M6X1 Nylon Lock Nuts



(Fig 22) Running Board Installed Onto Mounting Bracket

STEP 14

Level and adjust the Running Board and fully tighten all hardware.

STEP 15

Repeat **Steps 1-14** for the other side Running Board installation. The installation is completed (**Fig 23**).



(Fig 23) Installation Completed

Attention

Do periodic inspections to the installation to make sure that all hardware is secure and tight.

In order to protect your bars/boards, please use only mild soap/non-abrasive products for cleaning.