

# iBoard®



Scan for  
Installation Video

## iBoard® by APS

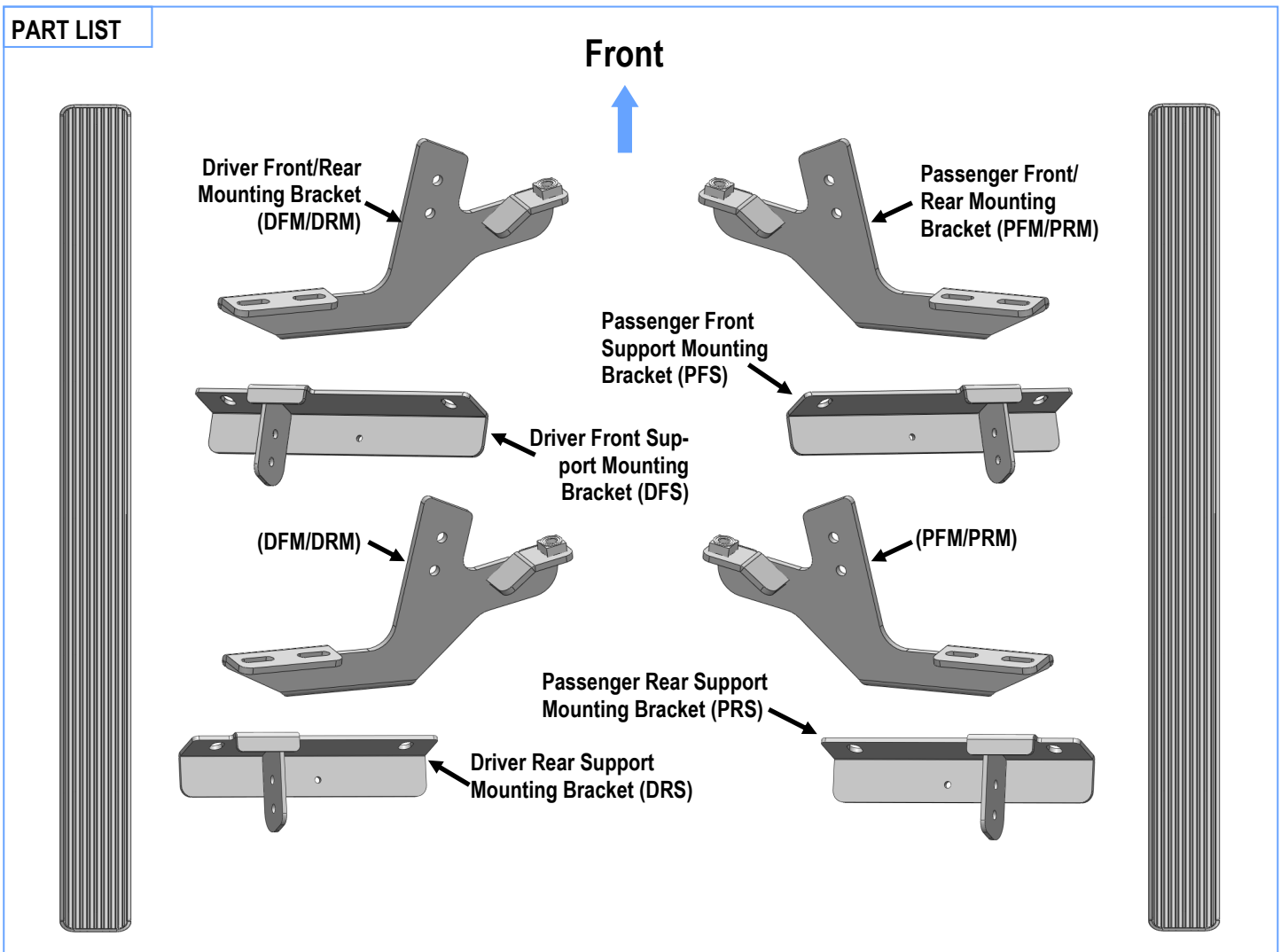
PART#: IB-329

READ INSTRUCTIONS CAREFULLY BEFORE STARTING INSTALLATION. REMOVE CONTENTS FROM BOX AND VERIFY ALL PARTS ARE PRESENT. ASSISTANCE IS RECOMMENDED.

\*ROCKER PANEL MOUNT  
\*NO DRILLING REQUIRED

| Fastener Size | Tightening Torque (ft-lbs) | Required |
|---------------|----------------------------|----------|
| 6mm           | 6-7                        | √        |
| 8mm           | 16-18                      | √        |
| 10mm          | 31-32                      | √        |
| 12mm          | 56-58                      | X        |
| 14mm          | 92-94                      | X        |

### PART LIST



Customer Support: [info@iboardauto.com](mailto:info@iboardauto.com)



## Hardware Package A (For Bracket Installation)

| Item | QTY | Description            | Item | QTY | Description                   |
|------|-----|------------------------|------|-----|-------------------------------|
| 1#   | 4   | Backing plates         | 5#   | 12  | M10 Lock Washers              |
| 2#   | 8   | M10X35 Bolt Plates     | 6#   | 12  | M10 Hex Nuts                  |
| 3#   | 4   | M10X1.5-50mm Hex Bolts | 7#   | 8   | M8X1.25-20mm Hex Flange Bolts |
| 4#   | 12  | M10 Large Flat Washers | 8#   | 8   | M8 Hex Flange Nuts            |

1#                      2#                      3#                      4#                      5#                      6#                      7#                      8#

## Hardware Package B (For Aluminum Step Bar Installation Only, Not Supply to SS. Step Bar)

| Item | QTY | Description                 | Item | QTY | Description        |
|------|-----|-----------------------------|------|-----|--------------------|
| 1#   | 8   | M6X1-20mm Square Head Bolts | 3#   | 8   | M6 Nylon Lock Nuts |
| 2#   | 8   | M6 Large Flat Washers       |      |     |                    |

1#                      2#                      3#

## Hardware Package C (For Stainless Steel Step Bar Installation Only, Not Supply to Aluminum Step Bar)

| Item | QTY | Description         | Item | QTY | Description     |
|------|-----|---------------------|------|-----|-----------------|
| 1#   | 8   | M6X1-20mm Hex Bolts | 3#   | 8   | M6 Flat Washers |
| 2#   | 8   | M6 Lock Washers     |      |     |                 |

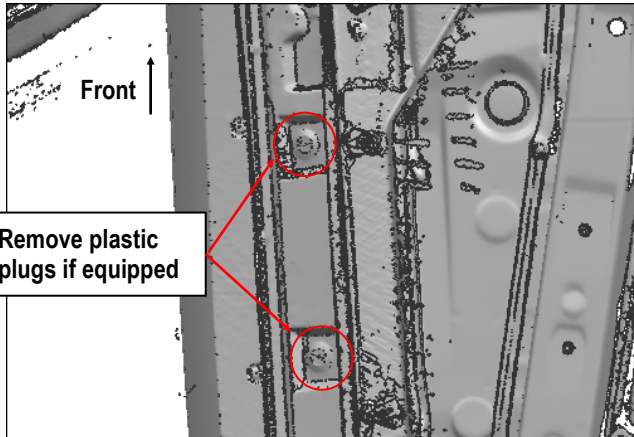
  

1#                      2#                      3#



## STEP 1

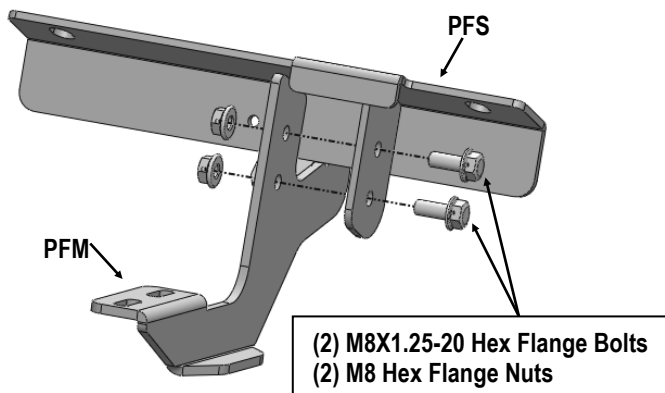
Start installation front the passenger side front of the vehicle. Locate the threaded holes in the body panel, remove the plastic plugs if equipped. (Fig 1).



(Fig 1) Passenger Side Front Mounting Location

## STEP 2

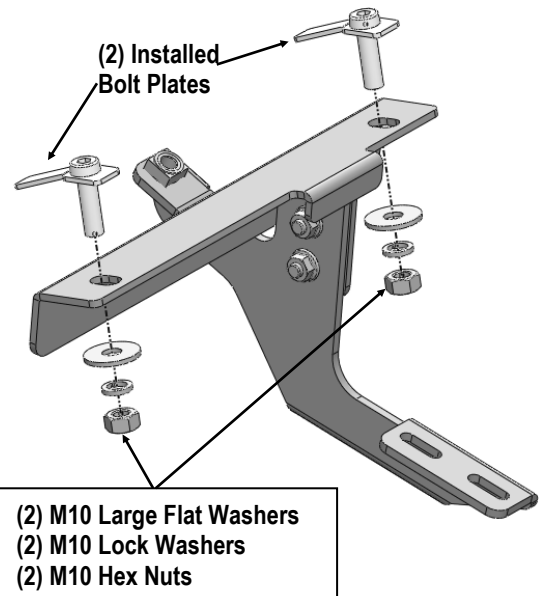
Assemble Passenger Front Mounting Bracket (PFM) and Passenger Front Support Bracket (PFS) with (2) M8X1.25-20mm Hex Flange Bolts, (2) M8 Hex Flange Nuts. Do not fully tighten at this time. (Fig 2)



(Fig 2) Passenger Front Mounting Brackets Assembly

## STEP 3

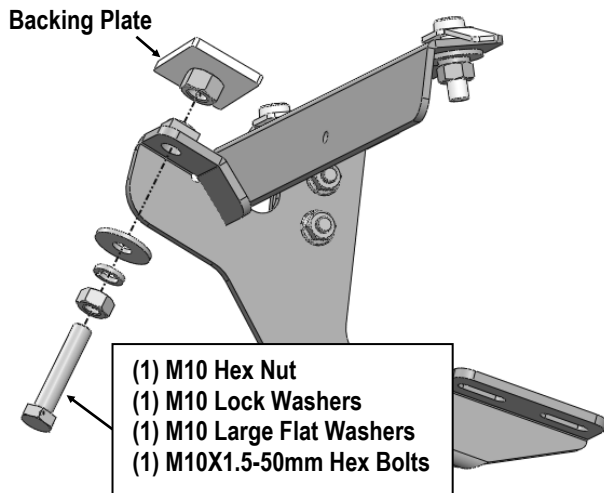
Select (2) M10X35 Bolt Plates, insert the Bolt Plates into the front mounting location. Attach the assembled Passenger Front Mounting Brackets to the Installed bolt plates with (2) M10 Large Flat Washers, (2) M10 Lock Washers and (2) M10 Hex Nuts, Do not fully tighten at this time. (Fig 3).



(Fig 3) Passenger Front Support Bracket Installation

## STEP 4

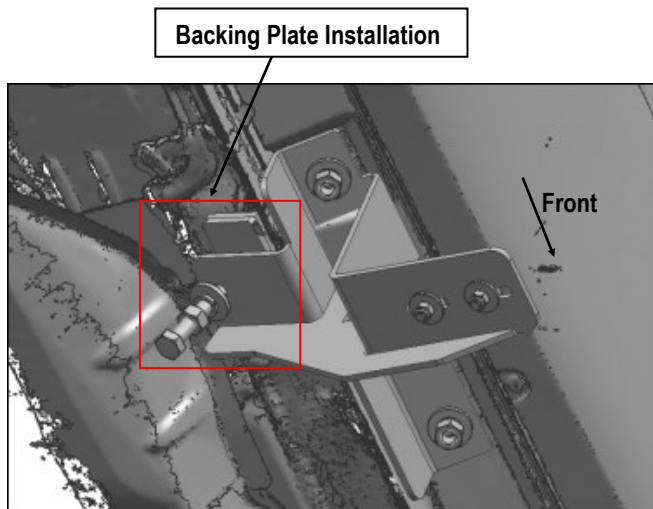
Select (1) Backing Plate, (1) M10X1.5 Hex Nut, (1) M10 Lock Washer and (1) M10X1.5-50mm Hex Bolt. Thread the M10X1.5 Hex Nut and M10 Lock Washer all the way down the long Hex Bolt. Screw the Hex Bolt and Nut a few threads into and through the Nut welded onto the back tab on the Passenger Front Mounting Bracket. Insert the Backing Plate with the welded socket facing down, into the space between the Driver Front Bar Bracket and the floor panel behind the pinch weld, (Fig 4). Tighten the Hex Bolt into the socket on the Backing Plate until the Plate is close to but not touching the floor panel. Do not tighten hardware at this time.



(Fig 4) Passenger Front Mounting Bracket Installation

## STEP 5

Repeat **Steps 1-4** to attach Passenger Rear Mounting Bracket and Support Bracket. Do not tighten hardware at this time. (Fig 5).



(Fig 5) Passenger Rear Mounting Bracket Installed (Example)

## STEP 6

Once all (2) mounting brackets are installed, then proceed to the Step Bar installation. According to the style of Step Bar proceed to the correct installation STEPS.

**Note:** Aluminum Step Bar refer to STEP 7; Stainless Steel Step Bar skip to STEP 8.

## STEP 7

### Aluminum Step Bar Installation:

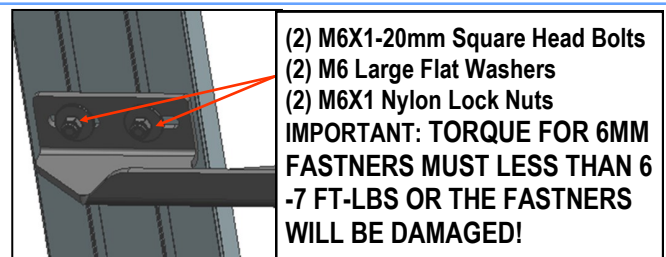
Select a **Aluminum Step Bar**. Slide (2) M6X1-20mm Square Head Bolts into each bottom channel (Fig 6). Carefully position the Step Bar onto the (2) Mounting Brackets.

**IMPORTANT:** Do not slide the Step Bar on the Brackets or the bottom surface of the board will be damaged. Attach the Step Bar to each Mounting Brackets with (2) M6X1-20mm Square Head Bolts, (2) M6 Large Flat Washers and (2) M6X1 Nylon Lock Nuts, (Fig 7). Do not fully tighten at this time.

Level and adjust the Step Bar and fully tighten all hardware. Repeat **Steps 1-7** for the other side Step Bar installation. **The installation is completed!!!**



(Fig 6) Slide M6X1-20mm Square Head Bolts Into The Bottom Channels



(Fig 7) Running Board Installed Onto Mounting Bracket



## STEP 8

### **Stainless Steel Step Bar Installation:**

Select a **Stainless Steel Step Bar** (with the U-Sliders installed on the Bar). Loose the U-Sliders, reposition the U-Sliders onto the board according to the (2) Installed Mounting Brackets location, **(Fig 8)**. Re-secure the U-Sliders on the Step Bar. Attach the Step Bar to the installed Mounting Brackets with (4) M6X1-20mm Hex Bolts, (4) M6 Large Flat Washers & (4) M6 Lock Washers, **(Fig 9)**. Do not fully tighten hardware at this time.

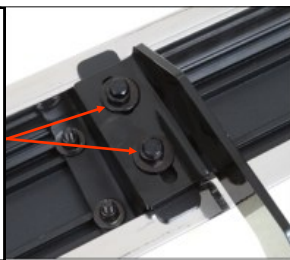
Level and adjust the Step Bar and fully tighten all hardware. Repeat **Steps 1-6 and 8** for the other side Step Bar installation. **The installation is completed!!!**



**(Fig 8) Slide & line up the U-Slider with the installed mounting brackets along bottom channel**

- (2) M6X1-20mm Hex Bolts
- (2) M6 Large Flat Washers
- (2) M6 Lock Washers

**IMPORTANT: TORQUE FOR 6MM FASTNERS MUST LESS THAN 6-7 FT-LBS OR THE FASTNERS WILL BE DAMAGED!**



**(Fig 9) Step Bar Installed on Bracket Installed (Example)**

### **Attention**

**Do periodic inspections to the installation to make sure that all hardware is secure and tight.**

**In order to protect your bars/boards, please use mild soap/non-abrasive products for cleaning only.**