

iBoard®

iBoard® by APS

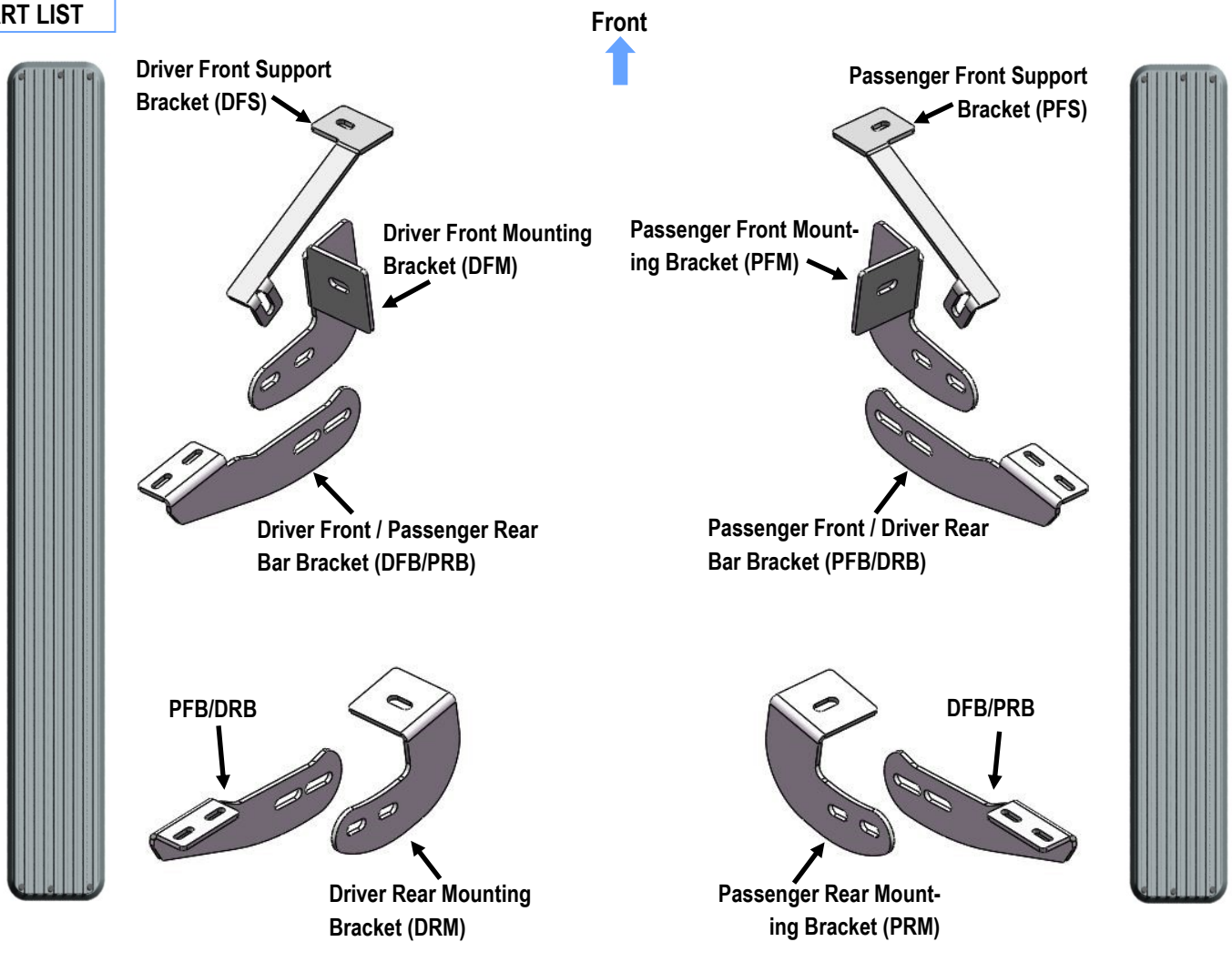
PART#: IB-099A-B

READ INSTRUCTIONS CAREFULLY BEFORE STARTING INSTALLATION. REMOVE CONTENTS FROM BOX AND VERIFY ALL PARTS ARE PRESENT. ASSISTANCE IS RECOMMENDED.

*BODY FRAME MOUNT
*NO DRILLING REQUIRED

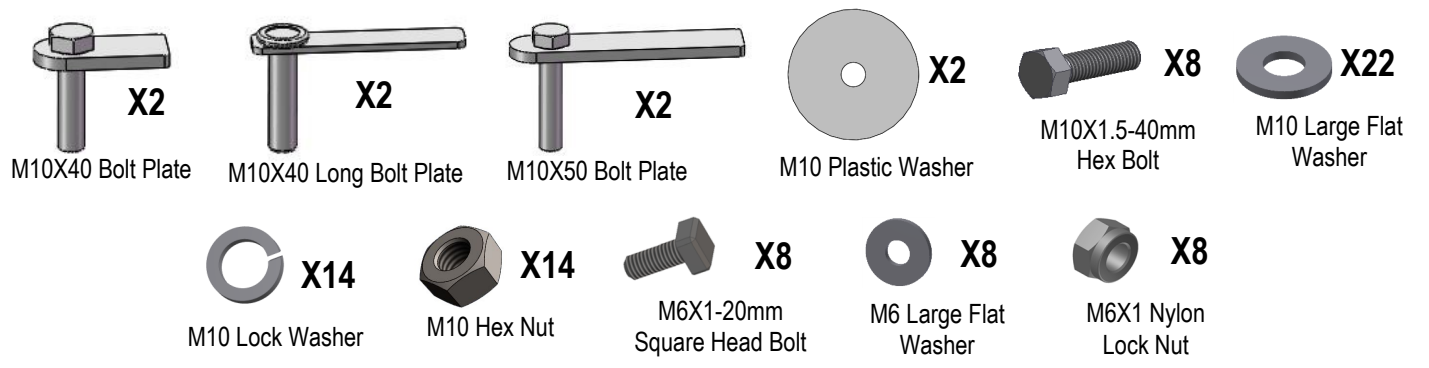
Fastener Size	Tightening Torque (ft-lbs)
6mm	6-7
8mm	16-18
10mm	31-32
12mm	56-58
14mm	92-94

PART LIST



Customer Support: info@iboardauto.com

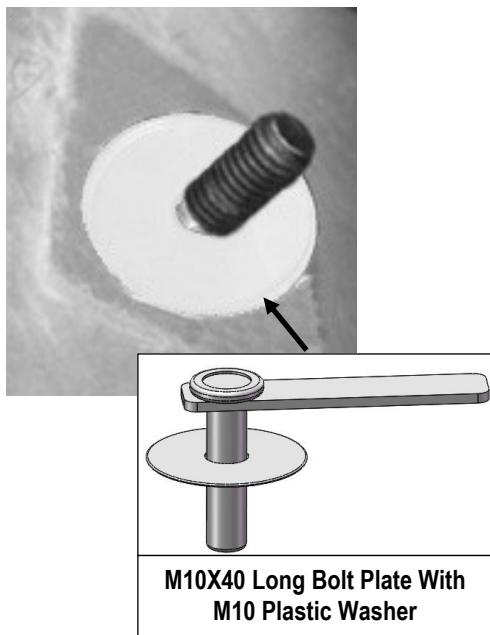
iBoard®



STEP 1

Start installation from the driver side front of the vehicle. From underneath of the vehicle, insert (1) M10x40 Long Bolt Plate with M10 Plastic Washer into the factory hole on the side body panel, (Fig 1).

IMPORTANT! The Plastic Washer is designed to prevent the Bolt Plate from falling into the body cavity and to aid in mounting the Bracket.

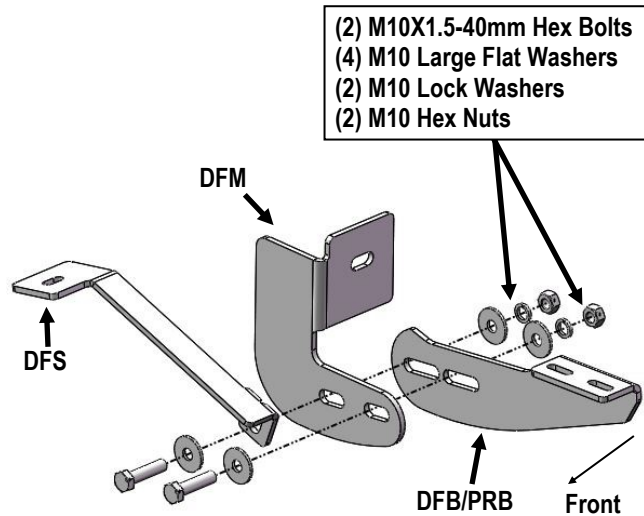


(Fig 1) Driver Side Front Mounting Location Pictured

STEP 2

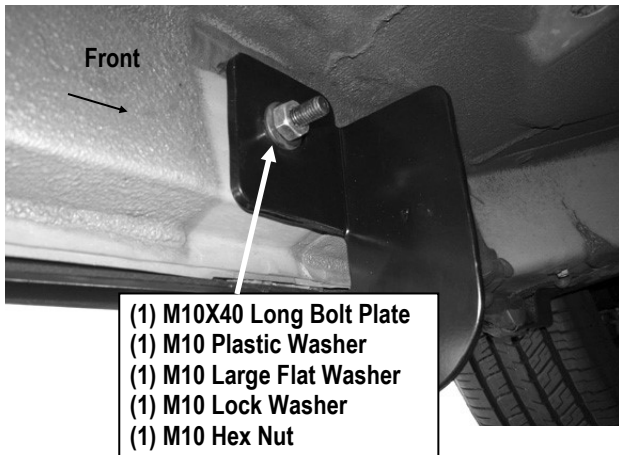
Select (1) Driver Front Mounting Bracket (DFM), (1) Driver Front Support Bracket (DFS) and (1) Driver Front Bar Bracket (DFB/PRB), assemble with (2) M10X1.5-40mm Hex Bolts, (4) M10 Large Flat Washers, (2) M10 Lock Washers and (2) M10 Hex Nuts, (Fig 2). Do not fully tighten the hardware at this time.

Carefully place the assembled driver side front Bracket over the already inserted M10x40 Long Bolt Plate and secure it using the included (1) M10 Large Flat Washer, (1) M10 Lock Washer and (1) M10 Hex Nut, (Fig 3). Do not fully tighten the hardware at this time.

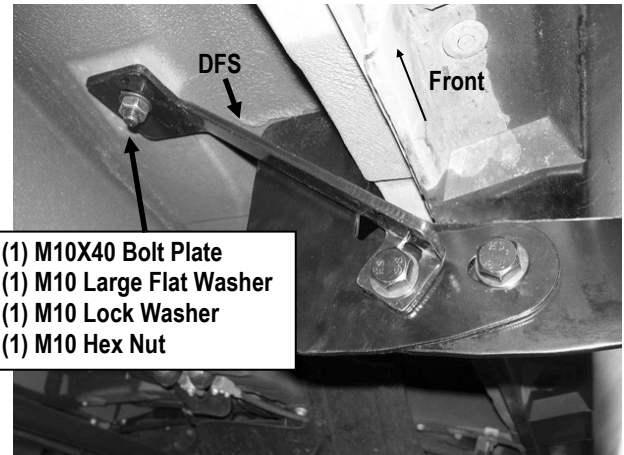


(Fig 2) Driver Side Front Mounting Bracket Assembly

iBoard®



(Fig 3) Driver Side Front Mounting Bracket Installation

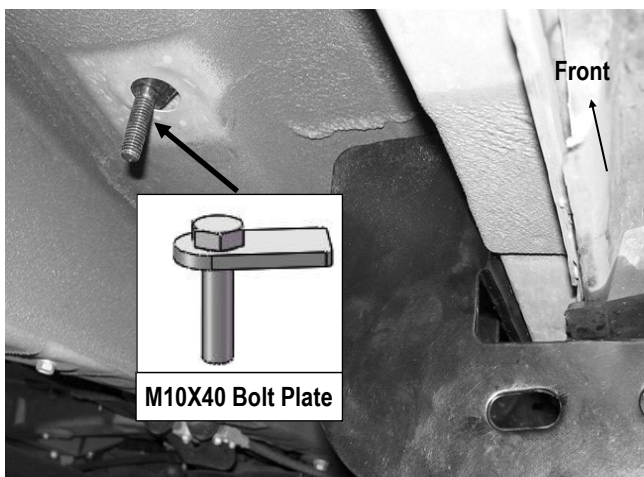


(Fig 5) Driver Side Front Support Bracket Installation

STEP 3

Locate the upper hole in the floor panel and insert (1) M10X40 Bolt Plate, (Fig 4).

Partially hang the Driver Front Support Bracket from the M10X40 Bolt Plate with (1) M10 Large Flat Washer, (1) M10 Lock Washer and (1) M10 Hex Nut, (Fig 5). Do not fully tighten the hardware at this time.

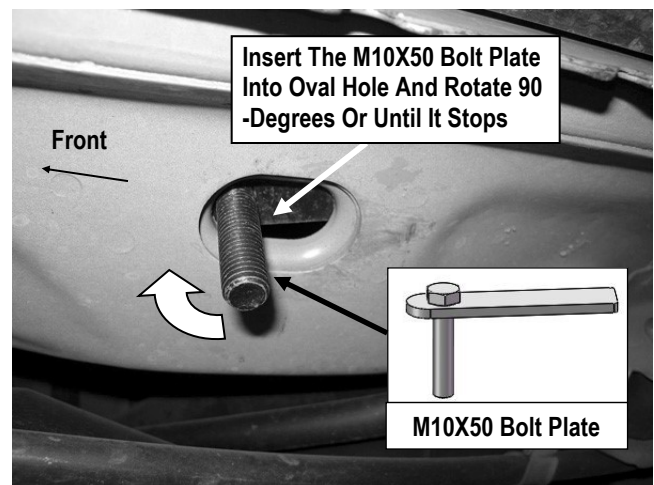


(Fig 4) Insert (1) M10X40 Bolt Plate

STEP 4

Move to the driver side rear of the vehicle. Insert (1) M10X50 Bolt Plate into factory oval hole in the floor panel, (Fig 6).

Rotate the Bolt Plate 90-degrees or until it stops spinning to properly support both sides of the flat surface on the Bolt Plate.



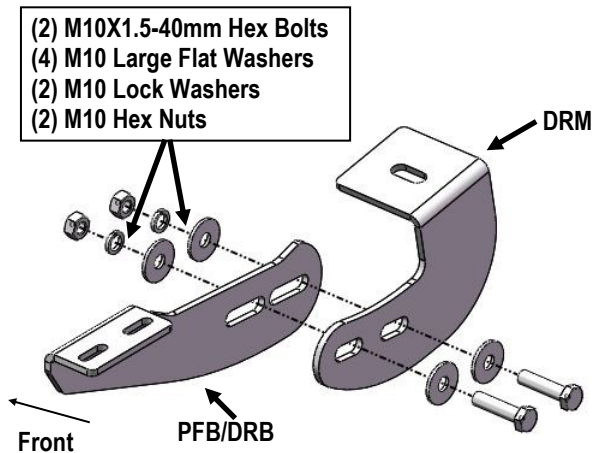
(Fig 6) Driver Side Rear Mounting Location Pictured

iBoard®

STEP 5

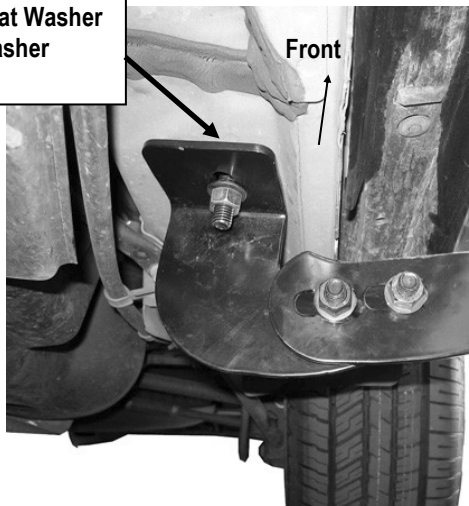
Repeat **Step 2** for (1) Driver Rear Mounting Bracket (**DRM**), and (1) Driver Rear Bar Bracket (**PFB/DRB**) assemble, (**Fig 7**).

Partially hang the assembled driver side rear Bracket from the previously inserted M10x50 Bolt Plate using the included (1) M10 Large Flat Washer, (1) M10 Lock Washer and (1) M10 Hex Nut, (**Fig 8**). Do not fully tighten the hardware at this time.



(Fig 7) Driver Side Rear Brackets Assembly

- (1) M10X50 Bolt Plate
- (1) M10 Large Flat Washer
- (1) M10 Lock Washer
- (1) M10 Hex Nut



(Fig 8) Driver Side Rear Mounting Bracket Installation

STEP 6

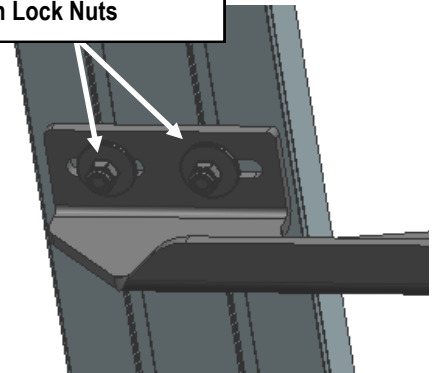
Select a Running Board. Slip (2) M6X1-20mm Square Head Bolts into each bottom channel (**Fig 9**). Carefully position the Running Board onto the (2) Mounting Brackets.

IMPORTANT: Do not slide the Running Board on the Brackets or the bottom surface of the board will be damaged. Attach the Running Board to each Mounting Bracket with (2) M6x1-20mm Square Head Bolts, (2) M6 Large Flat Washers and (2) M6 X1 Nylon Lock Nuts (**Fig 10**). Do not fully tighten at this time.



(Fig 9) Slip M6X1-20mm Square Head Bolts Into The Bottom Channels

- (2) M6X1-20mm Square Head Bolts
- (2) M6 Large Flat Washers
- (2) M6X1 Nylon Lock Nuts



(Fig 10) Running Board Installed Onto the Mounting Bracket

iBoard®

STEP 7

Level and adjust the Running Board and fully tighten all hardware.

STEP 8

Repeat **Steps 1-7** for other side Running Board installation. The installation is completed (**Fig 11**).



(Fig 11) Installation Completed

Attention

Do periodic inspections to the installation to make sure that all hardware is secure and tight.

In order to protect your bars/boards, please use only mild soap/non-abrasive products for cleaning.