

iBoard®

iBoard® by APS

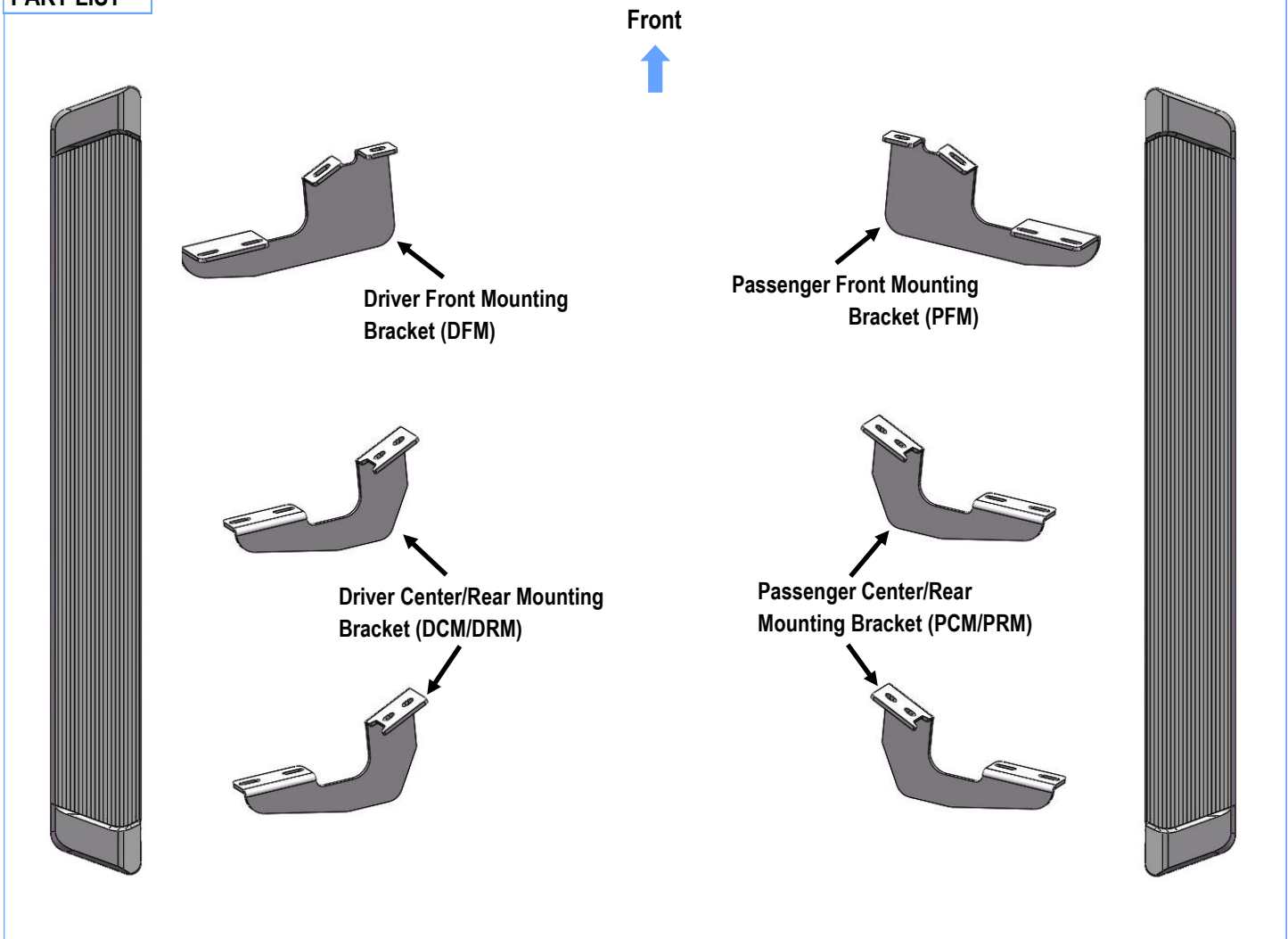
PART#: IB-R058A_B

READ INSTRUCTIONS CAREFULLY BEFORE STARTING INSTALLATION. REMOVE CONTENTS FROM BOX AND VERIFY ALL PARTS ARE PRESENT. ASSISTANCE IS RECOMMENDED.

*ROCKER PANEL MOUNT
*NO DRILLING REQUIRED

| Fastener Size | Tightening Torque (ft-lbs) |
|---------------|----------------------------|
| 6mm | 6-7 |
| 8mm | 16-18 |
| 10mm | 31-32 |
| 12mm | 56-58 |
| 14mm | 92-94 |

PART LIST



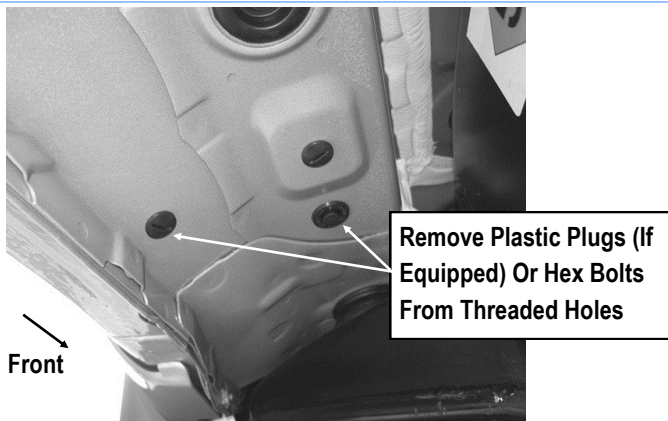
Customer Support: info@iboardauto.com

iBoard®



STEP 1

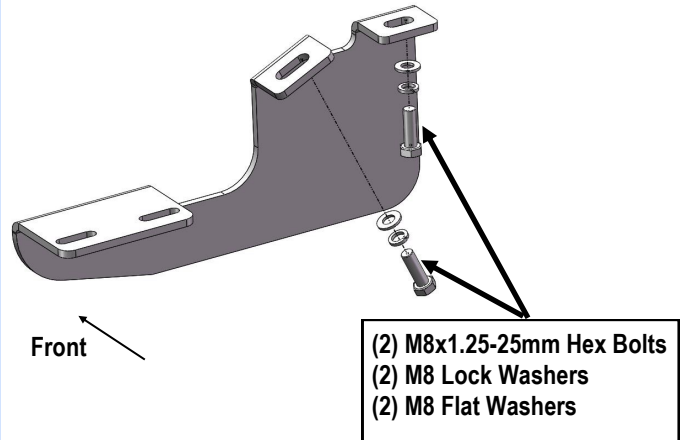
Start installation from the driver side front of the vehicle, remove the existing (2) factory bolts, (or plastic plugs) (**Fig 1**). This will be the mounting location for the Driver Front Mounting Bracket.



(Fig 1) Driver Side Front Mounting Location

STEP 2

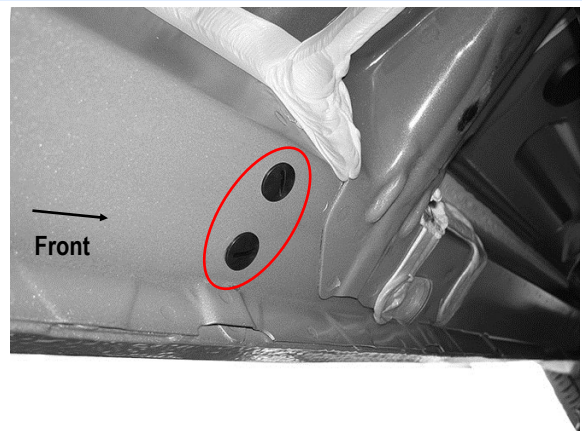
Select the Driver Front Mounting Bracket (**DFM**), attach the Bracket to the vehicle using the included (2) M8x1.25-25mm Hex Bolts, (2) M8 Lock Washers and (2) M8 Flat Washers, (**Fig 2**). Do not fully tighten hardware at this time.



(Fig 2) Driver Front Mounting Bracket Installed

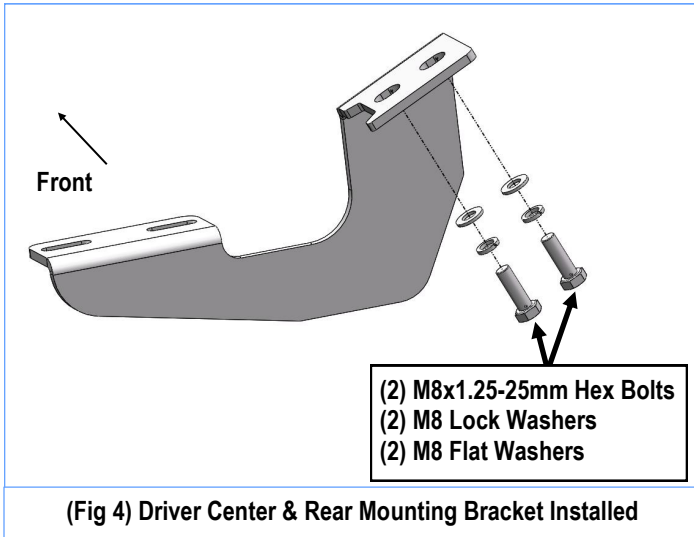
STEP 3

Move along the side panel to the Driver Side Center and Rear Mounting Locations, (**Fig 3**). Repeat **Step 1 & 2** to install the Driver Center & Rear Mounting Brackets, (**Fig 4**).



(Fig 3) Example of Driver Side Center & Rear Mounting Location

iBoard®

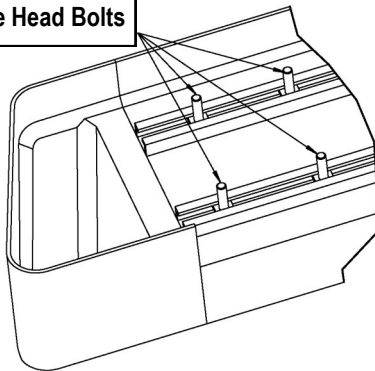


STEP 4

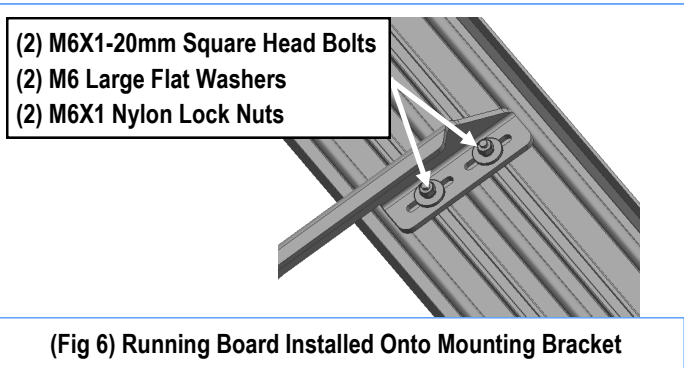
Select a Running Board. Slip (3) M6x1-20mm Square Head Bolts into each bottom channel (Fig 5). Carefully position the Running Board onto the (3) Mounting Brackets.

IMPORTANT: Do not slide the Running Board on the Brackets or the bottom surface of the board will be damaged. Attach the Running Board to each Mounting Bracket with (2) M6x1-20mm Square Head Bolts, (2) M6 Large Flat Washers and (2) M6 X1 Nylon Lock Nuts (Fig 6). Do not fully tighten at this time.

M6X1-20mm Square Head Bolts



(Fig 5) Slip M6X1-20mm Square Head Bolts Into The Bottom Channels



STEP 5

Level and adjust the Running Board and fully tighten all hardware. **Important:** Please follow the recommended Tightening Torques shown in the table on page 1. Don't over tighten, or the nuts/bolts will be damaged.

STEP 6

Repeat Steps 1-5 for the other side Running Board installation. The installation is completed (Fig 7).



(Fig 7) Installation Completed

Attention

Do periodic inspections to the installation to make sure that all hardware is secure and tight.

In order to protect your bars/boards, please use only mild soap/non-abrasive products for cleaning.